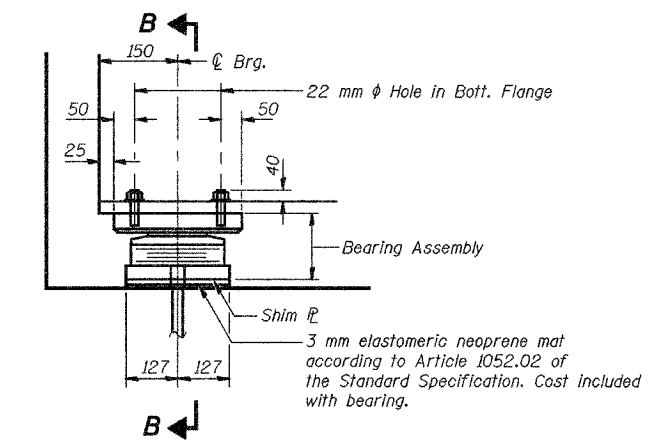


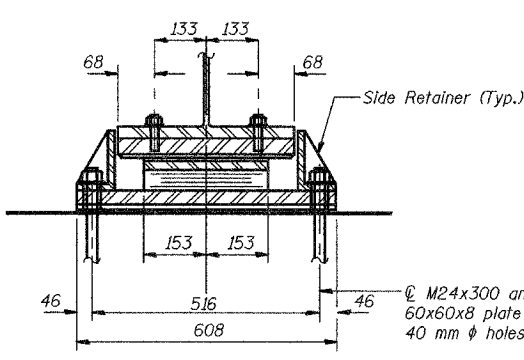
STATE OF ILLINOIS
DEPARTMENT OF TRANSPORTATION

ROUTE NO.	SECTION	COUNTY	TOTAL SHEETS	SHEET NO.
F.A.I. 74	90-13HVB	TAZEWELL	1366	183
FED. ROAD DIST. NO. 7		ILLINOIS	FED. AID PROJECT	

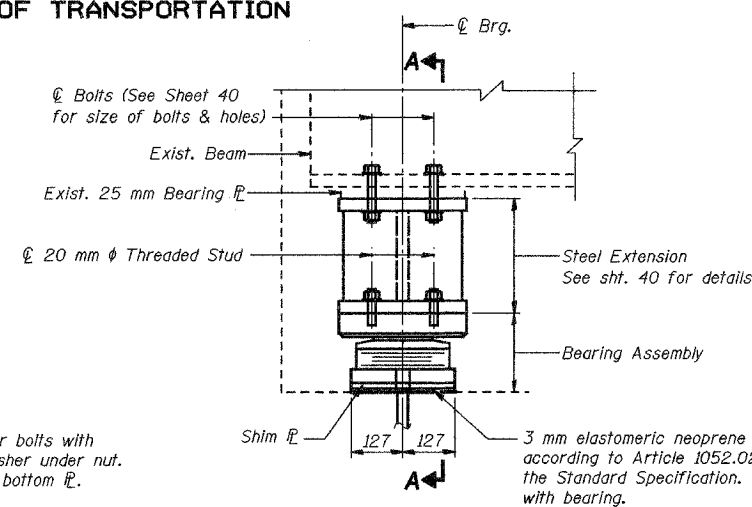
SHEET NO. 35
68 SHEETS



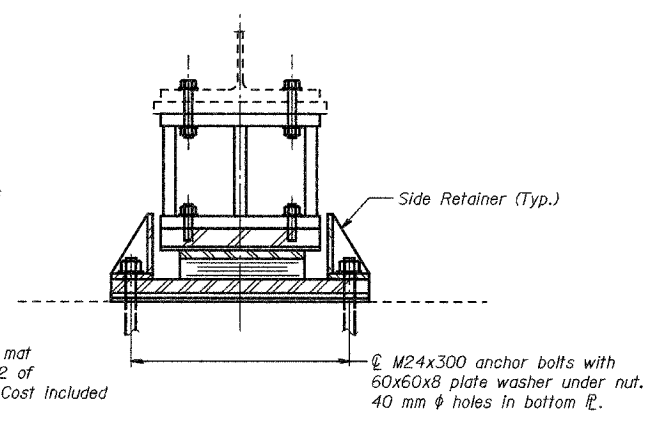
ELEVATION AT ABUTMENTS



SECTION B-B



ELEVATION AT ABUT.



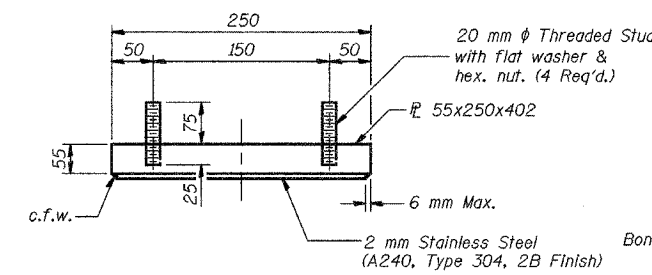
SECTION A-A

TYPE II ELASTOMERIC EXP. BRG. AT ABUTMENTS
(AT NEW BEAM)

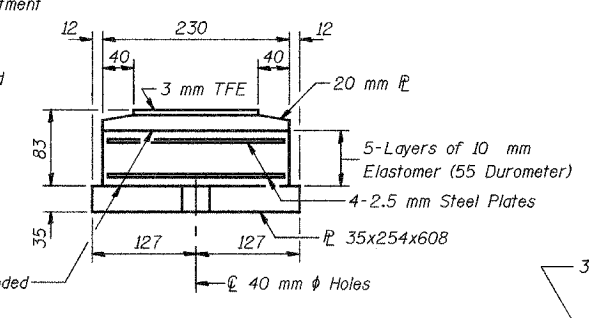
1 Required at North Abutment
1 Required at South Abutment

TYPE II ELASTOMERIC EXP. BRG. AT ABUTMENTS
(AT EXISTING BEAMS)

5 Required at North Abutment
5 Required at South Abutment
(Details not shown are similar to at new beam)

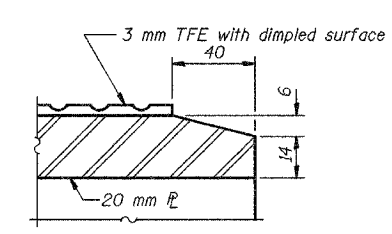


TOP BEARING ASSEMBLY

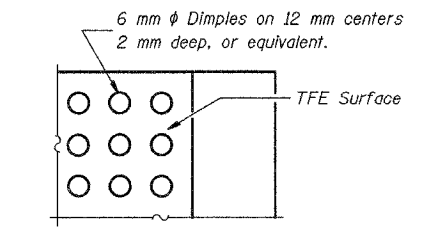


BOTTOM BEARING ASSEMBLY

TYPE II BEARING ASSEMBLY



SECTION THRU TFE

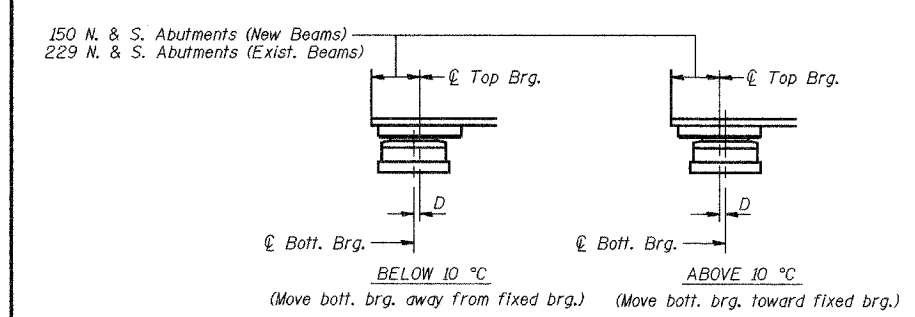


PLAN-TFE SURFACE

- Notes:**
- The cost of furnishing and erecting elastomeric bearing assemblies, including threaded studs, is included in the cost of Elastomeric Bearing Assembly Type II. The cost of furnishing and erecting side retainers, anchor bolts and shim plates of elastomeric bearings is included in the cost of Furnishing and Erecting Structural Steel.
 - Adjusting shims shall be placed as required during erection. The cost of furnishing and erecting adjusting shims is included in the cost of Furnishing and Erecting Structural Steel. See General Note II, Sheet 3.
 - All dimensions are in millimeters (mm) except as noted.
 - The cost of removal of the existing bearings is included in the cost of Jack and Remove Existing Bearings. See sheet 39 for details.

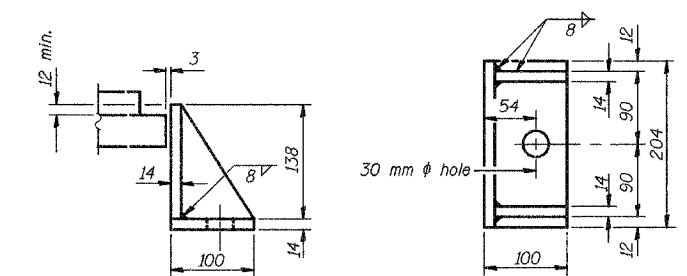
BILL OF MATERIAL

Item	Unit	Total
Elastomeric Bearing Assembly Type II	Each	12



SETTING ANCHOR BOLTS AT EXP. BRG.

D = 1 mm per each 10 m of expansion for every 8 °C temp. change from the normal temp. of 10. °C.



SIDE RETAINER

Equivalent rolled angle with stiffeners will be allowed in lieu of welded plates. Mass Included with Structural Steel.

TYPE II ELASTOMERIC BEARING DETAILS				
Date	Designed	AEU	WESTBOUND F.A.I. ROUTE 74 OVER CAMP STREET, FARM CREEK, AND TP&W RR F.A.I. RTE. 74 SECTION (90-13HVB)BY TAZEWELL COUNTY STATION 153+625.193 STRUCTURE NO. 090-0009	
Revisions	Drawn	SOI		
	Checked	NPP		
	Approved	NPP		
Prepared By:		BRW, Inc. A Division of URS	1701 Golf Rd., Suite 1000 Rolling Meadows, IL.	Sheet No. 35 of 68 BRW Job No. 17049-071