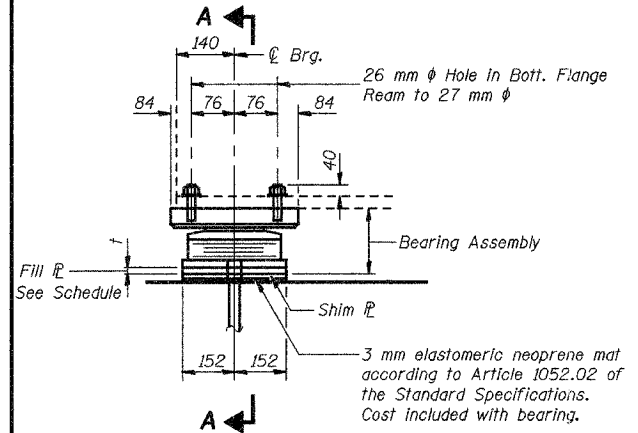


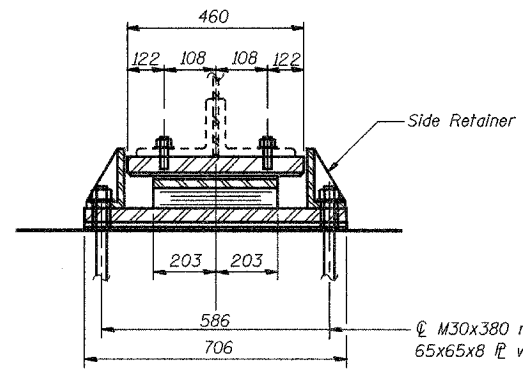
STATE OF ILLINOIS  
DEPARTMENT OF TRANSPORTATION

ROUTE NO.	SECTION	COUNTY	TOTAL SHEETS	SHEET NO.
F.A.I. 74	90-13HVB	TAZEWELL	1366	184
FED. ROAD DIST. NO. 7	ILLINOIS	FED. AID PROJECT		

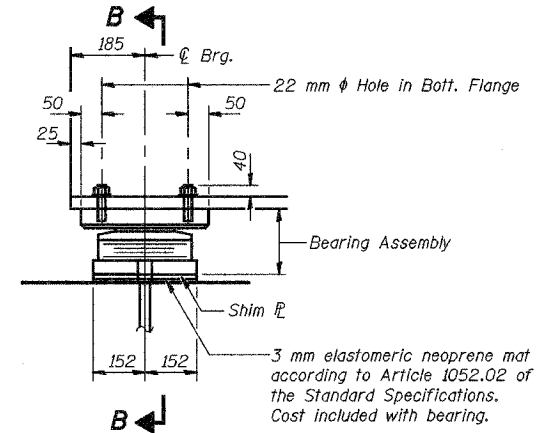
SHEET NO. 36  
68 SHEETS



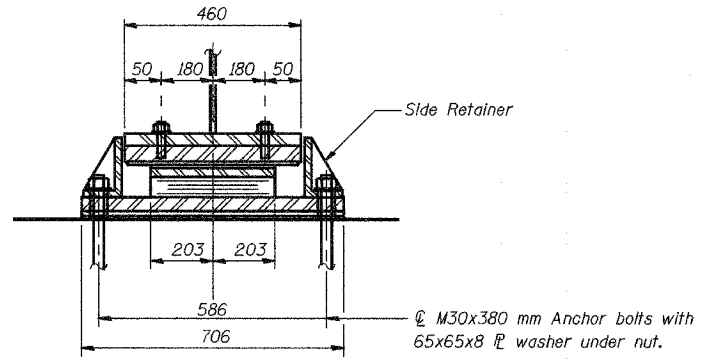
**ELEVATION AT PIER 4 (NORTH)  
AT EXISTING GIRDERS**  
5 Required



**SECTION A-A**



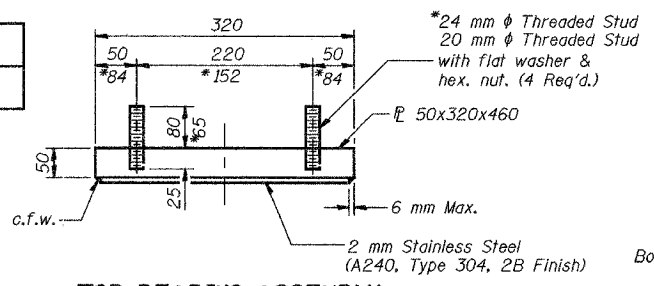
**ELEVATION AT PIER 4 (NORTH)  
AT NEW GIRDER**  
1 Required



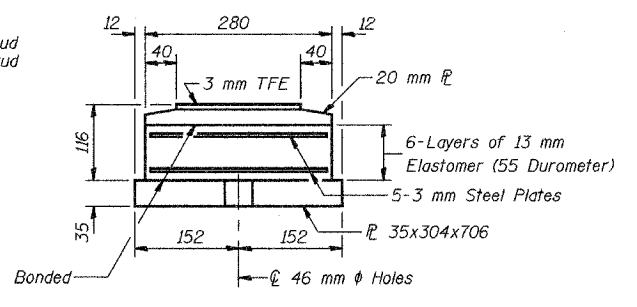
**SECTION B-B**

**FILL P. SCHEDULE**

Girder	2W	3W	4W	5W	6W
t	19	51	43	18	22



**TOP BEARING ASSEMBLY**  
\*Indicates dimensions for existing girders



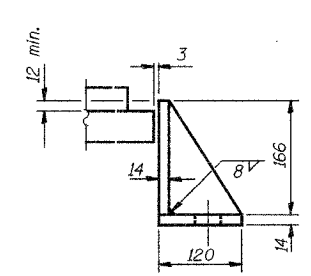
**BOTTOM BEARING ASSEMBLY**

**TYPE II ELASTOMERIC EXP. BRG.**

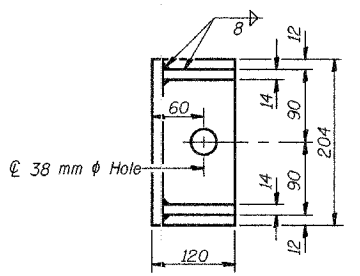
- Notes:
- The 3 mm TFE sheet shall be bonded directly to the top steel plate with a two-component, medium viscosity epoxy resin, conforming to the requirements of the Federal Specification MMM-A-134, Type I. The bond agent shall be applied on the full area of the contact surfaces.
  - Bonding of 3 mm TFE sheet during vulcanizing process will be permitted provided the process and method of adjusting assembly height is approved by the Engineer.
  - See sheet 41 for Anchor Bolt installation.
  - All dimensions are in millimeters (mm) except as noted.
  - The removal of existing bearings at Pier 4 is included in the cost of Removal of Existing Bearings.

**BILL OF MATERIAL**

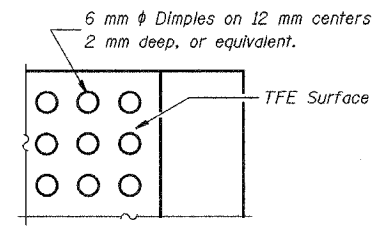
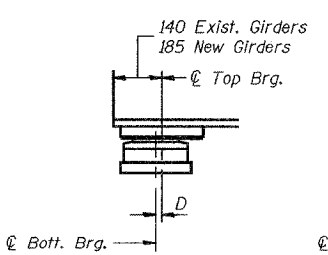
Item	Unit	Total
Elastomeric Bearing Assembly, Type II	Each	6
Removal of Existing Bearings	Each	5



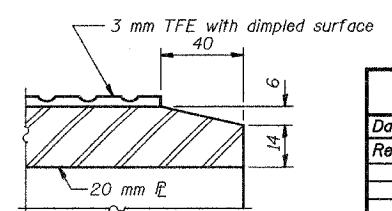
**SIDE RETAINER**  
Equivalent rolled angle with stiffeners will be allowed in lieu of welded plates. Mass included with Structural Steel.



**SETTING ANCHOR BOLTS AT EXP. BRG.**  
D= 1 mm per each 10 m of expansion for every 8 °C temp. change from the normal temp. of 10 °C.



**PLAN-TFE SURFACE**



**SECTION THRU TFE**

**BEARING DETAILS PIER 4 (NORTH)**

Date	Designed AEU	WESTBOUND F.A.I. ROUTE 74 OVER CAMP STREET, FARM CREEK, AND TP&W RR F.A.I. RTE. 74 SECTION (90-13HVB) BY TAZEWELL COUNTY STATION 153+625.193 STRUCTURE NO. 090-0009	Sheet No.
Revisions	Drawn AEU		36
	Checked NPP		of 68
	Approved NPP		
Prepared By:	BRW, Inc. A Division of URS	1701 Golf Rd., Suite 1000 Rolling Meadows, IL.	BRW Job No. 17049-071