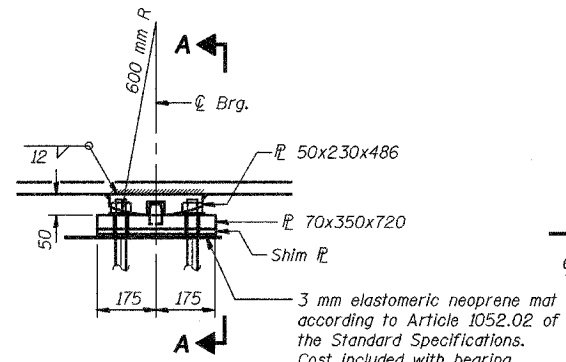


STATE OF ILLINOIS
DEPARTMENT OF TRANSPORTATION

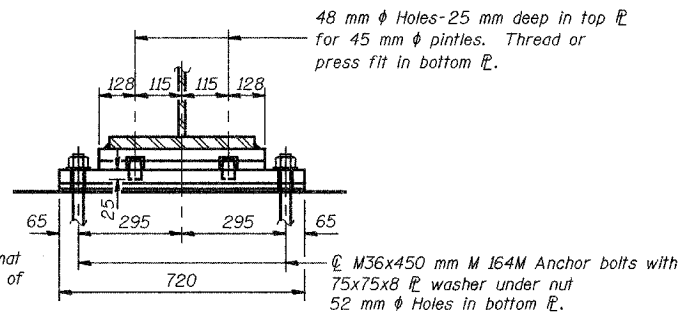
69201

ROUTE NO.	SECTION	COUNTY	TOTAL SHEETS	SHEET NO.
F.A.I. 74	90-13HVBY	TAZEWELL	1366	486
FED. ROAD DIST. NO. 7	ILLINOIS	FED. AID PROJECT		

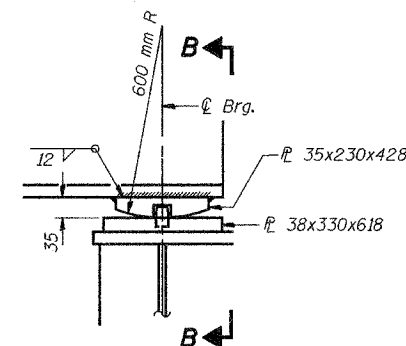
SHEET NO. 38
68 SHEETS



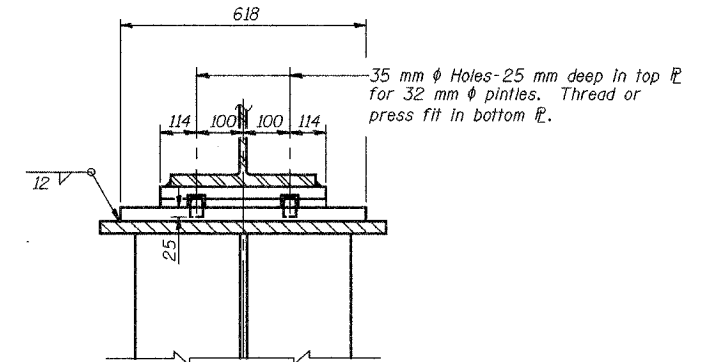
ELEVATION AT PIER



SECTION A-A



ELEVATION AT PIER



SECTION B-B

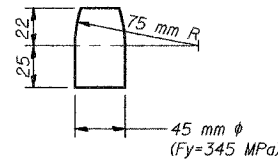
(See sheets 27 & 28 for shelf details)

**FIXED BEARING
AT PIERS 2 AND 6**

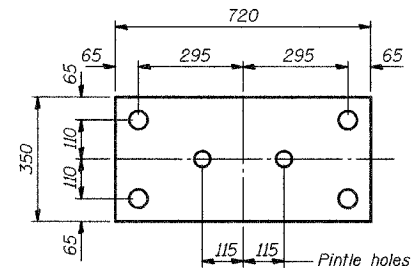
1 Required at Pier 2
1 Required at Pier 6

**FIXED SHELF BEARING
AT PIERS 1 & 7**

1 Required at Pier 1
1 Required at Pier 7

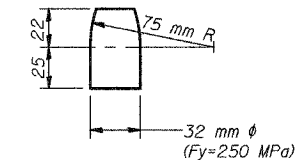


PINTLE



BOTTOM BEARING PLATE DETAIL

(At Piers 2 & 6)



PINTLE

Notes:

- Anchor bolts at fixed bearings may be built into masonry.
- See sht. 41 for Anchor Bolt installation.
- All dimensions are in millimeters (mm) except as noted.
- The existing fixed bearings shall be cleaned and painted. The cost for cleaning and painting shall be included in Cleaning and Painting Steel Bridge.

FIXED BEARING DETAILS			Sheet No.
Date	Designed AEU	WESTBOUND F.A.I. ROUTE 74 OVER CAMP STREET, FARM CREEK, AND TP&W RR F.A.I. RTE. 74 SECTION (90-13HVBY) TAZEWELL COUNTY STATION 153+625.193 STRUCTURE NO. 090-0009	38
Revisions	Drawn AEU		
	Checked NPP		
	Approved NPP		
Prepared By:	BRW, Inc. A Division of URS	1701 Golf Rd., Suite 1000 Rolling Meadows, IL.	BRW Job No. 17049-071