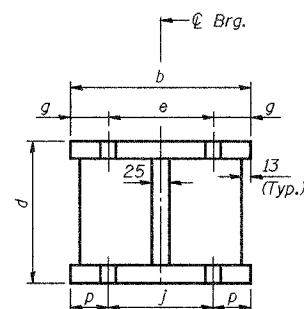


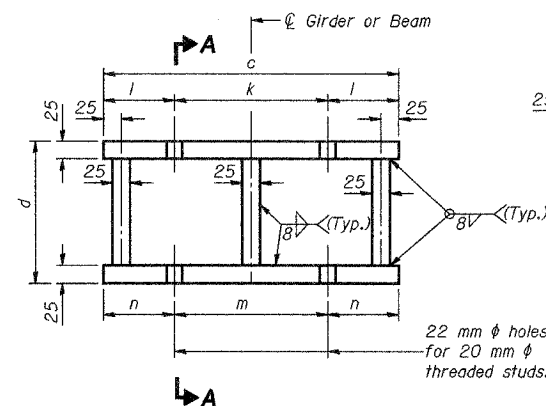
STATE OF ILLINOIS
DEPARTMENT OF TRANSPORTATION

ROUTE NO.	SECTION	COUNTY	TOTAL SHEETS	SHEET NO.
F.A.I. 74	90-13HVB	TAZEWELL	1366	488
FED. ROAD DIST. NO. 7	ILLINOIS	FED. AID PROJECT-		

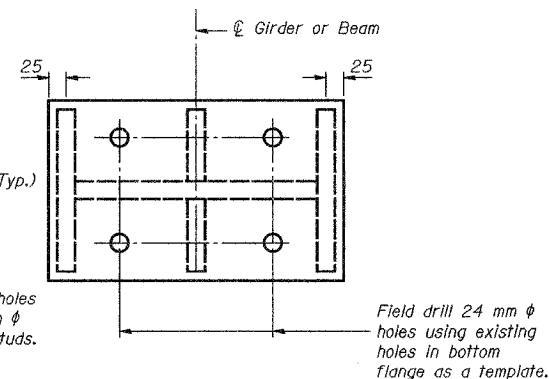
SHEET NO. 40
68 SHEETS



SECTION A-A



ELEVATION STEEL EXTENSION



PLAN STEEL EXTENSION

STEEL EXTENSION DIMENSION SCHEDULE

Location	Girder or beam	b	c	d	e	g	j	k	l	m	n	p	Remarks
N. Abut. & S. Abut.	2W-6W	250	402	165	140	55	150	202	100	266	68	50	Field drill 24 mm ϕ holes in existing bottom flange and 25 mm plate for M22 bolts.
Pier 1	2W-6W	330	416	269	152	89	230	216	100	280	68	50	Use existing 26 mm ϕ holes in existing bottom flange of the Girder to connect steel extensions. Use M22 bolts.
Pier 7	2W-6W	304	416	316	152	76	204	216	100	280	68	50	Use existing 26 mm ϕ holes in existing bottom flange of the Girder to connect steel extensions. Use M22 bolts.
Piers 3 & 5	2W-6W	440	416	246	178	131	340	216	100	280	68	50	Use existing 26 mm ϕ holes in existing bottom flange of the Girder to connect steel extensions. Use M22 bolts.

Note:
Prior to ordering any material the Contractor shall verify in field all bearing heights and shim thickness dimensions.

STEEL EXTENSION DETAILS

Date	Designed NPP	WESTBOUND F.A.I. ROUTE 74 OVER CAMP STREET, FARM CREEK, AND TP&W RR F.A.I. RTE. 74 SECTION (90-13HVB) BY TAZEWELL COUNTY STATION 153+625.193 STRUCTURE NO. 090-0009	Sheet No.
Revisions	Drawn SOI		40
	Checked JPB		of 68
	Approved NPP		
Prepared By: BRW, Inc. A Division of URS		1701 Golf Rd., Suite 1000 Rolling Meadows, IL.	BRW Job No. 17049-071