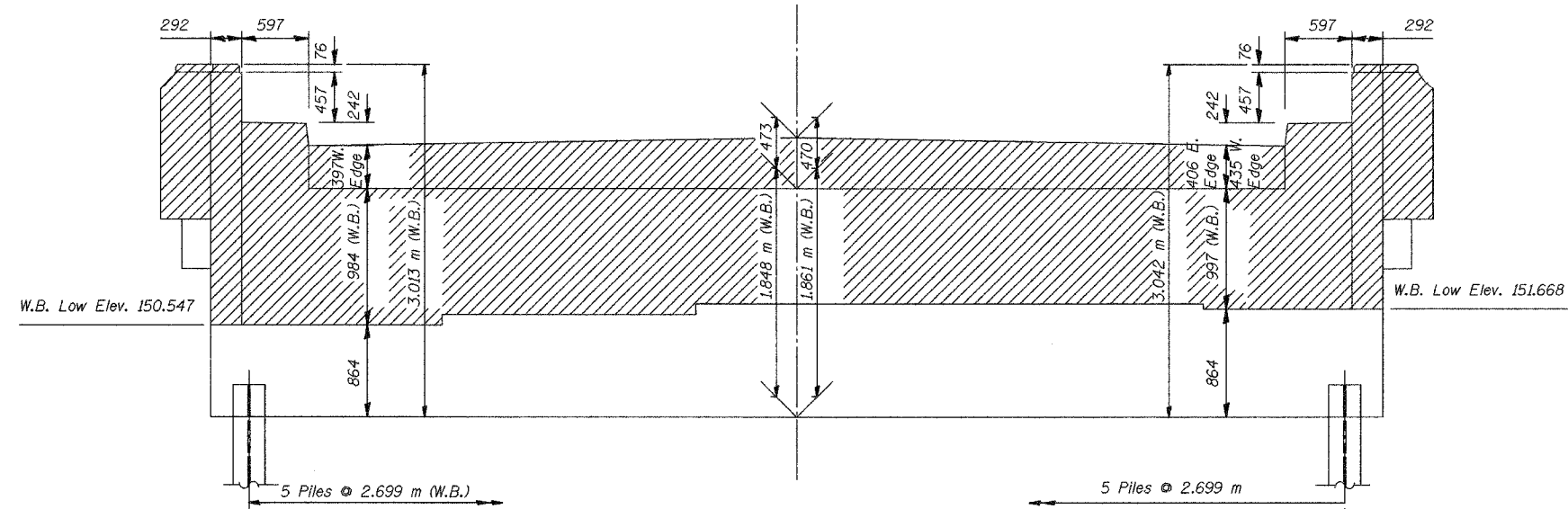


STATE OF ILLINOIS
DEPARTMENT OF TRANSPORTATION

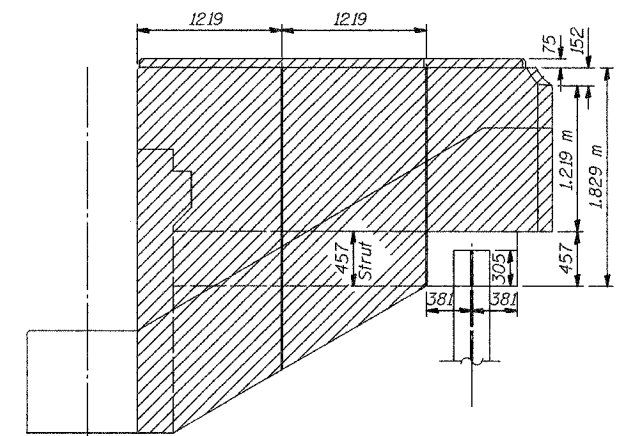
ROUTE NO.	SECTION	COUNTY	TOTAL SHEETS	SHEET NO.
F.A.I. 74	90-13HVBIBY	TAZEWELL	1366	470
FED. ROAD DIST. NO. 7	ILLINOIS	FED. AID PROJECT-		

SHEET NO. 42
68 SHEETS

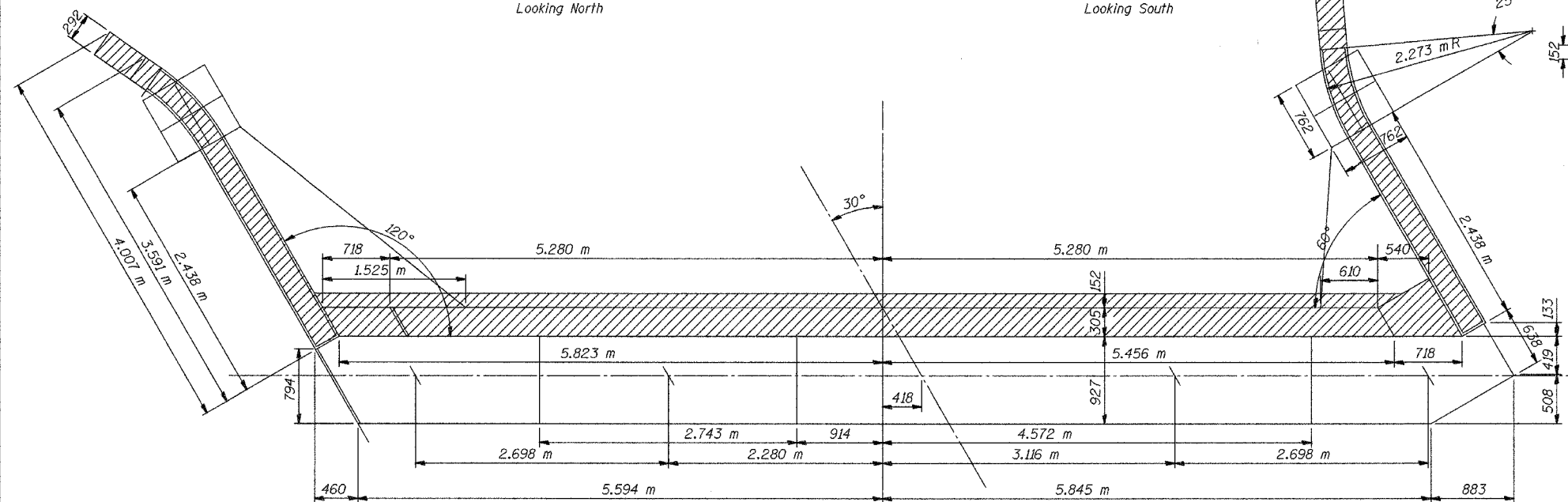


HALF ELEV. OF N. ABUTMENTS
At Right Angles to the ϕ Rdwy.
Looking North

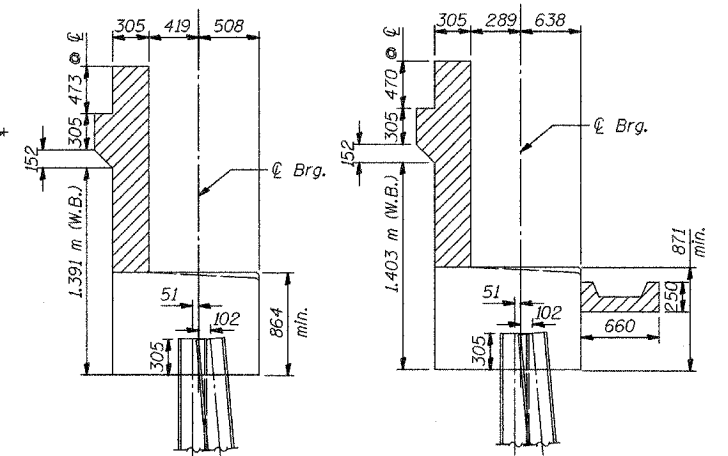
HALF ELEV. OF S. ABUTMENTS
At Right Angles to the ϕ Rdwy.
Looking South



PLAN OF N & S ABUTMENTS



PLAN OF N & S ABUTMENTS



**SEC. A-A
N. ABUTMENT**

**SEC. A-A
S. ABUTMENT**

BILL OF MATERIAL

Item	Unit	Total
Concrete Removal N. Abut.	CU YD	21.7
Concrete Removal S. Abut.	CU YD	26.4

Legend:

Concrete Removal

NOTES:

- Dimensions and Elevations given are based on original design plans and are to be field verified by the Contractor.
- Hatched areas indicate "Concrete Removal".

PARTIAL ABUTMENT REMOVAL DETAILS

Date	Designed	EV	WESTBOUND F.A.I. ROUTE 74 OVER CAMP STREET, FARM CREEK, AND TP&W RR F.A.I. RTE. 74 SECTION (90-13HVBIBY) TAZEWELL COUNTY STATION 153+625.193 STRUCTURE NO. 090-0009	Sheet No.
Revisions	Drawn	EV		42
	Checked	NPP		of 68
	Approved	NPP		
Prepared By: BRW, Inc. A Division of URS			1701 Golf Rd., Suite 1000 Rolling Meadows, IL.	BRW Job No. 17049-071