

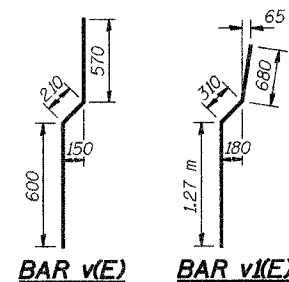
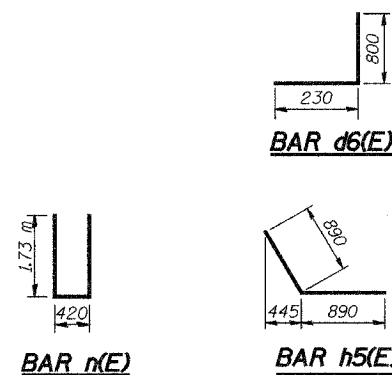
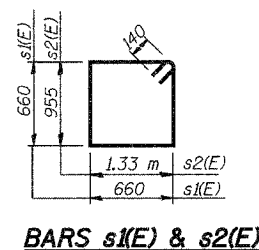
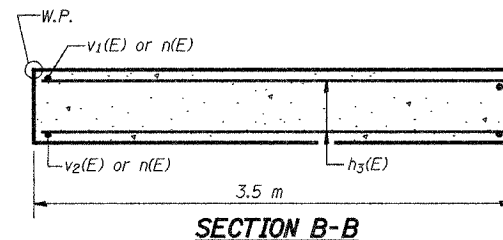
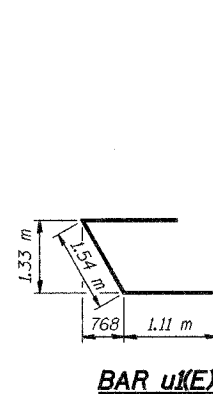
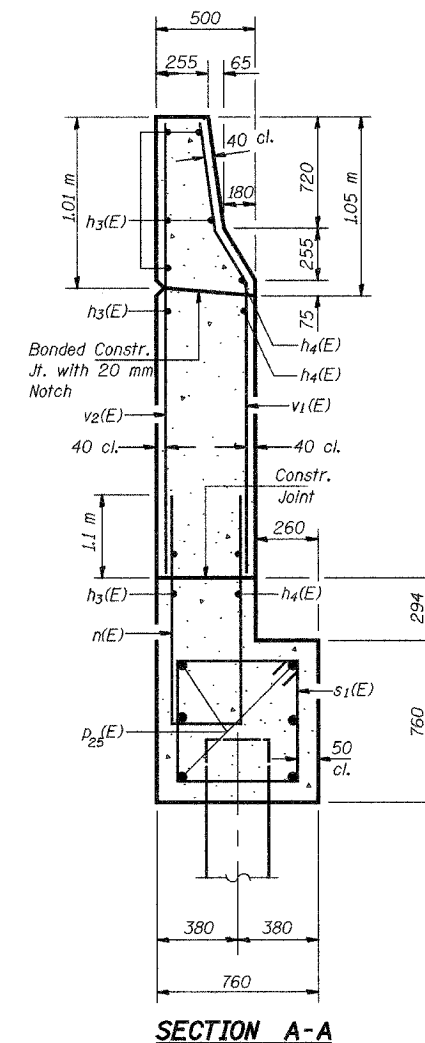
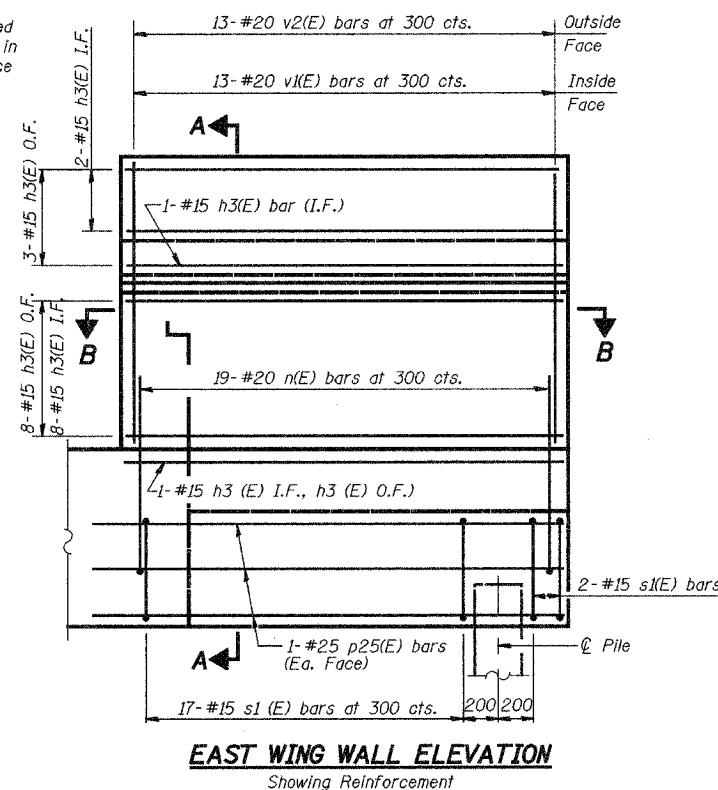
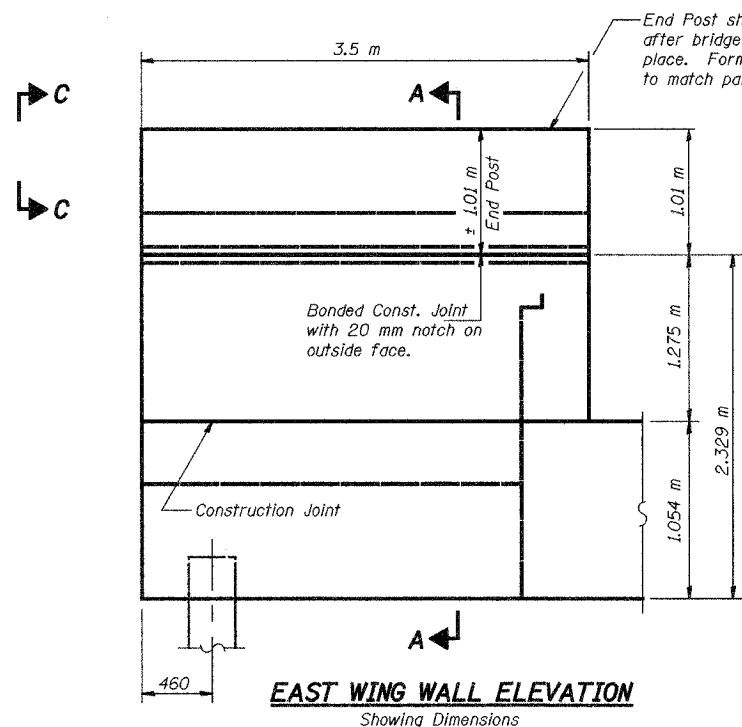
ROUTE NO.	SECTION	COUNTY	TOTAL SHEETS	SHEET NO.
F.A.I. 74	90-13HV(B)BY	TAZEWELL	1366	496
FED. ROAD DIST. NO. 7	ILLINOIS	FED. AID PROJECT-		

SHEET NO. 48
68 SHEETS

STATE OF ILLINOIS
DEPARTMENT OF TRANSPORTATION

ABUTMENT
BILL OF MATERIAL

Bar	No.	Size	Length (m)	Shape
d5(E)	9	#20	1.0	
d6(E)	84	#20	1.03	
n(E)	12	#20	7.8	
h2(E)	20	#15	7.7	
h3(E)	24	#15	3.4	
h5(E)	10	#15	1.78	
n(E)	19	#20	3.88	
p(E)	9	#25	3.85	
p2(E)	6	#15	6.9	
p25(E)	6	#25	4.2	
s1(E)	19	#15	2.92	
s2(E)	11	#15	4.85	
u(E)	4	#20	3.76	
v(E)	49	#15	1.33	
v1(E)	13	#20	2.26	
v2(E)	13	#20	2.23	
v4(E)	49	#20	1.1	
v5(E)	49	#15	1.82	
v7(E)	42	#20	1.6	
v28(E)	11	#20	1.8	
Structure Excavation		m ³	36	
Concrete Structures		m ³	20	
Reinforcement Bars, Epoxy Coated		kg	2,240	
Furnishing Steel Piles HP310x79		m	88	
Driving Steel Piles HP310x79		m	88	
Test Pile Steel HP310x79		Each	1	
Bridge Seat Sealer		m ²	15.3	
Bar Splacers		Each	49	



- NOTES:
1. Work this Sheet with Sheets 46 and 47.
 2. See Sheet 47 for Notes.
 3. All dimensions are in millimeters (mm) except as noted.
 4. Reinforcement bars designated (E) shall be epoxy coated.

Date	Designed	EV	WESTBOUND F.A.I. ROUTE 74 OVER CAMP STREET, FARM CREEK, AND TP&W RR F.A.I. RTE. 74 SECTION (90-13HV)BY TAZEWELL COUNTY STATION 153+625.193 STRUCTURE NO. 090-0009	Sheet No.	
Revisions	Drawn	EV		48	of 68
	Checked	NPP			
	Approved	NPP			
Prepared By: BRW, Inc. A Division of URS			1701 Golf Rd., Suite 1000 Rolling Meadows, IL.	BRW Job No. 17049-071	

A-1-D (M)
4-30-99