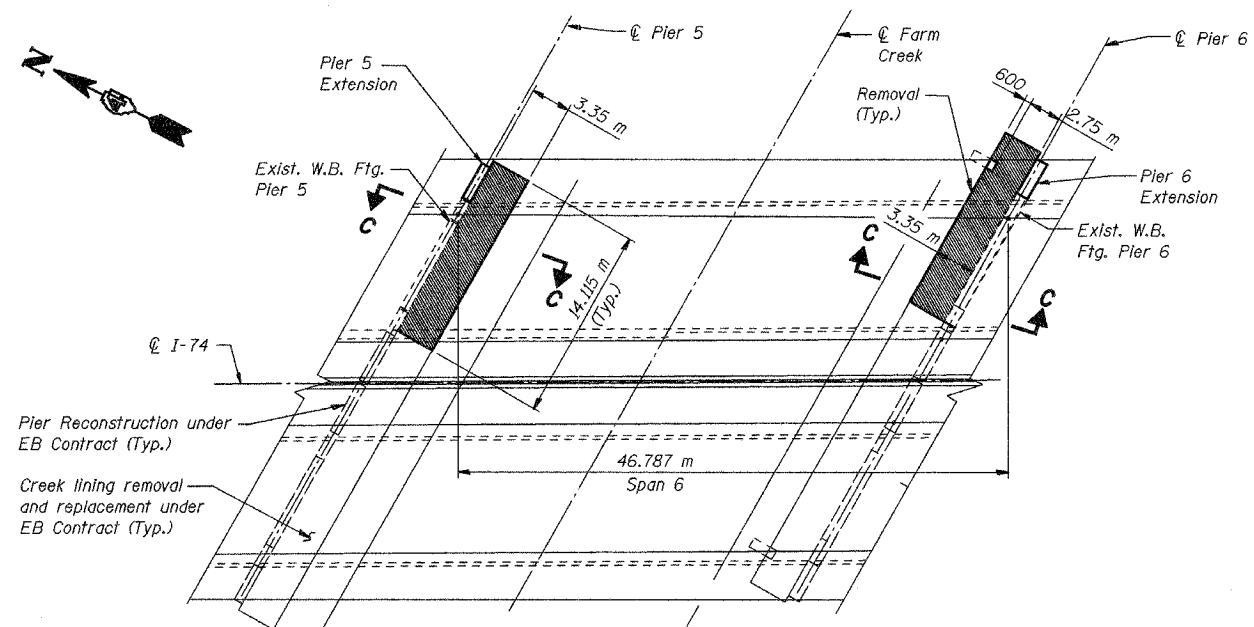


STATE OF ILLINOIS  
DEPARTMENT OF TRANSPORTATION

ROUTE NO.	SECTION	COUNTY	TOTAL SHEETS	SHEET NO.
F.A.I. 74	90-13HVB/BY	TAZEWELL	1310	504
FED. ROAD DIST. NO. 7	ILLINOIS	FED. AID PROJECT		

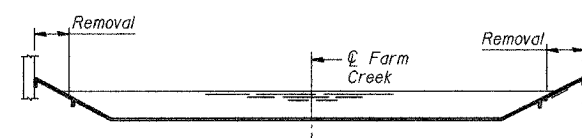
SHEET NO. 56  
68 SHEETS



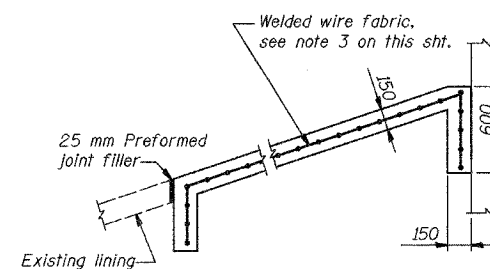
**PLAN**  
**FOR FARM CREEK LINING REMOVAL & REPLACEMENT**

LEGEND

█ Creek lining removal



**ELEVATION**



**SECTION C-C**

NOTES:

1. Work this Sheet with Sheets 55 and 57.
2. All dimensions are in millimeters (mm) except as noted.
3. The new lining at the Farm Creek shall be reinforced with two layers of welded wire fabric 152 x 152 - MW 25.8 x 152 x 152 - MW 25.8, with a mass of 2.91 kg/m. The cost of this work shall be included in the price of pay item "Slopewall 150".

PIER DETAILS			
Date	Designed	EV	WESTBOUND F.A.I. ROUTE 74 OVER CAMP STREET, FARM CREEK, AND TP&W RR F.A.I. RTE. 74 SECTION (90-13HVB)BY TAZEWELL COUNTY STATION 153+625.193 STRUCTURE NO. 090-0009
Revisions	Drawn	EV	
	Checked	NPP	
	Approved	NPP	
	Prepared By:	BRW, Inc. A Division of URS	
		1701 Golf Rd., Suite 1000 Rolling Meadows, IL.	Sheet No. <b>56</b> of 68 BRW Job No. 17049-071