

STATE OF ILLINOIS
DEPARTMENT OF TRANSPORTATION

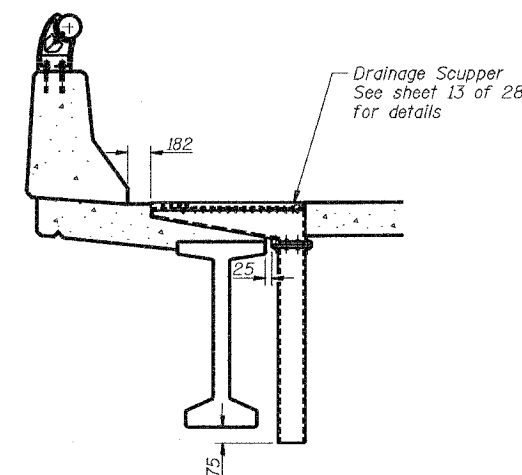
68203

ROUTE NO.	SECTION	COUNTY	TOTAL SHEETS	SHEET NO.
F.A.I. 74	(90-14HB)BR	TAZEWELL	136	526
FED. ROAD DIST. NO. 7		ILLINOIS	FED. AID PROJECT-	

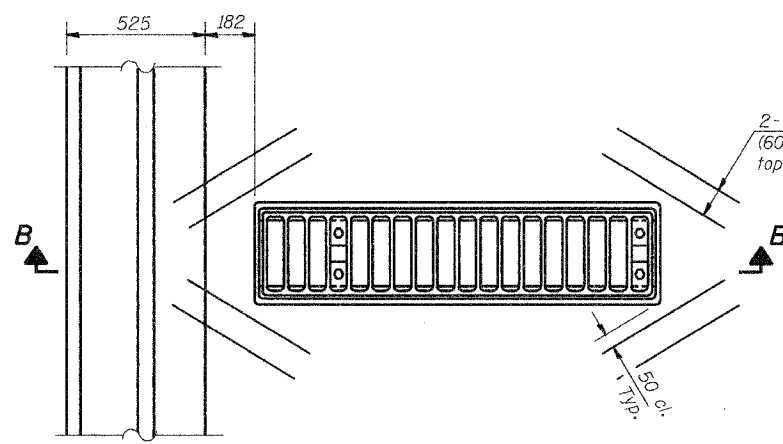
SUPERSTRUCTURE BILL OF MATERIAL

Bar	No.	Size	Length (m)	Shape
a ₂ (E)	718	#15	7.54	—
a ₁₀ (E)	214	#20	1.20	—
a ₁₁ (E)	16	#15	0.60	—
a ₁₂ (E)	360	#15	8.60	—
a ₁₃ (E)	358	#15	9.00	—
b(E)	436	#15	8.45	—
b ₁ (E)	52	#25	15.50	—
b ₂ (E)	470	#15	6.86	—
d(E)	9	#15	1.27	—
d ₁ (E)	12	#15	1.38	—
d ₂ (E)	221	#15	0.97	—
d ₃ (E)	202	#15	1.51	—
d ₄ (E)	54	#15	0.64	—
d ₅ (E)	3	#15	1.27	—
e(E)	18	#15	8.14	—
e ₁ (E)	12	#15	4.90	—
e ₂ (E)	24	#15	7.98	—
e ₃ (E)	6	#25	8.48	—
e ₄ (E)	4	#25	4.90	—
e ₅ (E)	8	#25	8.36	—
e ₆ (E)	6	#15	1.35	—
e ₇ (E)	4	#15	1.40	—
m(E)	4	#20	8.19	—
m ₁ (E)	4	#20	7.79	—
m ₂ (E)	8	#20	8.43	—
m ₃ (E)	8	#20	8.03	—
m ₄ (E)	3	#20	2.96	—
m ₅ (E)	3	#20	3.15	—
m ₆ (E)	21	#20	3.55	—
m ₇ (E)	6	#20	3.10	—
m ₈ (E)	3	#20	2.56	—
m ₉ (E)	2	#20	0.85	—
m ₁₀ (E)	1	#20	1.14	—
m ₁₁ (E)	17	#20	1.94	—
m ₁₂ (E)	4	#20	0.94	—
m ₁₃ (E)	2	#20	1.50	—
m ₁₄ (E)	6	#15	2.00	—
m ₁₅ (E)	24	#15	2.45	—
m ₁₆ (E)	6	#15	1.19	—
m ₁₇ (E)	6	#25	1.86	—
s(E)	105	#15	1.62	—
s ₁ (E)	71	#15	5.02	—
s ₂ (E)	31	#15	4.67	—
v(E)	103	#15	1.19	—

Reinforcement Bars Epoxy Coated	kg	37410
Concrete Superstructure	m ³	300.2
*Bridge Deck Grooving	m ²	1066
**Protective Coat	m ²	1269
Bar Splicers (E)	Each	103

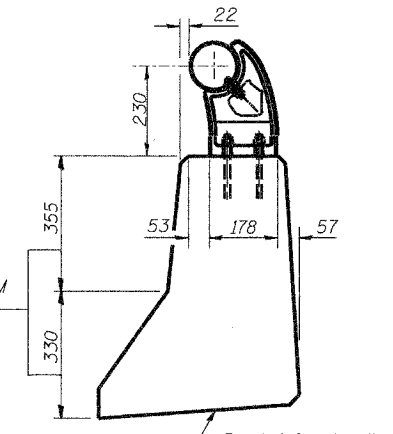


SECTION B-B THRU PARAPET

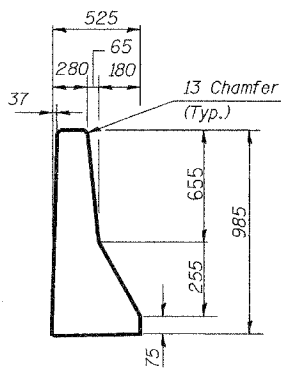


REINFORCEMENT AT DRAINAGE SCUPPER

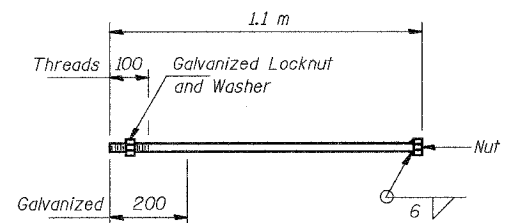
Const. Jts. at Piers
3 mm Aluminum sheet ASTM
B 209M alloy 3003-H14.
Cost Included with Concrete
Superstructure.



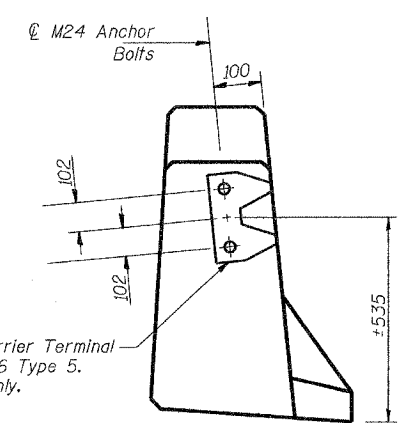
SECTION THRU PARAPET
(Showing Railing Dimensions & Joint Details)



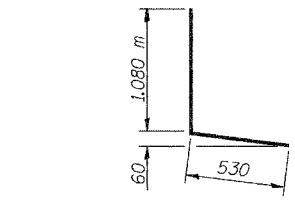
SECTION C-C
(Work this Section with
Approach Pavement Details)



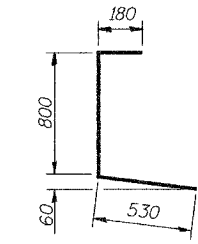
M24 ANCHOR BOLT



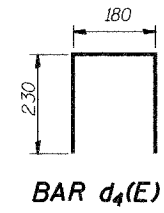
SECTION THRU PARAPET
(Showing Traffic Barrier System at exit end)



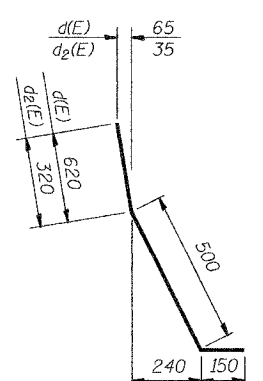
BAR d₁(E)



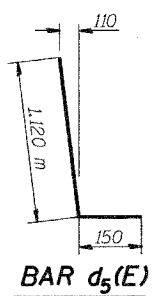
BAR d₃(E)



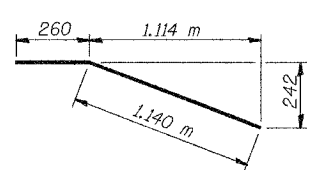
BAR d₄(E)



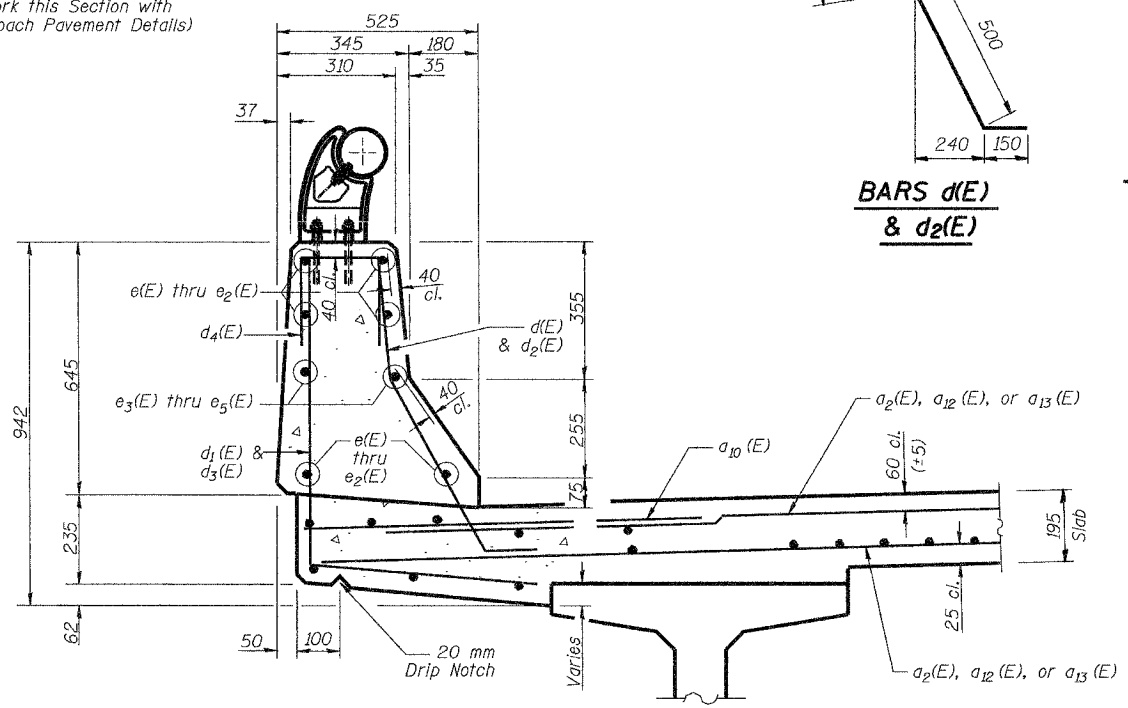
**BARS d₂(E)
& d₅(E)**



BAR d₅(E)



BAR e₇(E)



SECTION THRU PARAPET
(Showing Reinforcement)

Notes:
All dimensions are in millimeters (mm) except as noted.
Reinforcement bars designated (E) shall be epoxy coated.
*Quantity includes portion of Westbound Deck built under previous contract.
**Quantity includes deck, top and inside face of parapet, and inside face of median on westbound side.

SUPERSTRUCTURE DETAILS			
Date	Designed TDN	INTERSTATE 74 AND RAMPS L-1 AND L-4 OVER E. WASHINGTON STREET F.A.I. RTE. 74 SECTION (90-14HB)BR TAZEWELL COUNTY STATION 153+868.540 STRUCTURE NO. 090-0163 (WB)	Sheet No.
Revisions	Drawn BKN		9
	Checked DCS		of 28
	Approved KWB		
Prepared By:	URS 3040 North University Avenue Decatur, IL 62526		URS Job No. 2100001243.01