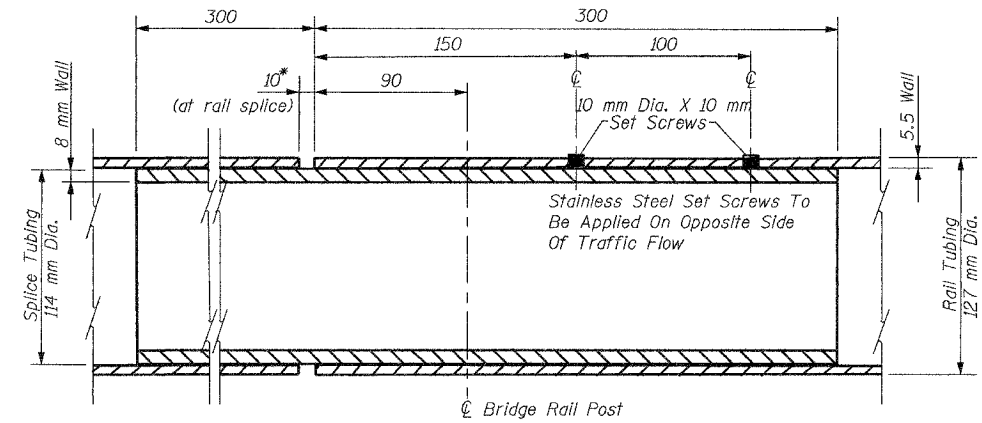
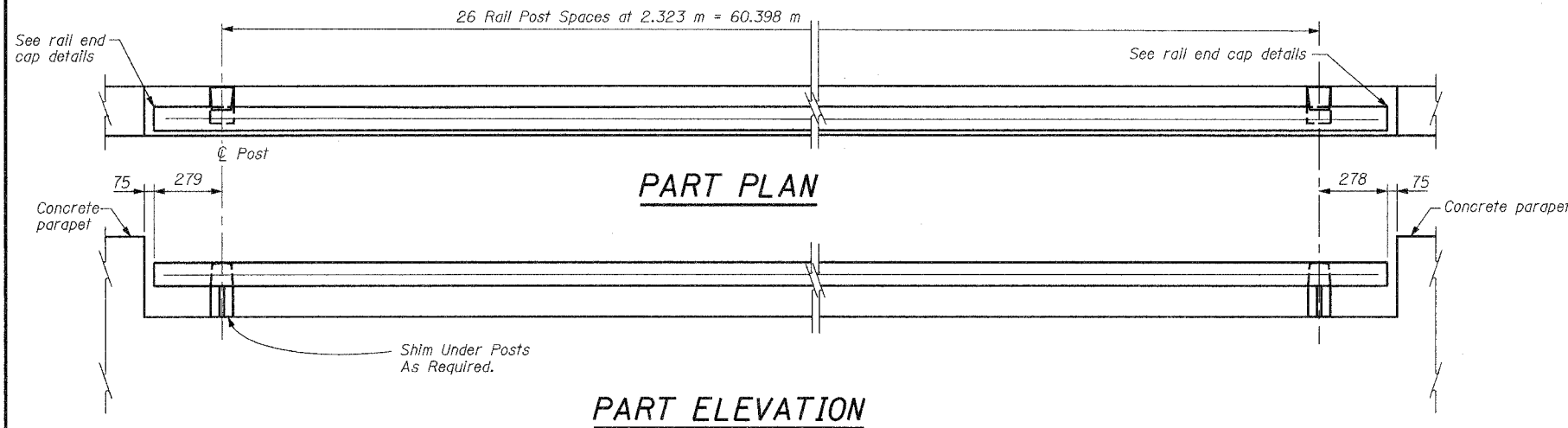
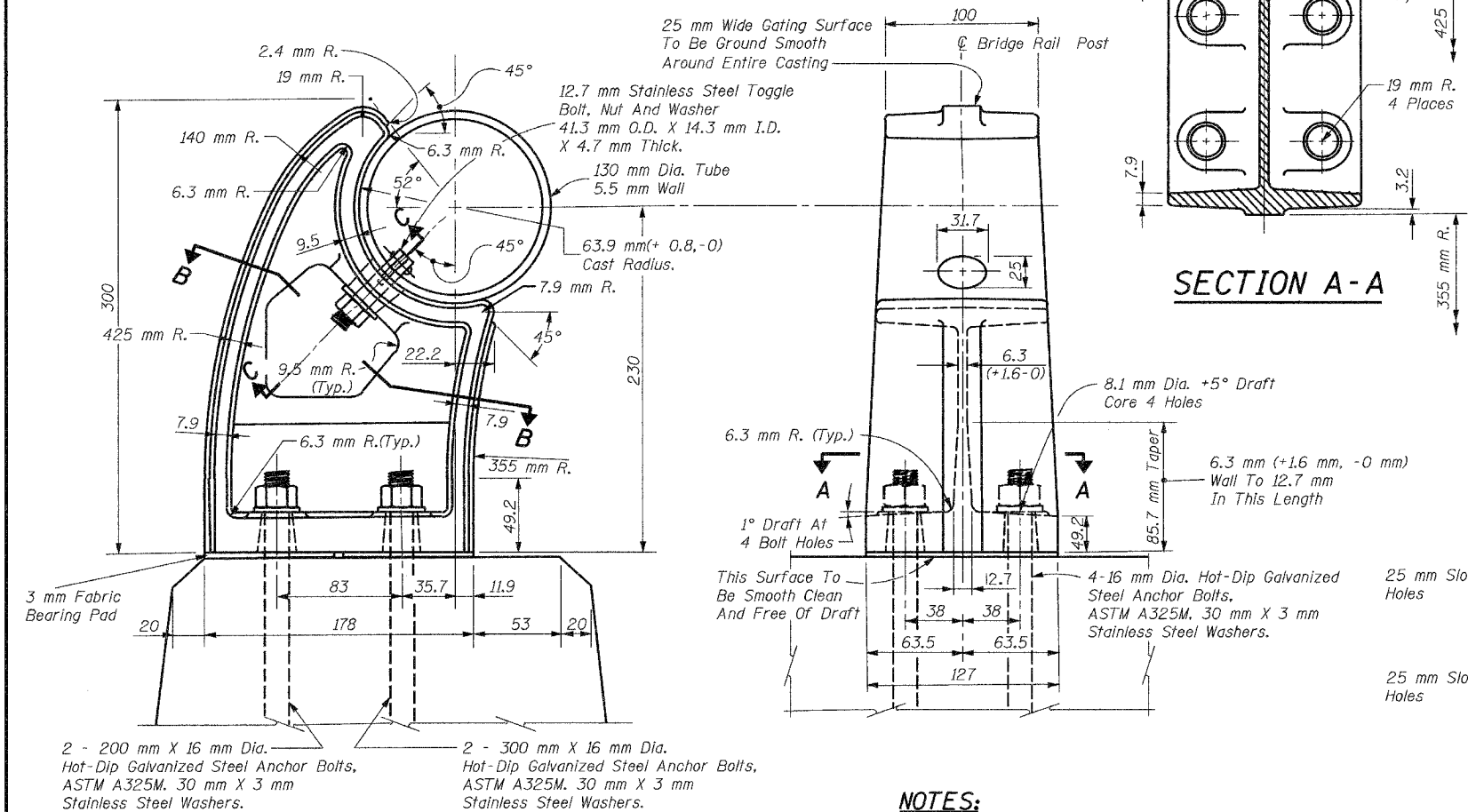


ROUTE NO.	SECTION	COUNTY	TOTAL SHEETS	SHEET NO.
F.A.I. 74	(90-14HB)BR	TAZEWELL	1366	527
FED. ROAD DIST. NO. 7		ILLINOIS	FED. AID PROJECT	



*At bridge expansion joints, match opening of joint in deck.

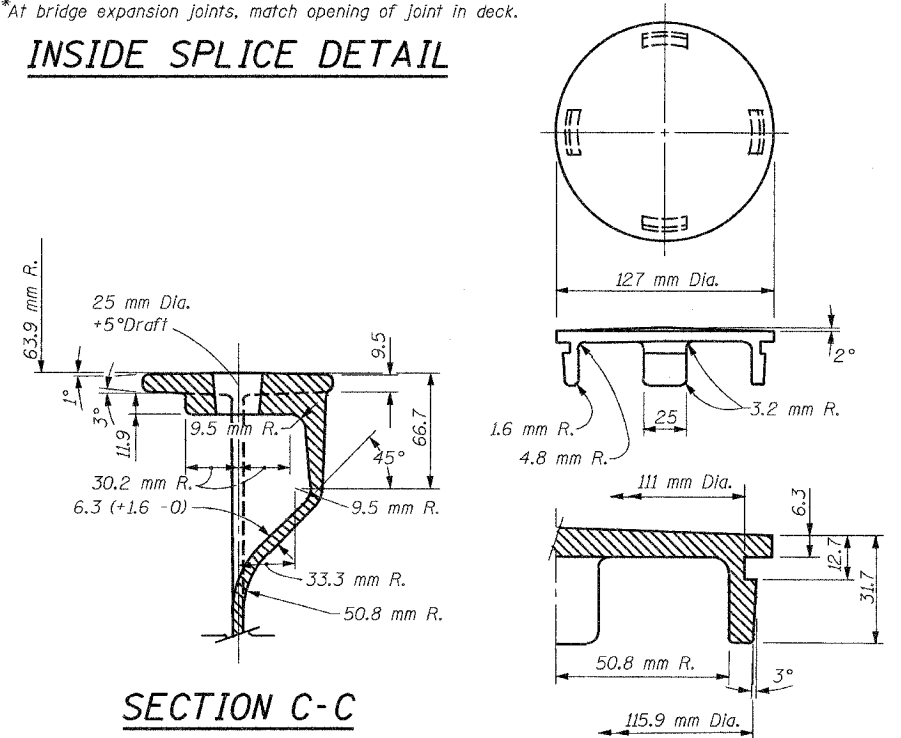
INSIDE SPLICE DETAIL



RAILING DETAILS

NOTES:

- Railing to conform to vertical and horizontal alignment.
- Joint to be placed 7500 mm center to center, max.
- Slip joint to be placed in panels to match expansion joints in deck.
- Design weight: 9.3 kg, per meter.
- Unless otherwise specified all draft to be 3°.
- All unmarked Radius to be 3 mm R.
- After fabrication, exposed surfaces of aluminum shall be given an anodic oxide coating, dyed black, conforming to the requirements of ASTM designation: B 580, Type B, Architectural Class 1.



RAIL END CAP DETAILS

BILL OF MATERIAL

Item	Unit	Quantity
Aluminum Railing, Type H (Special)	m	61.0

ALUMINUM RAILING, TYPE H (SPECIAL) DETAILS

Date	Designed	INTERSTATE 74 AND RAMPS L-1 AND L-4 OVER E. WASHINGTON STREET F.A.I. RTE. 74 SECTION (90-14HB)BR TAZEWELL COUNTY STATION 153+868.540 STRUCTURE NO. 090-0163 (WB)	Sheet No. 10 of 28
Revisions	Drawn BKN		
	Checked		
	Approved KWB		
Prepared By:	URS	3040 North University Avenue Decatur, IL 62526	URS Job No. 2100001243.01