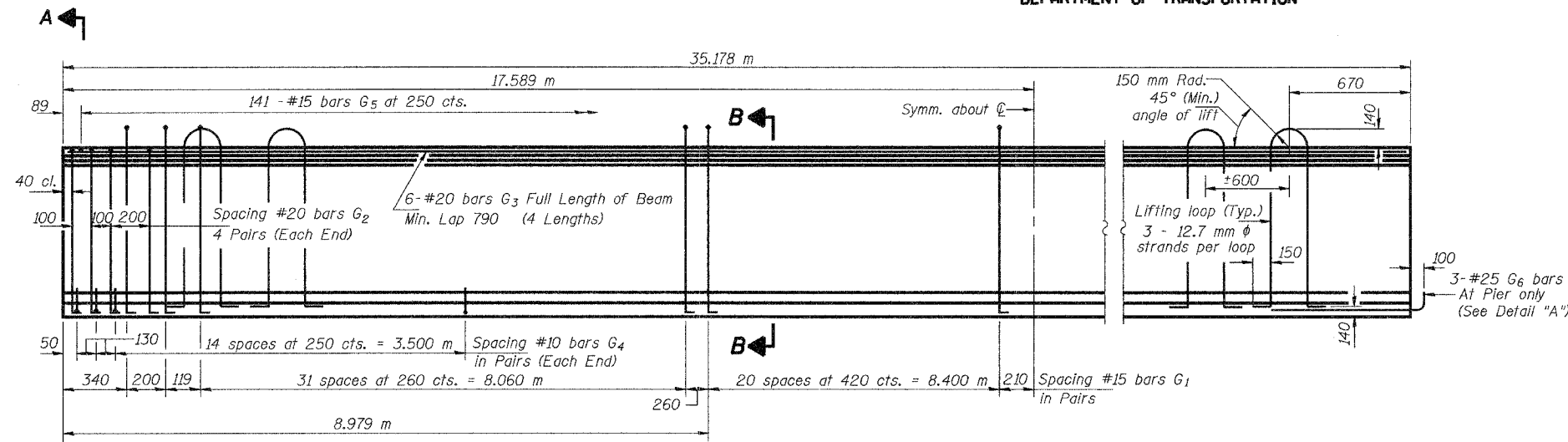


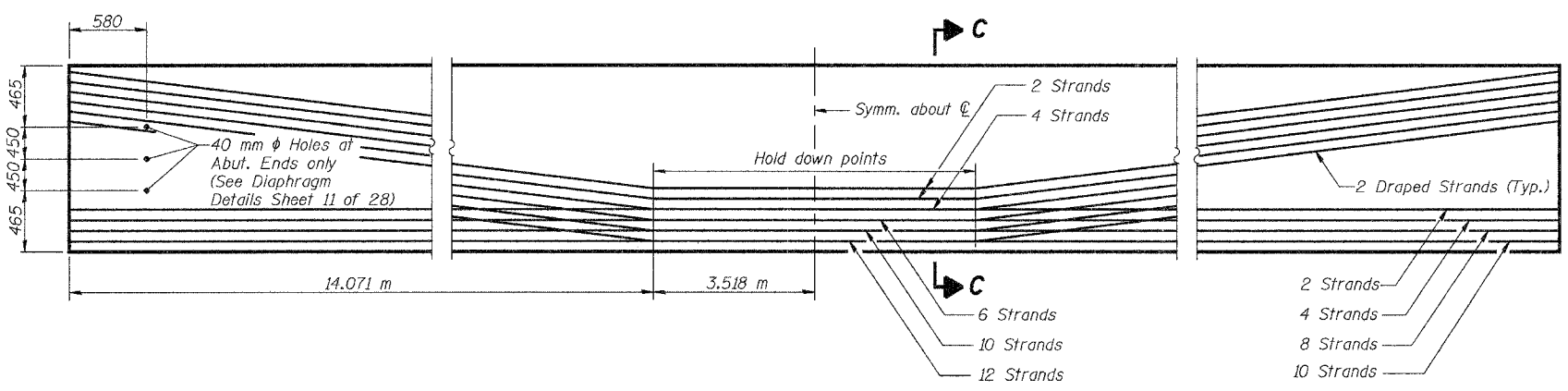
STATE OF ILLINOIS
DEPARTMENT OF TRANSPORTATION

63201

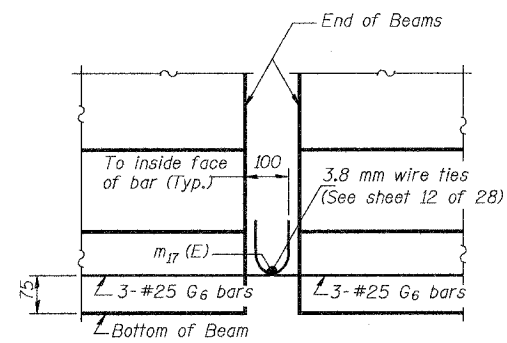
ROUTE NO.	SECTION	COUNTY	TOTAL SHEETS	SHEET NO.
F.A.I. 74	(90-14HB)BR	TAZEWELL	1366	533
FED. ROAD DIST. NO. 7		ILLINOIS	FED. AID PROJECT	



ELEVATION OF BEAM
(Showing Reinforcement & Dimensions)

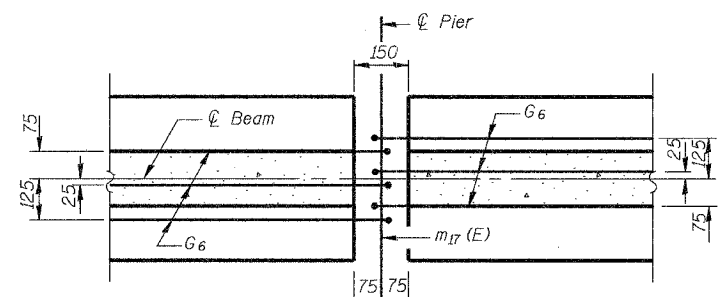


ELEVATION OF BEAM
(Showing Prestressing Steel)



ELEVATION

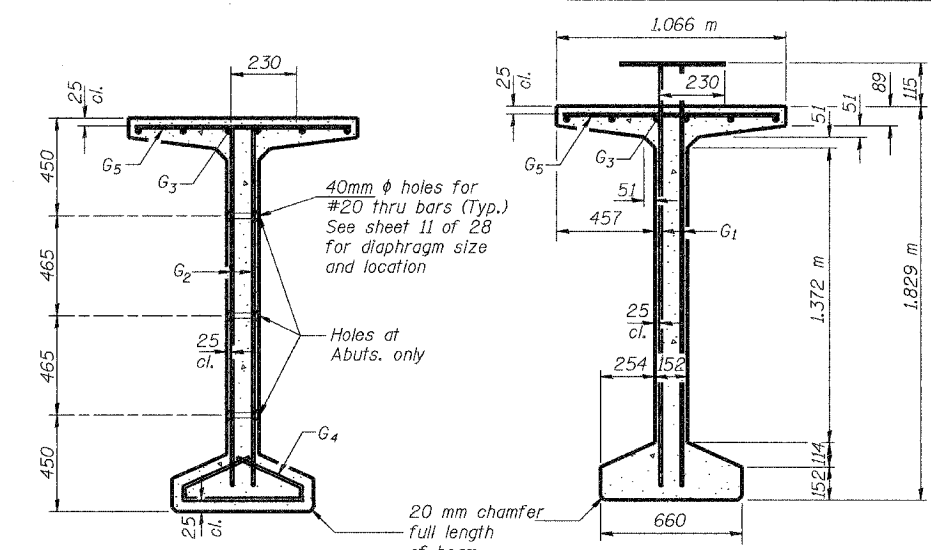
DETAIL "A"



PLAN

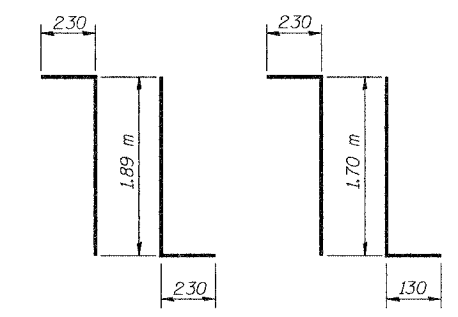
NOTES

All inserts and threaded dowel rods for inserts, reinforcing and Prestressing Steel, and other items which are cast into the Precast Concrete Bulb T-Beams shall be included in the contract unit price per meter of Furnishing and Erecting Precast Prestressed Concrete Bulb T-Beams, 1829 mm.
Prestressing steel shall be uncoated high strength, low relaxation 7-wire strand ($F_u = 1860$ MPa).
The nominal diameter shall be 12.7 mm and the nominal cross-sectional area shall be 98.71 mm².
Non-prestressing steel shall conform to AASHTO designation M-31M or M-322M, Grade 400.
Lifting loops shall be 3 - 12.7 mm ϕ strands ($F_u = 1860$ MPa), as shown. Required release strength, f'_{ci} , shall be 35 MPa.
Reinforcement bars designated (E) shall be epoxy coated.
All dimensions are in millimeters (mm) except as noted.



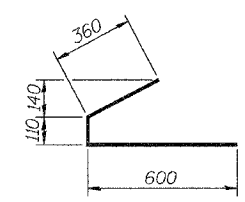
SECTION A-A

SECTION B-B

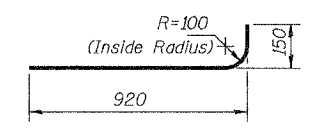


BAR G1

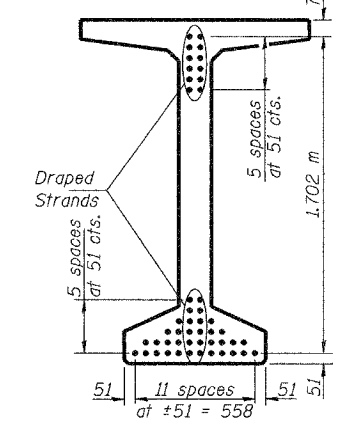
BAR G2



BAR G4



BAR G6



SECTION C-C

*** BAR LIST**

Bar	No.	Size	Length (m)	Shape
G1	220	#15	2.35	TL
G2	16	#20	2.06	TL
G3	24	#20	9.37	—
G4	68	#10	1.07	—
G5	141	#15	1.01	—
G6	3	#25	1.07	—

* For one beam only.

BILL OF MATERIAL

Item	Unit	Total
Furnishing and Erecting Precast Prestressed Concrete Bulb T-Beams, 1829 mm	m	211.1

BEAM DETAILS - SPAN 2

Date	Designed ACW	INTERSTATE 74 AND RAMPS L-1 AND L-4 OVER E. WASHINGTON STREET F.A.I. RTE. 74 SECTION (90-14HB)BR TAZEWELL COUNTY STATION 153+868.540 STRUCTURE NO. 090-0163 (WB)	Sheet No. 16 of 28
Revisions	Drawn BKN		
	Checked ACW		
	Approved KWB		
Prepared By:	URS 3040 North University Avenue Decatur, IL 62526	URS Job No. 2100001243.01	