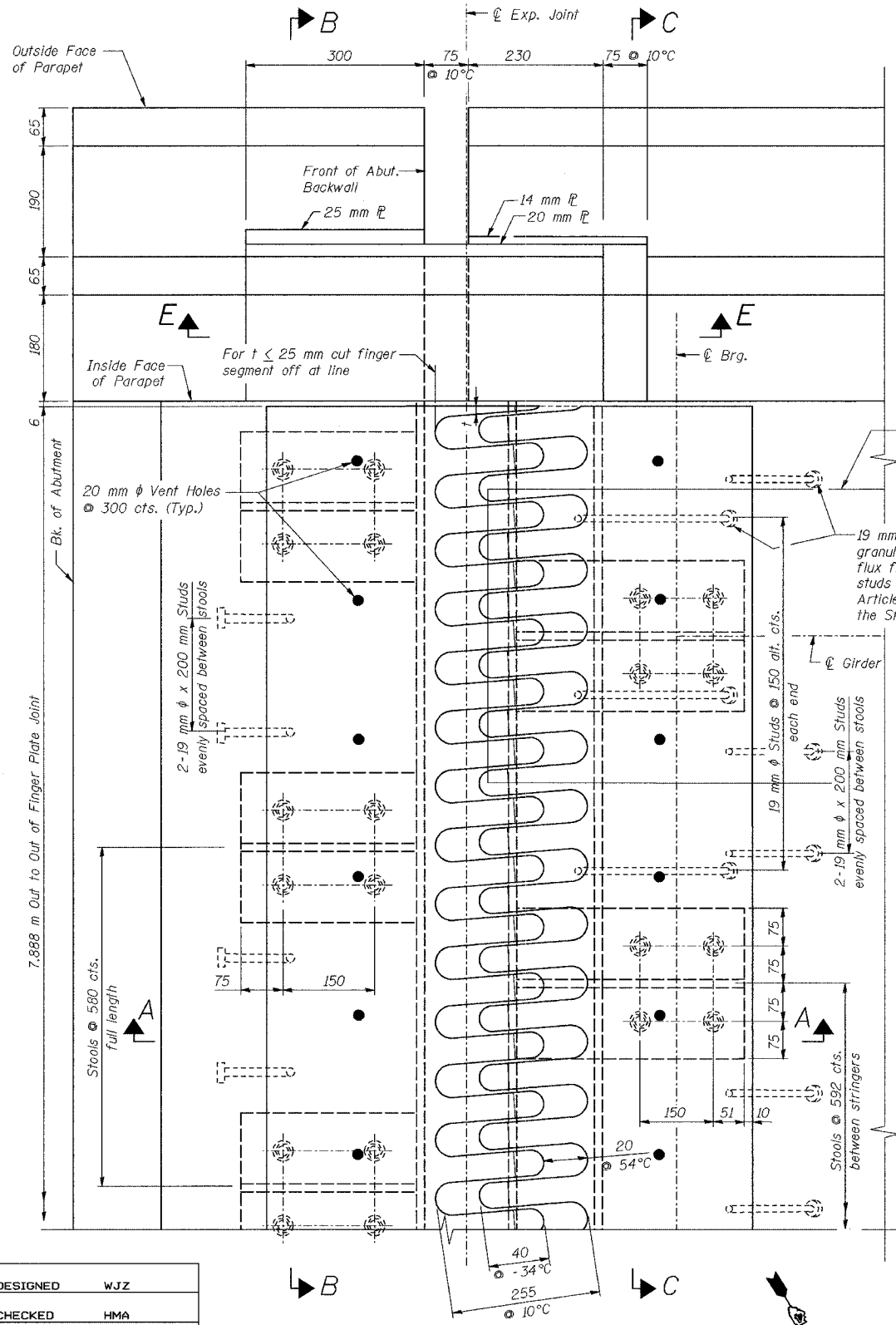


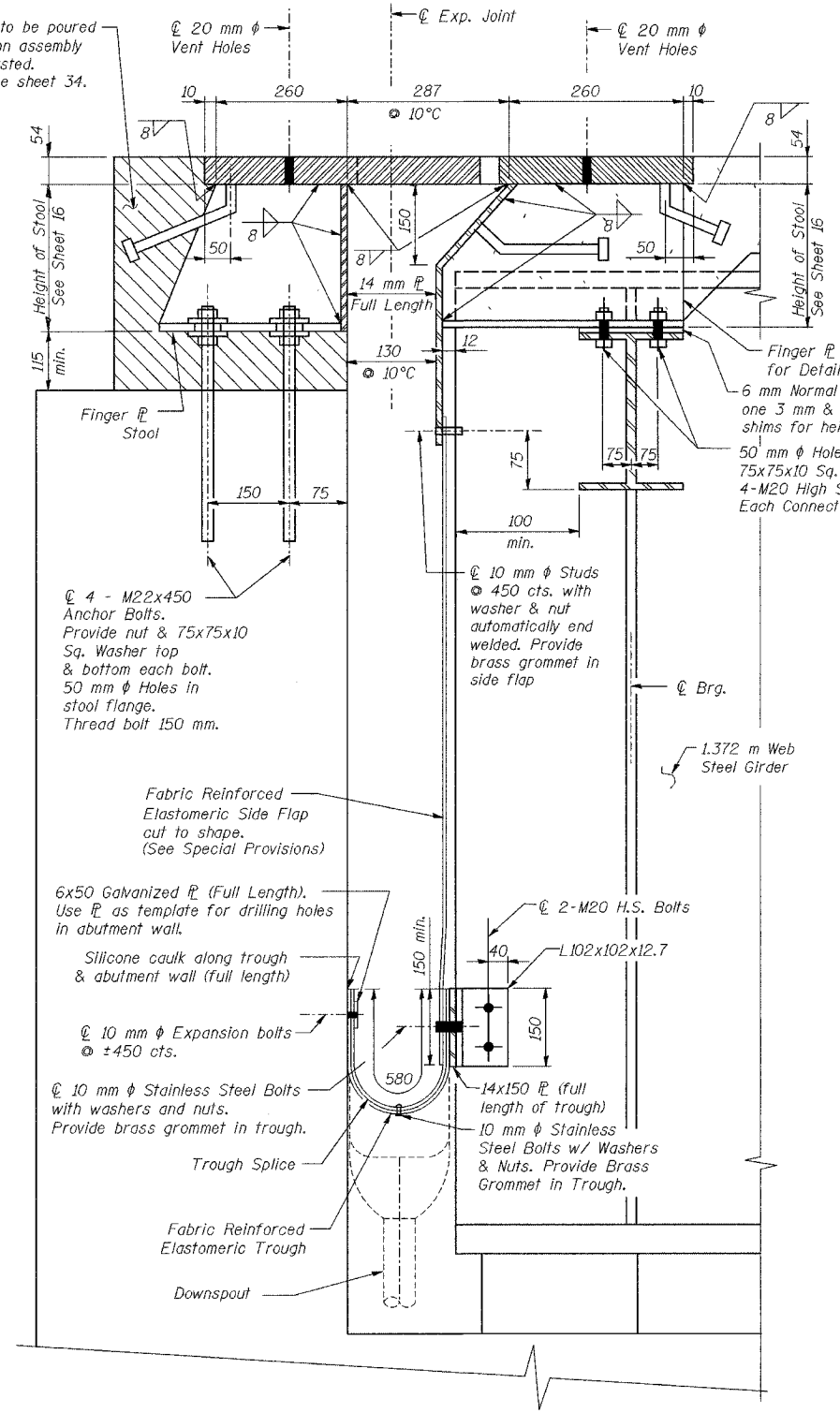
68201	ROUTE No.	SECTION	COUNTY	TOTAL SHEETS	SHEET NO.
	FAI 74	*	TAZEWELL	13	56
STA.		TO STA.			
F.A.I.L. REGION		ILLINOIS		PROJECT	



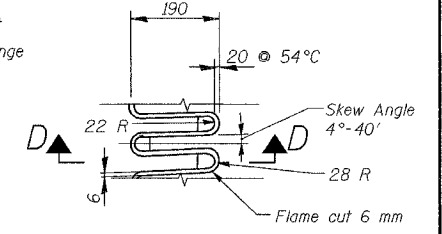
PLAN OF FINGER PLATE

DESIGNED	WJZ
CHECKED	HMA
DRAWN	VH
CHECKED	DAD

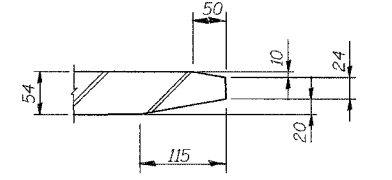
Hatched area to be poured after expansion assembly has been adjusted. For rebars see sheet 34.



SECTION A-A



FLAME CUTTING DIAGRAM



SECTION D-D

NOTES:

- All steel for finger plate joints shall be AASHTO M270M Grade 50.
- The cost of all steel required for finger plate assembly shall be paid under Furnishing and Erecting Structural Steel. The cost of all bolts (i.e. anchor, high strength, expansion, stainless steel, etc.) shall be included in the price for Furnishing and Erecting Structural Steel.
- See sheet 16 for Trough Details.
- Work this sheet with sheet 16.

ILLINOIS DEPARTMENT OF TRANSPORTATION
 RAMP K-2 OVER
 MAIN ST & RAMP J-3
 F.A.I.L. ROUTE 74 (I-74)
 SECTION 90-IIB-5

FINGER PLATE EXPANSION JOINT
 SOUTH ABUTMENT
 SN: 090-0156
 TAZEWELL CO., IL.
 STA. 10+529.222
 DATE: 12-23-04

ab **alfred benesch & company**
 CONSULTING ENGINEERS
 205 NORTH MICHIGAN AVENUE, CHICAGO, ILLINOIS 60601
 JOB NO. 3573

2/3/2005
 m:\proj\3573\ampk2\stl\j-7a0900156.dgn