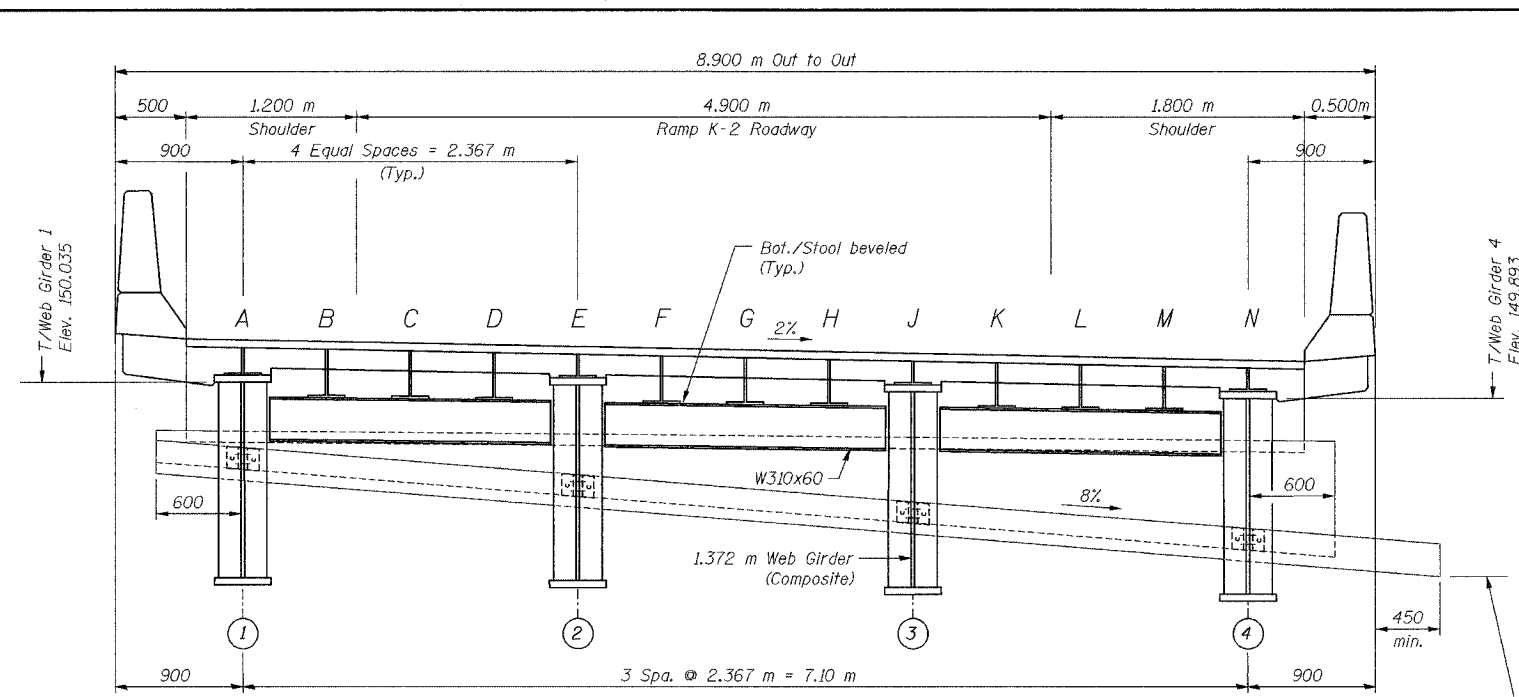
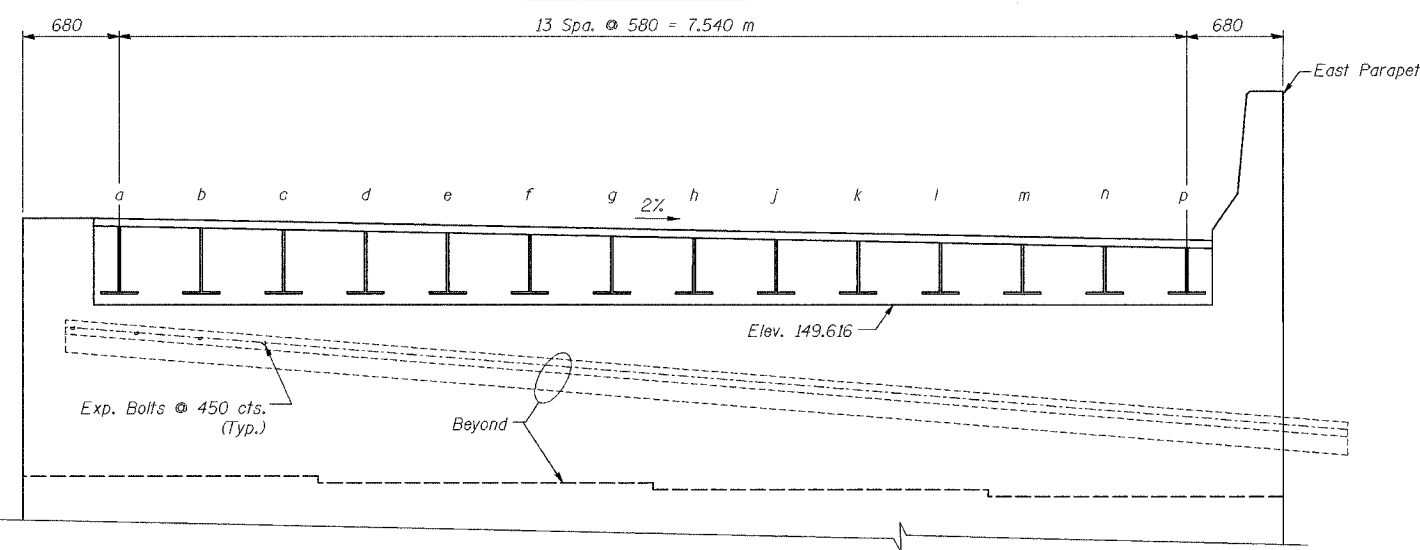


68201	ROUTE No.	SECTION	COUNTY	TOTAL SHEETS	SHEET NO.
	FAI 74	*	TAZEWELL	1366	564
STA.		TO STA.			
F.H.W.A. REGION		ILLINOIS		PROJECT	
SHEET 18 OF 56					



SECTION B-B

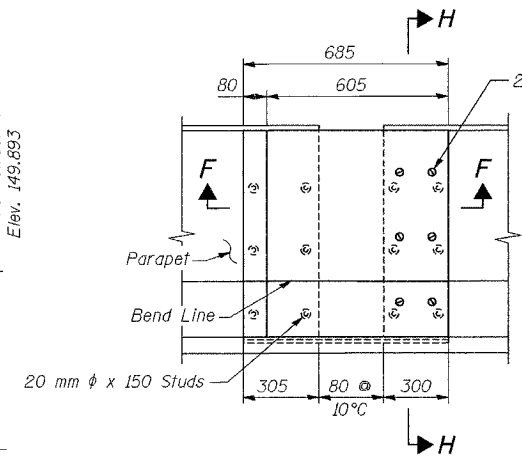


SECTION C-C

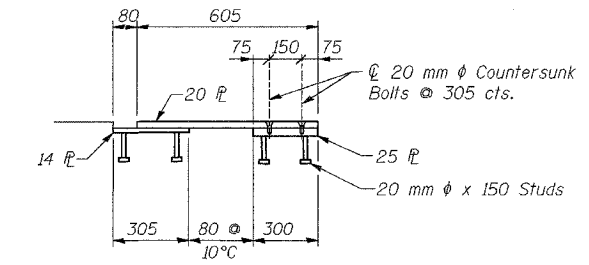
STOOL HEIGHTS

	A	B	C	D	E	F	G	H	J	K	L	M	N	
SECTION B-B	161	258	258	258	161	258	258	258	161	258	258	258	161	
	a	b	c	d	e	f	g	h	j	k	l	m	n	p
SECTION C-C	497	486	474	463	451	439	428	416	405	393	381	370	358	347

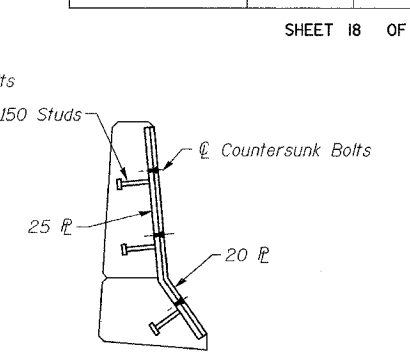
DESIGNED	WJZ
CHECKED	HMA
DRAWN	VH
CHECKED	DAD



SECTION E-E
(East Parapet only)



SECTION F-F
(East Parapet only)



SECTION H-H
(East Parapet only)

ITEM	UNIT	TOTAL
Fabric Reinforced Elastomeric Trough	Meter	9.1

alfred benesch & company
CONSULTING ENGINEERS
205 NORTH MICHIGAN AVENUE, CHICAGO, ILLINOIS 60601
JOB NO. 3573

ILLINOIS DEPARTMENT OF TRANSPORTATION
RAMP K-2 OVER
MAIN ST & RAMP J-3
F.A.I. ROUTE 74 (I-74)
SECTION 90-IIB-5
**FINGER PLATE EXPANSION JOINT
NORTH ABUTMENT**
SN: 090-0156
TAZEWELL CO., IL.
STA. 10+529.222
DATE: 12-23-04

2/3/2005
m:\p\proj\3573\compk2\st11e14-Ta0900156.dgn