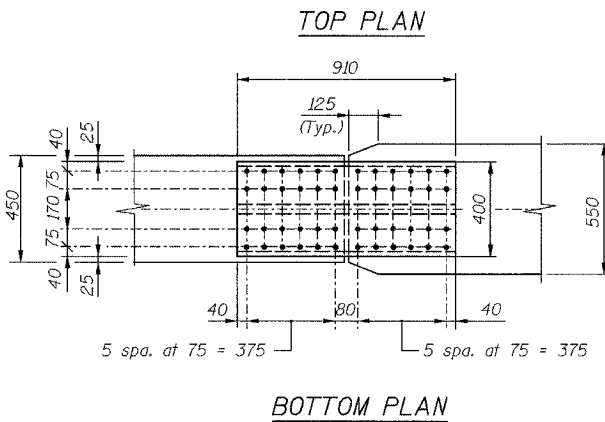
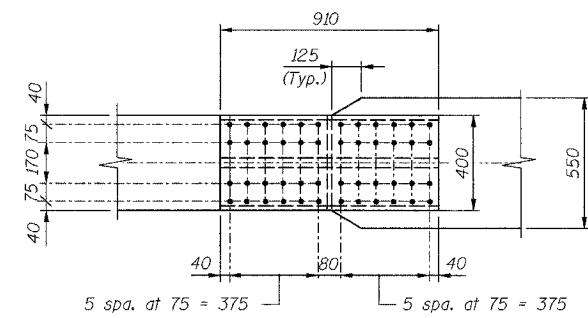
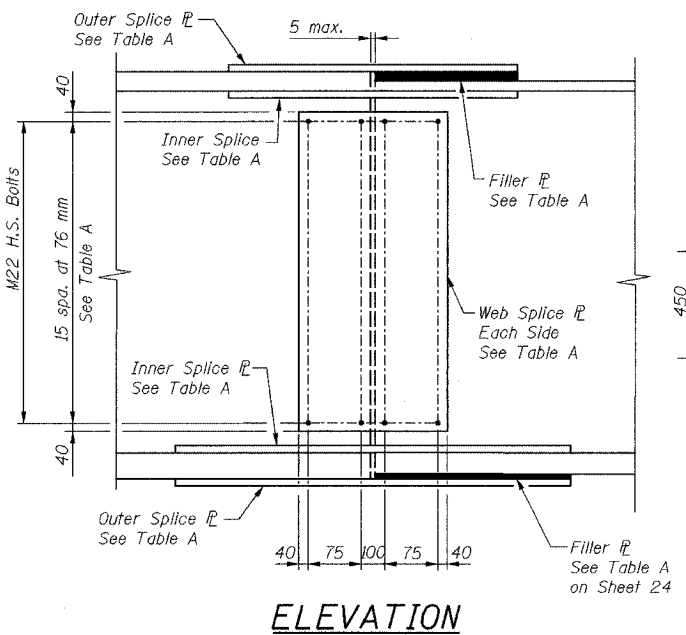
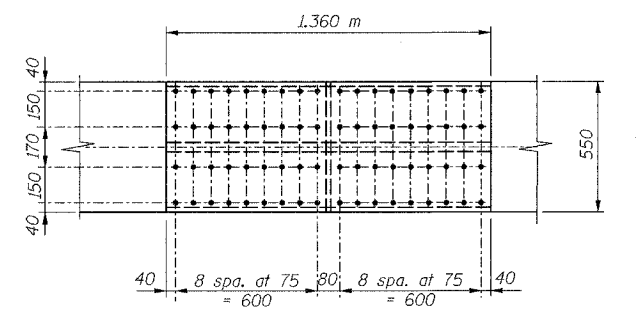
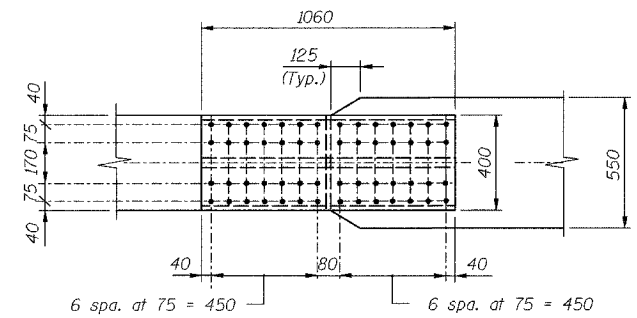


68201	ROUTE No.	SECTION	COUNTY	TOTAL SHEETS	SHEET NO.
	FAI 74	*	TAZEWELL	1366	569
STA.			TO STA.		
F.I.L.W.A. REGION			ILLINOIS PROJECT		

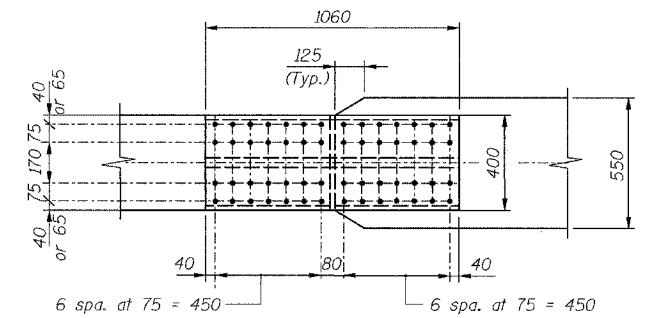
SHEET 23 OF 56



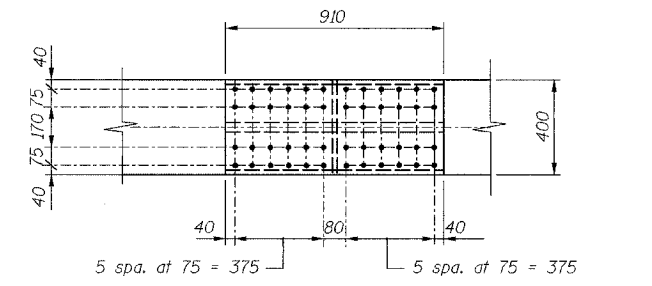
SPLICE TYPE I



SPLICE TYPE IIa



SPLICE TYPE IIb



SPLICE TYPE III

NOTES:

- All bolts shall be M22 H.S. bolts with 24 mm ϕ holes and shall be fully tightened prior to the deck slab pouring.
- All splice plates shall be AASHTO M270M Grade 345 Steel except fill plates.
- Fill plates shall be AASHTO M270M Grade 250.
- All Splice plate material, except fill plates, shall meet N.T.R. requirements.
- Work this sheet with sheet 24.

DESIGNED	JQZ
CHECKED	KWS
DRAWN	VH
CHECKED	LRB

alfred benesch & company
CONSULTING ENGINEERS
205 NORTH MORGAN AVENUE, CHICAGO, ILLINOIS 60604
JOB NO. 3573

ILLINOIS DEPARTMENT OF TRANSPORTATION
RAMP K-2 OVER
MAIN ST & RAMP J-3
F.A.I. ROUTE 74 (I-74)
SECTION 90-IIIB-5
SPLICE DETAILS

SN: 090-0156
TAZEWELL CO., IL.

STA. 10+529.222
DATE: 12-23-04

2/3/2005

mt:\p\013513\Yrampk2\util\spil-Fa0900156.dgn