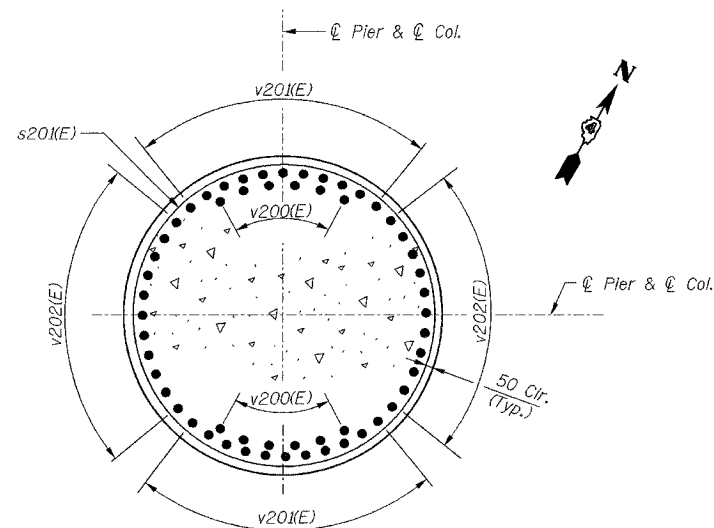
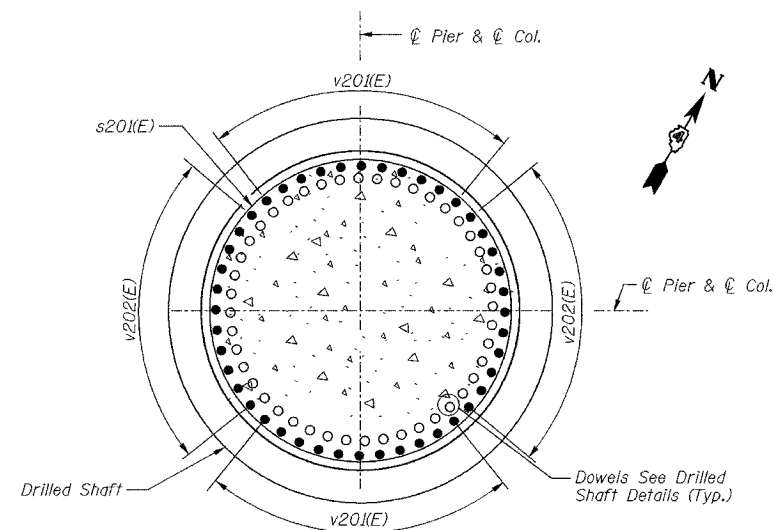


68201	ROUTE No.	SECTION	COUNTY	TOTAL SHEETS	SHEET NO.
	FAI 74	*	TAZEWELL	1366	585
STA.		TO STA.			
F.I.L.W.A. REGION		ILLINOIS		PROJECT	



SECTION D-D

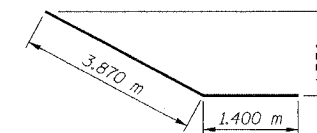


SECTION C-C

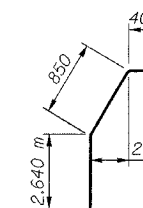
DESIGNED	JWCIII
CHECKED	SWS
DRAWN	VH
CHECKED	LRB

NOTES:

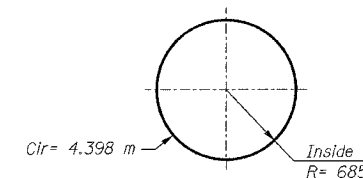
1. Dimensions are out to out unless noted otherwise.
2. Work this sheet with Sheet 39.



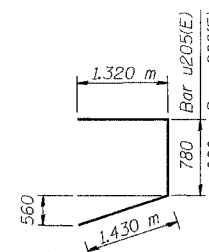
BAR p203(E)



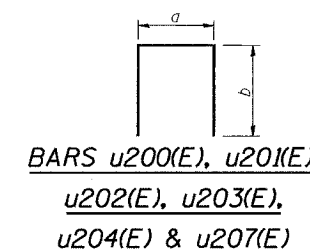
BAR v200(E)



BAR s201(E)
(Spiral)



BARS u205(E) & u206(E)



BARS u200(E), u201(E),
u202(E), u203(E),
u204(E) & u207(E)

Bar	a	b
u200(E)	560	800
u201(E)	560	930
u202(E)	560	1.170 m
u203(E)	560	1.550 m
u204(E)	870	1.320 m
u207(E)	900	610

BILL OF MATERIAL

Bar	No.	Size	Length (m)	Shape
p200(E)	6	# 15	8.80	—
p201(E)	12	# 35	8.80	—
p202(E)	6	# 15	4.35	—
p203(E)	8	# 15	5.27	—
p204(E)	4	# 15	8.58	—
p205(E)	2	# 15	7.45	—
p206(E)	4	# 15	6.27	—
p207(E)	2	# 15	5.11	—
p208(E)	4	# 15	3.96	—
p209(E)	2	# 15	2.80	—
p210(E)	2	# 15	0.72	—
p211(E)	2	# 15	0.96	—
s201(E)	1	# 15	7.64	W
u200(E)	16	# 20	2.16	U
u201(E)	24	# 20	2.42	U
u202(E)	48	# 20	2.90	U
u203(E)	104	# 20	3.65	U
u204(E)	8	# 20	3.51	U
u205(E)	4	# 20	3.53	U
u206(E)	4	# 20	3.65	U
u207(E)	16	# 15	2.12	U
v200(E)	12	# 35	3.89	—
v201(E)	22	# 35	7.99	—
v202(E)	22	# 35	9.20	—
Structure Excavation	CU M	22		
Rock Excavation for Structures	CU M	8		
Concrete Structures	CU M	29.8		
Reinforcement Bars, Epoxy Coated	KG	6,840		

Reinforcement Bars designated (E) shall be epoxy coated.

***Length is height of spiral.

Cir. = circumference (using outside diameter).

ILLINOIS DEPARTMENT OF TRANSPORTATION
RAMP K-2 OVER
MAIN ST & RAMP J-3
F.A.I. ROUTE 74 (I-74)
SECTION 90-IIHB-5
PIER 2 DETAILS

alfred benesch & company
CONSULTING ENGINEERS
205 NORTH MICHIGAN AVENUE, CHICAGO, ILLINOIS 60601
JOB NO. 3573

SN: 090-0156
TAZEWELL CO., IL.

STA. 10+529.222
DATE: 12-23-04

2/3/2005

m:\p\o\3573\compk\2\reflpr\2a-7a\090156.dgn