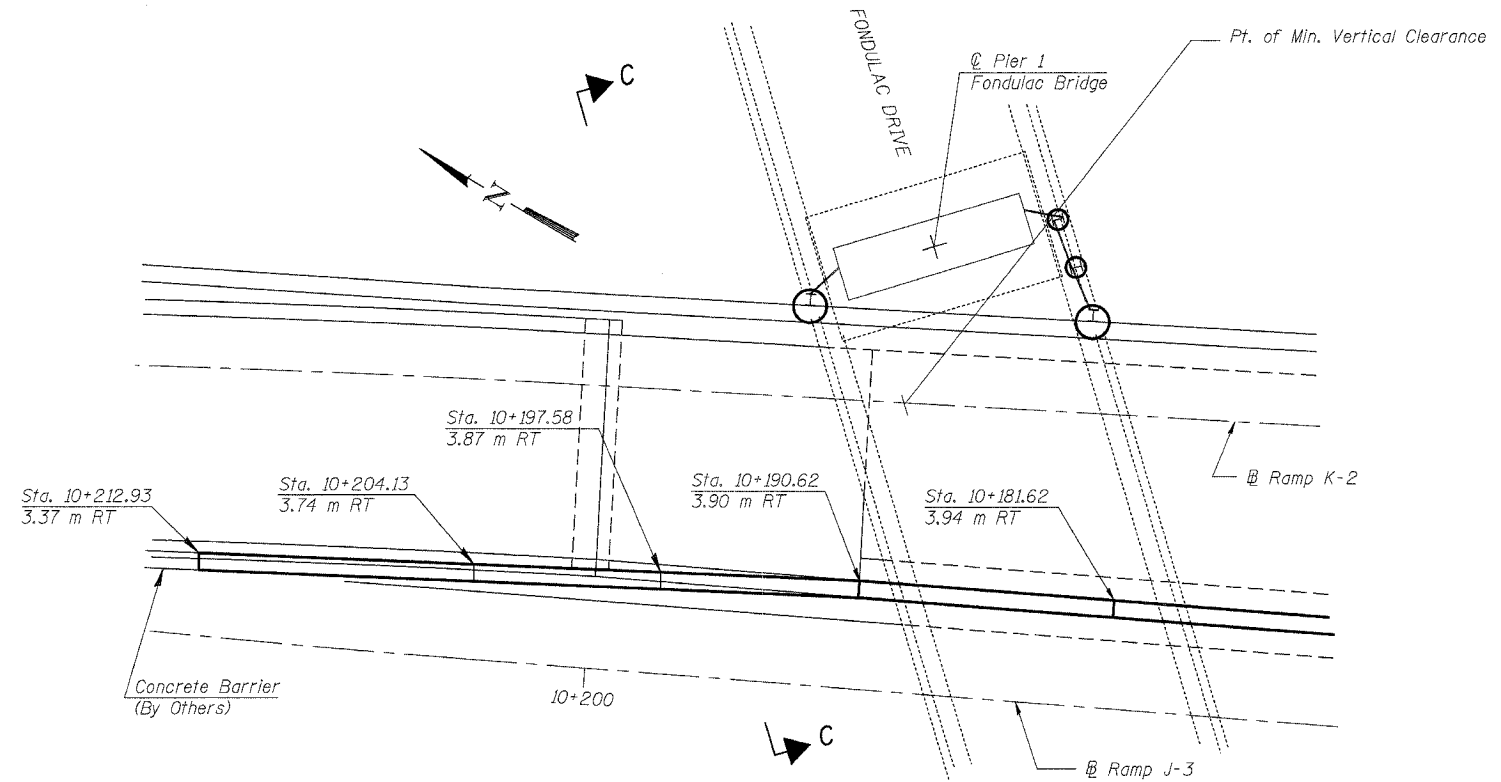
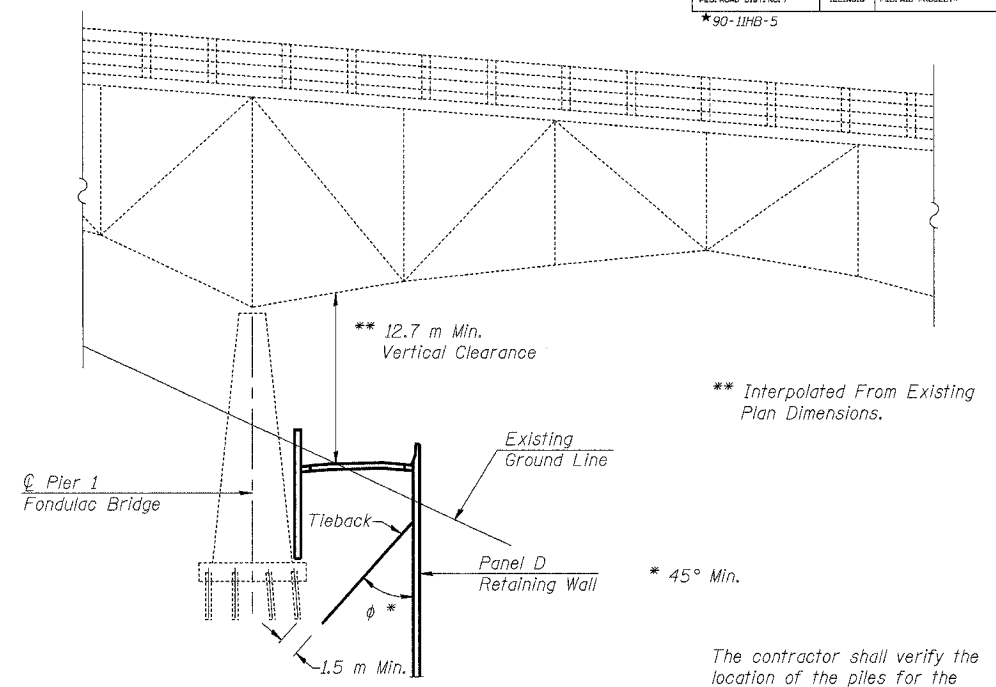


ROUTE NO.	SECTION	COUNTY	TOTAL SHEETS	SHEET NO.	SHEET NO. 6
FAT 74	*	TAZEWELL	1366	607	21 SHEETS
FED. ROAD DIST. NO. 7		ILLINOIS	FED. AID PROJECT-		
*90-11HB-5					

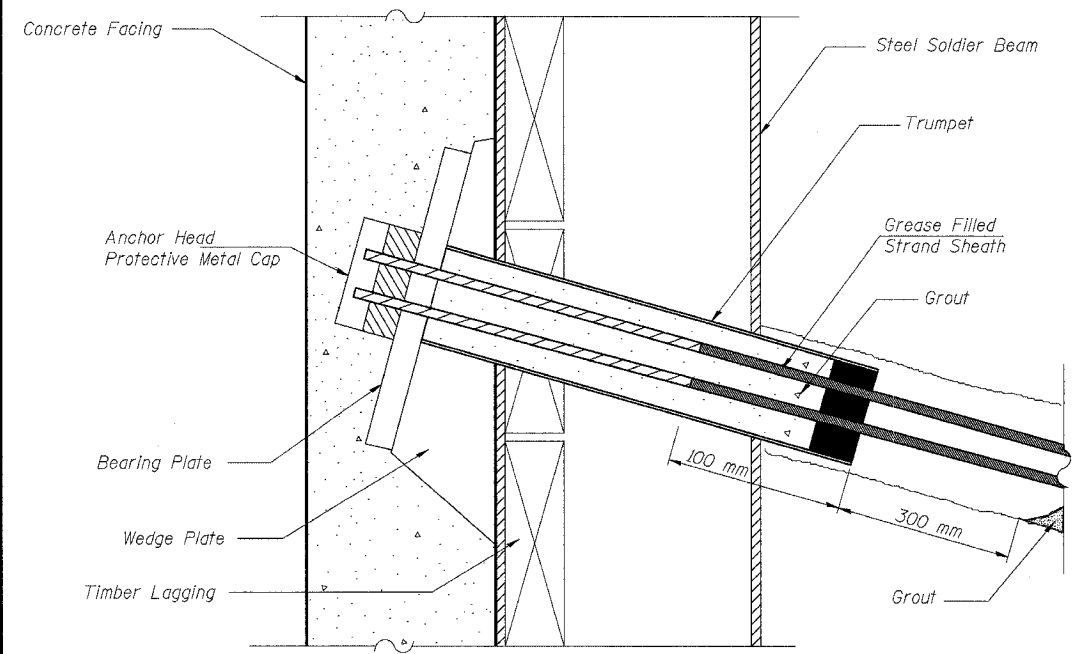


PLAN

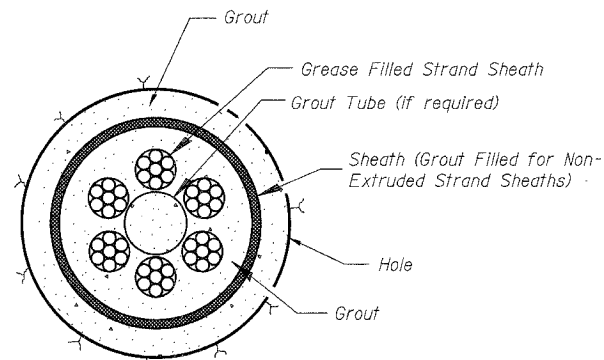


VIEW C-C

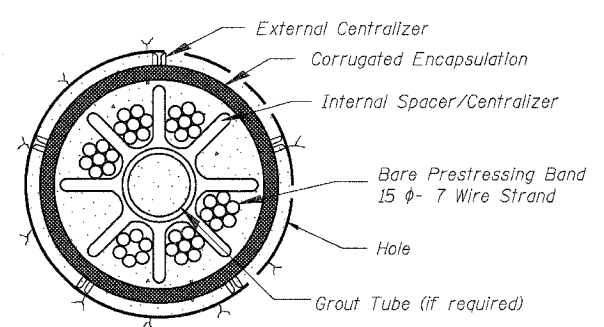
The contractor shall verify the location of the piles for the existing pier and wall 82 prior to the installation of tiebacks.



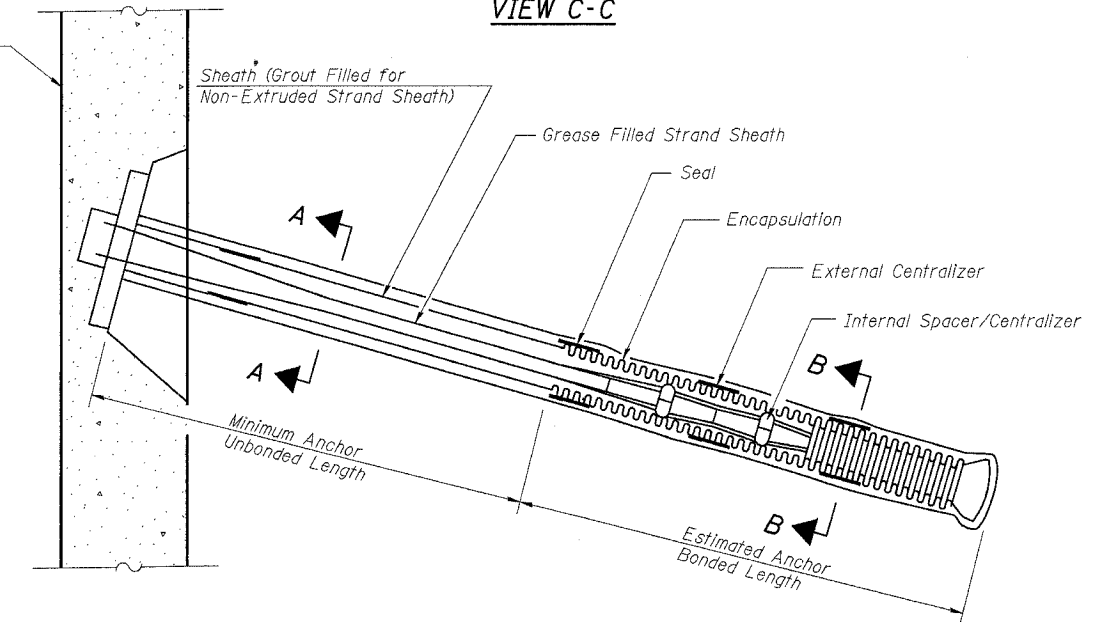
DETAIL AT ANCHORAGE HEAD



SECTION A-A



SECTION B-B



DETAIL OF CORROSION PROTECTION & TENDON DETAILS

ILLINOIS DEPARTMENT OF TRANSPORTATION  
 GROUND ANCHOR DETAIL  
 RETAINING WALL 81  
 F.A.I. RTE. 74 (I-74)  
 SECTION 90-11HB-5  
 TAZEWELL COUNTY  
 RAMP J-3 STATION 10+037 TO 10+213  
 S.N. 090-8512

REVISIONS	
NO.	NAME

**LIN ENGINEERING, LTD.**  
 200 N. Chestnut, Channahon, Illinois 63229  
 (815) 483-4668 FAX (815) 483-4706  
 Designed By: MTH Checked By: KNG Drawn By: JMO  
 Date: 09/02 File: 790406-500008512.dgn