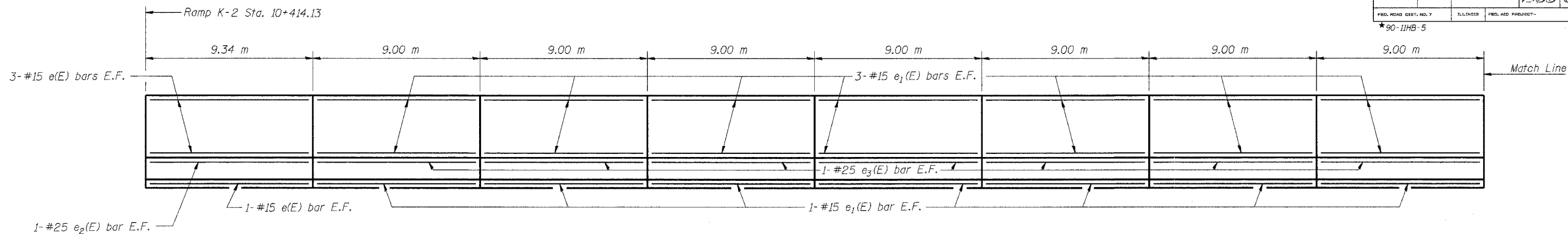
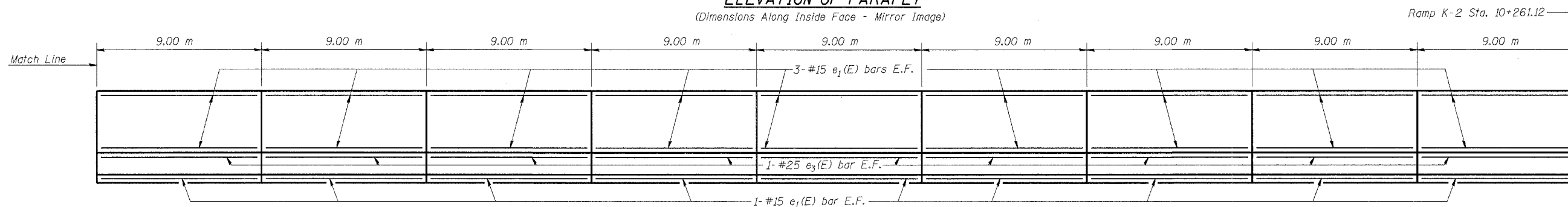


ROUTE NO.	SECTION	COUNTY	TOWNSHIP	SHEET	SHEET NO. 13 21 SHEETS
FAI 74	*	TAZEWELL	1866	614	
FED. ROAD DIST. NO. 7		ILLINOIS	FED. AID PROJECT-		
*90-11HB-5					



**ELEVATION OF PARAPET**

(Dimensions Along Inside Face - Mirror Image)

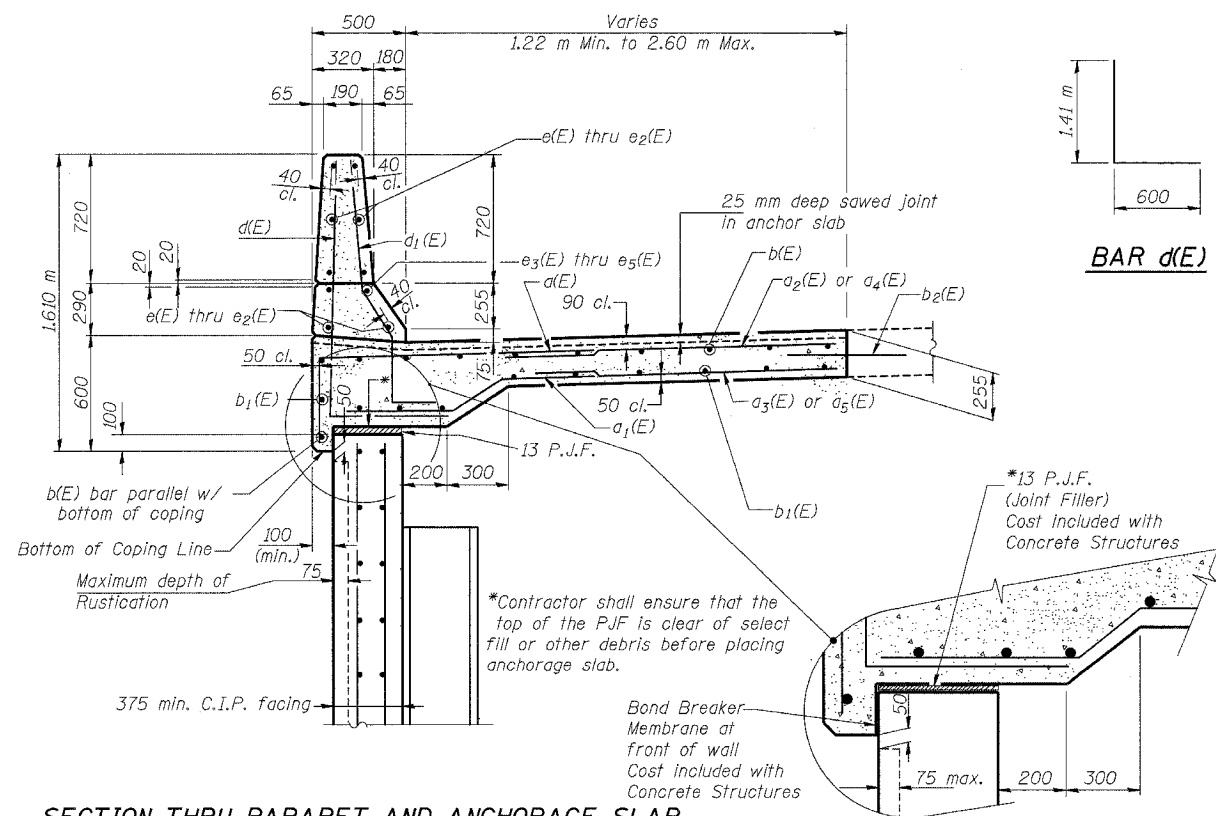


**ELEVATION OF PARAPET**

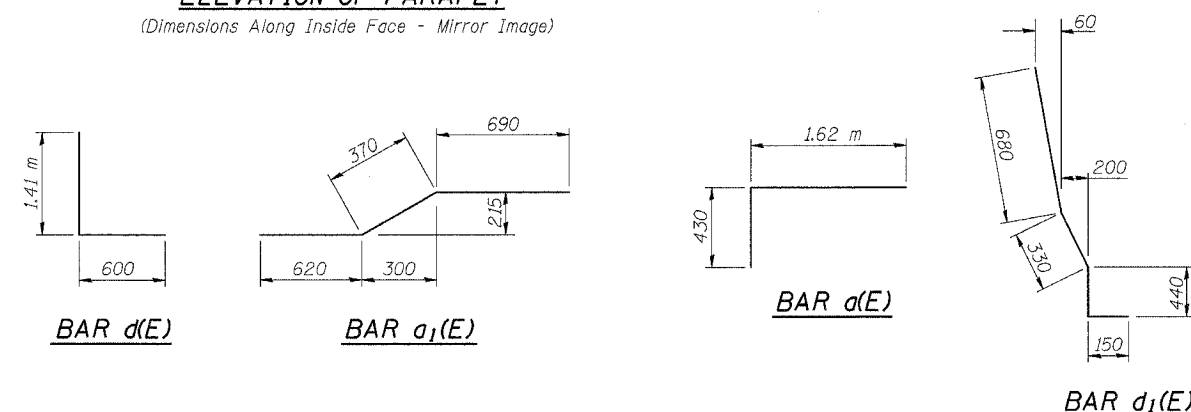
(Dimensions Along Inside Face - Mirror Image)

**BILL OF MATERIAL**

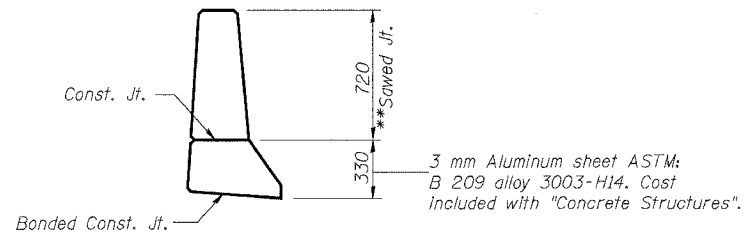
Bar	No.	Size	Length (m)	Shape
a(E)	569	#25	2.05	
a1(E)	569	#20	1.68	
a2(E)	136	#25	3.50	
a3(E)	136	#20	2.66	
a4(E)	266	#25	2.44	
a5(E)	266	#20	2.02	
b(E)	204	#15	9.01	
b1(E)	197	#15	8.56	
b2(E)	257	#25	0.60	
d(E)	512	#15	2.01	
d1(E)	559	#15	1.60	
e(E)	8	#15	9.26	
e1(E)	128	#15	8.92	
e2(E)	2	#25	9.26	
e3(E)	32	#25	8.92	
Concrete Structures		m <sup>3</sup>	183.2	
Reinforcement Bars, Epoxy Coated		kg	25630	



**SECTION THRU PARAPET AND ANCHORAGE SLAB**



\*\*Saw cut completely through the parapet down to aluminum Sheet. Cost included with Concrete Structures.



**PARAPET JOINT DETAIL**

Work this sheet with sheet 12 of 21.

ILLINOIS DEPARTMENT OF TRANSPORTATION  
**PARAPET & ANCHORAGE SLAB DETAILS**  
 RETAINING WALL 81  
 F.A.I. RTE. 74 (I-74)  
 SECTION 90-11HB-5  
 TAZEWELL COUNTY  
 RAMP J-3 STATION 10+037 TO 10+213  
 S.N. 090-8512

REVISIONS	NAME

**LIN ENGINEERING, LTD.**  
 20 W. Chestnut  
 6211-451-454  
 Chicago, Illinois 60629  
 FAX: 312-451-4705  
 Designed By: MTH  
 Checked By: PBL  
 Drawn By: JMD  
 Date: 06/04  
 File: r0413-50090812.dgn