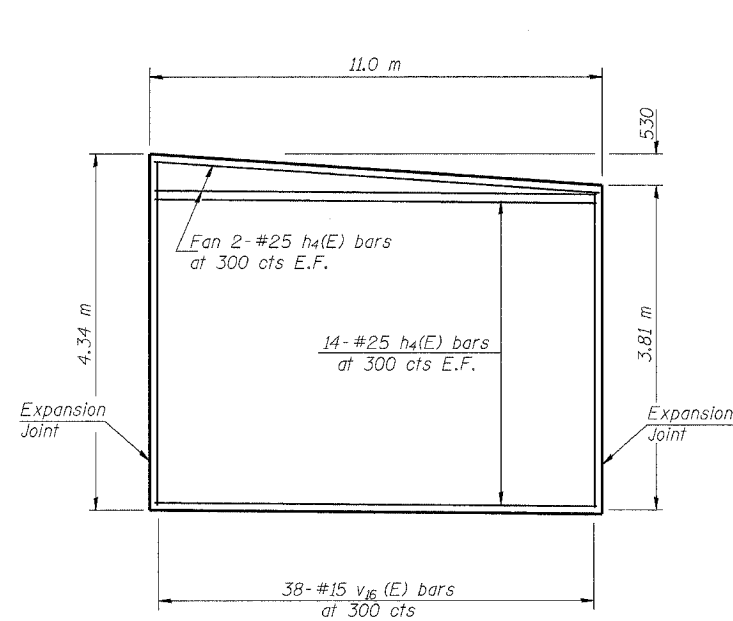
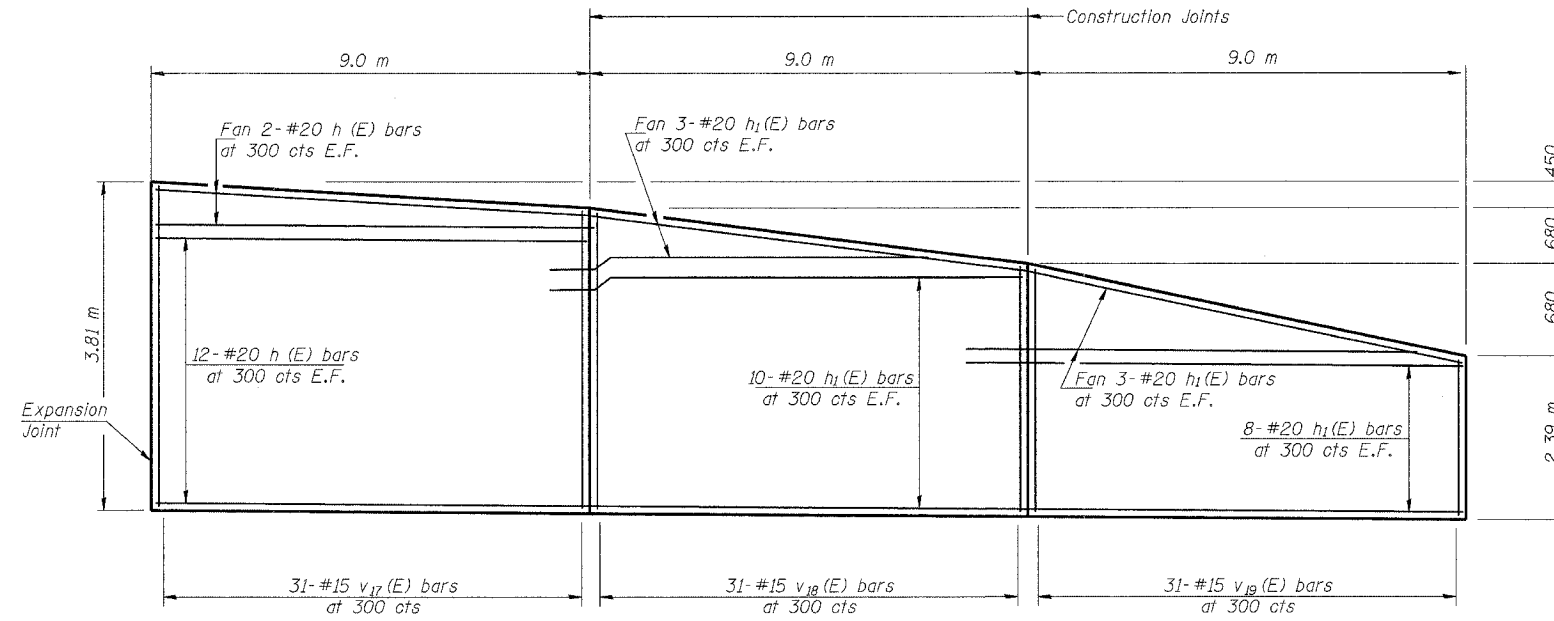


ROUTE NO.	SECTION	COUNTY	TOTAL SHEETS	SHEET NO.
FAI 74	*	TAZEWELL	13/61	63/1
SHEET NO. 9				
20 SHEETS				
*90-11HB-5				



ELEVATION OF PANEL L
(Looking From Front of Wall)



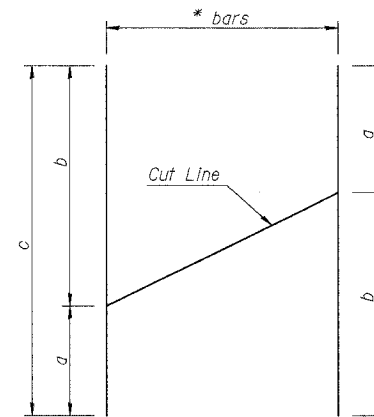
ELEVATION OF PANELS M TO O
(Looking From Front of Wall)

E.F. indicates each face.

BILL OF MATERIAL

Bar	No.	Size	Length (m)	Shape
h(E)	28	#20	8.92	—
h1(E)	48	#20	9.79	—
h4(E)	32	#25	10.92	—
v16(E)	38	#15	8.35	—
v17(E)	31	#15	7.49	—
v18(E)	31	#15	6.48	—
v19(E)	31	#15	5.24	—
Concrete Structures			m ³	50.4
Reinforcement Bars, Epoxy Coated			kg	4500

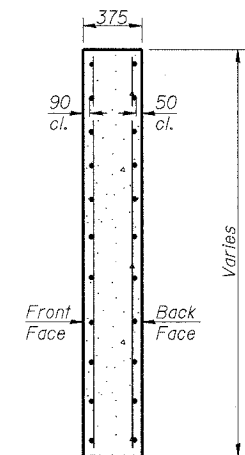
Reinforcement Bars designated (E) shall be epoxy coated. Bars indicated thus 1 x 2- #20 etc. indicates 1 line of bars with 2 lengths per line. The horizontal bars shall be bent at the joints to account for the nonlinear wall alignment. Cost included in "Reinforcement Bars, Epoxy Coated."



BAR CUTTING DIAGRAM v(E) BARS
(Length in meters)

Bar	a	b	c	*
v16(E)	4.41	3.94	8.35	38
v17(E)	3.94	3.55	7.49	31
v18(E)	3.55	2.93	6.48	31
v19(E)	2.93	2.31	5.24	31

Note: Order bars full length. Cut bars as shown & use remainder on the other face of wall.



SECTION THRU PANEL

MIN BAR LAP
#15 Bars = 640
#20 Bars = 790
#25 Bars = 1320

LIN ENGINEERING, LTD.

20 W. Chestnut
Channahon, Illinois 62628
Tel: 815-483-4668 Fax: 815-483-4128
Designed By: MTH Checked By: JPH Drawn By: JMO
Date: 05/02 File: r20409-58260851.dgn

REVISIONS	
NO.	NAME

ILLINOIS DEPARTMENT OF TRANSPORTATION
CONCRETE FACING
RETAINING WALL 82
F.A.I. RTE. 74 (I-74)
SECTION 90-11HB-5
TAZEWELL COUNTY
RAMP K-2 STATION 10+378 TO 10+507
STRUCTURE NUMBER 090-8513