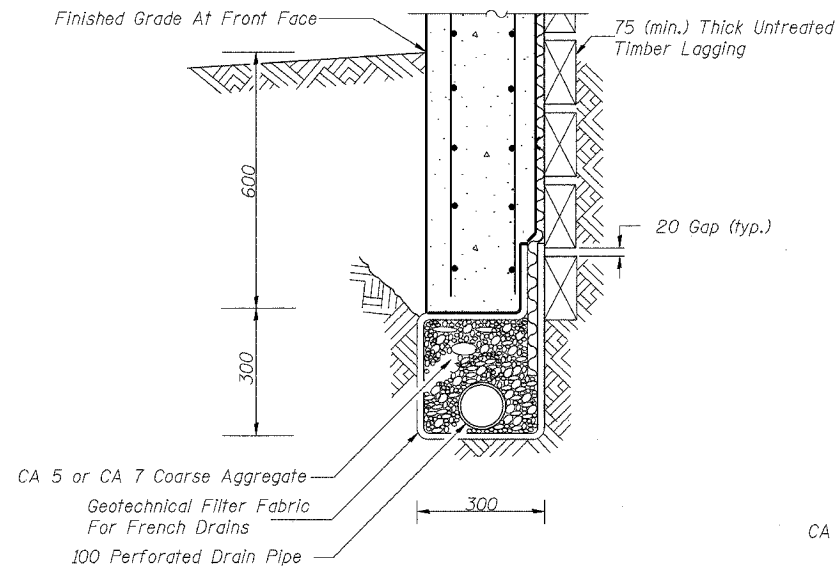
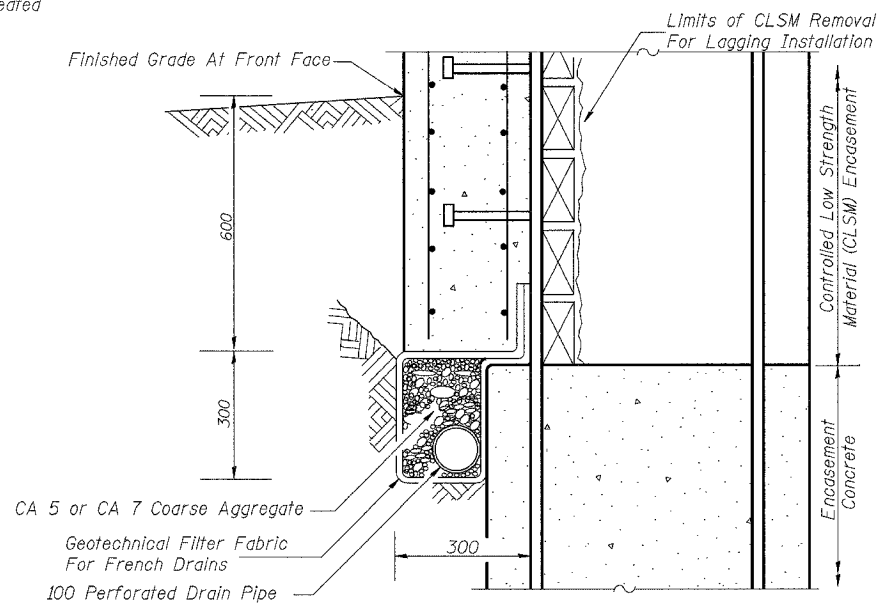


ROUTE NO.	SECTION	COUNTY	TOTAL SHEETS	SHEET NO.
FAI 74	*	TAZEWELL	1366	682
SHEET NO. 10				
20 SHEETS				
FED. ROAD DIST. NO. 7	ILL. PROJ. NO.	FED. AID PROJECT-		
*90-11HB-5				



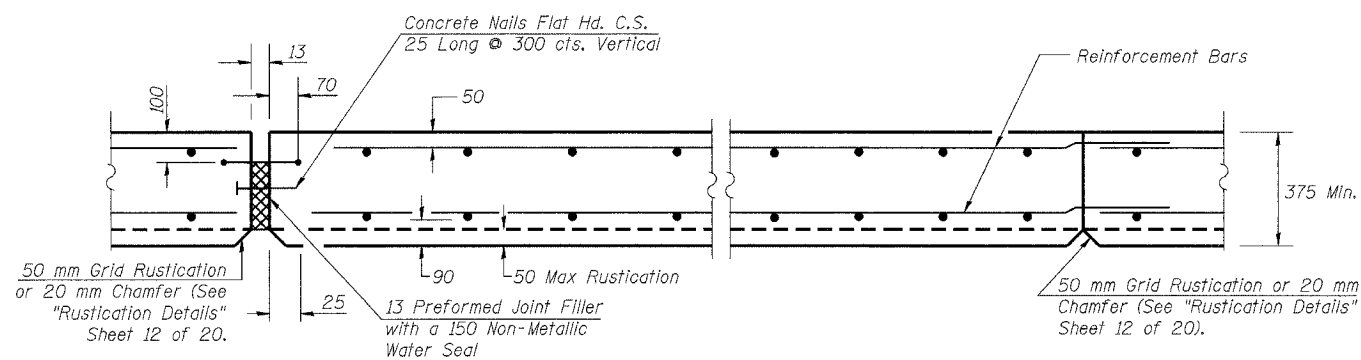
BETWEEN SOLDIER PILES



AT SOLDIER PILES

FRENCH DRAIN DETAIL

The French Drain installation shall follow Section 601 of the Standard Specifications except that the trench backfill shall consist of CA-5 or CA-7 coarse aggregate. The trench shall be lined with geotechnical fabric for French Drains and have a 100 mm diameter drain pipe located near the base of the excavation. The cost of the geotechnical fabric and drain pipe is included with the pay item French Drains.



EXPANSION JOINT

CONSTRUCTION JOINT

ILLINOIS DEPARTMENT OF TRANSPORTATION
MISCELLANEOUS DETAILS
 RETAINING WALL 82
 F.A.I. RTE. 74 (I-74)
 SECTION 90-11HB-5
 TAZEWELL COUNTY
 RAMP K-2 STATION 10+378 TO 10+507
 STRUCTURE NUMBER 090-8513

LIN ENGINEERING, LTD.

202 W. Chestnut
 61811-483-4168
 Chicago, Illinois 60629
 FAX: 618-483-4706
 Designed By: MTH Checked By: ERG Drawn By: JND
 Date: 05/02 File: r90410-500908513.dgn

REVISIONS	
NO.	NAME