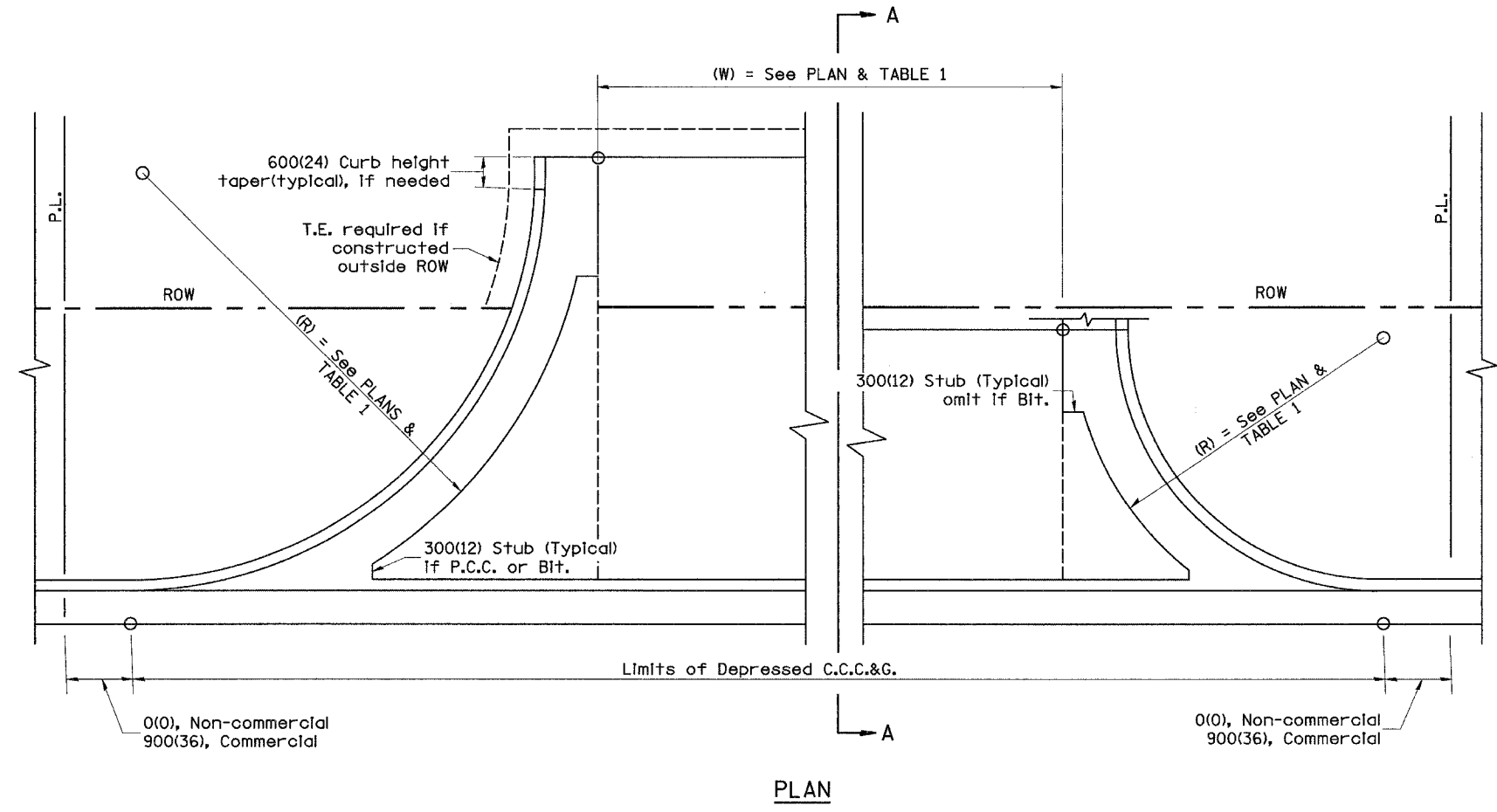
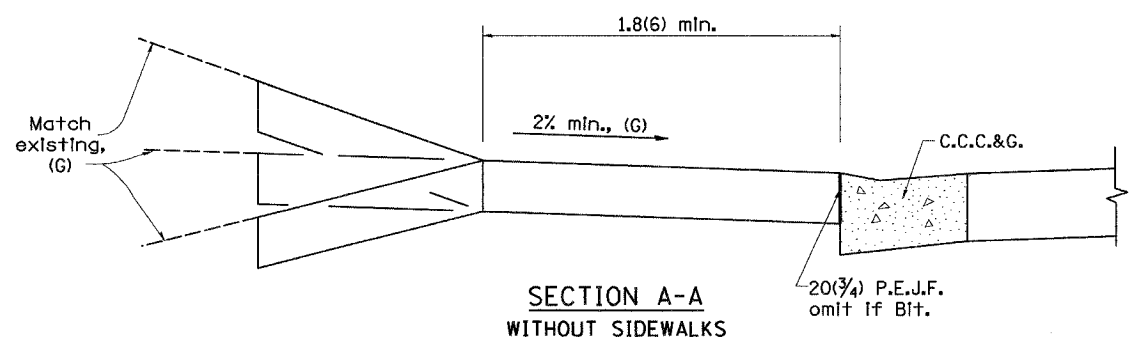


SECTION	COUNTY	TOTAL SHEETS	SHEET NO.
		1366	645
STA. TO STA.		FED. ROAD DIST. NO. ILLINOIS FED. AID PROJECT	

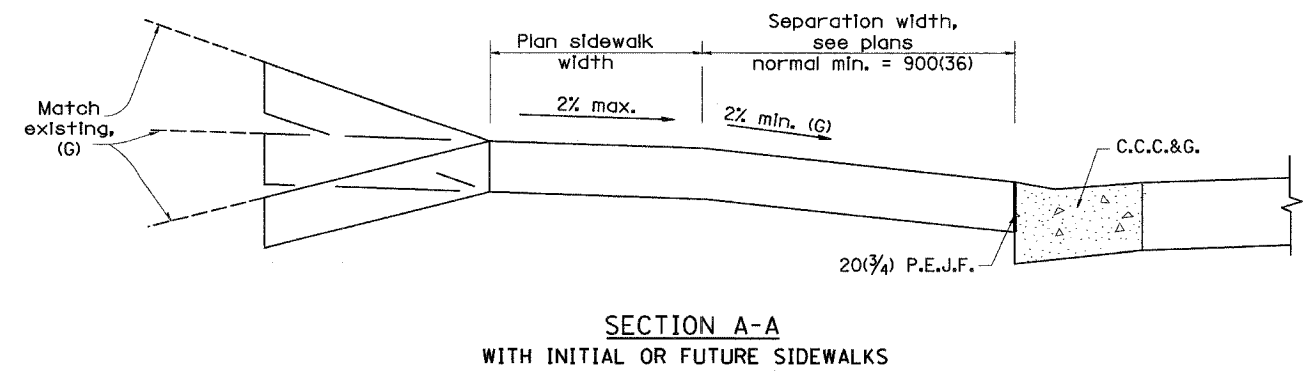


**GENERAL NOTES**

1. C.C.C.&G. will be measured for pavement as specified in Article 606.13 of the Standard Specifications.
2. C.C.C.&G. Construction Joints will be as shown on Standard 606001.



ELEMENT	NON-COMMERCIAL		COMMERCIAL			
			1-WAY OPERATION		2-WAY OPERATION	
WIDTH (W)	3.6 m(12') MIN.	7.2 m(24') MAX.	4.3 m(14') MIN.	7.2 m(24') MAX.	7.2 m(24') MIN.	10.7 m(35') MAX.
RADIUS EQUIVALENT 1:1 FLARE (F)	1.5 m(5') MIN.	7.6 m(25') MAX.	4.6 m(15') MIN.	12.0 m(40') MAX.	4.6 m(15') MIN.	12.0 m(40') MAX.
MAX. GRADE (G)	8%		6%			



All dimensions are in millimeters (inches) unless otherwise noted.

ILLINOIS DEPARTMENT OF TRANSPORTATION  
**DISTRICT CADD STANDARD**  
 SUBURBAN ENTRANCES WITH CURBED RADII  
 CADD STD NO. 423001-D4  
 SCALE: NOT DRAWN TO SCALE DRAWN BY CADD  
 DATE \*\*DATE\*\* CHECKED BY

DATE	REVISIONS	BY
1-1-97	RENUM. C-103.05, NEW REVISION BOX, REVISED GENERAL NOTES	T.P.

2. DESIGNER SHOULD REVIEW BUREAU PROCEDURE MEMORANDUM 94-12, DATED 7-1-94 ENTITLED "ACCESSIBILITY STANDARDS FOR THE DISABLED". IF SIDEWALKS ARE TO BE CONSTRUCTED INITIALLY.  
 3. INCLUDE STATE STANDARD 423001 IF SIDEWALKS ARE TO BE CONSTRUCTED INITIALLY.  
 4. INCLUDE STATE STANDARD 606001.  
 \*\*DATE\*\*