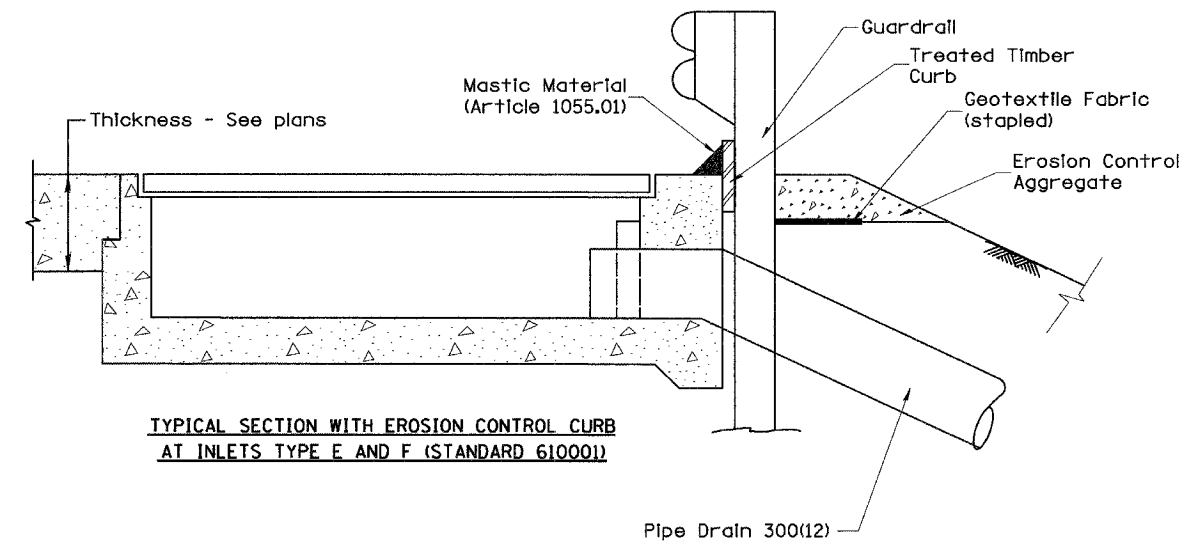


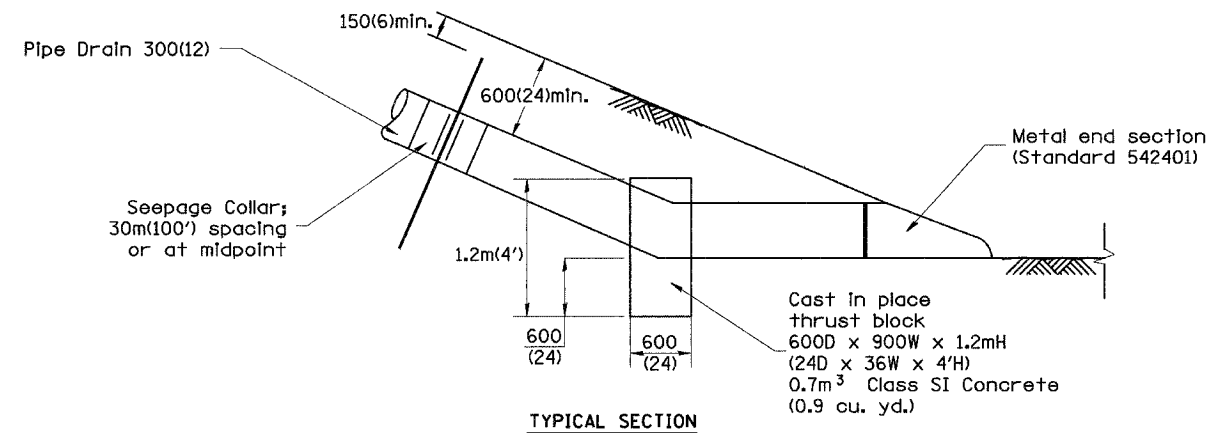
No. 25-11-1-100209/21\_dfr\_11/25/2009

2. INCLUDE STATE STANDARDS 609001, 609006 OR 610001, IF APPLICABLE  
3. INCLUDE DISTRICT CADD STANDARDS FOR "GUARDRAIL EROSION CONTROL TREATMENTS", "SEEPAGE COLLARS FOR BURIED PIPES", AND "PIPE ELBOW"

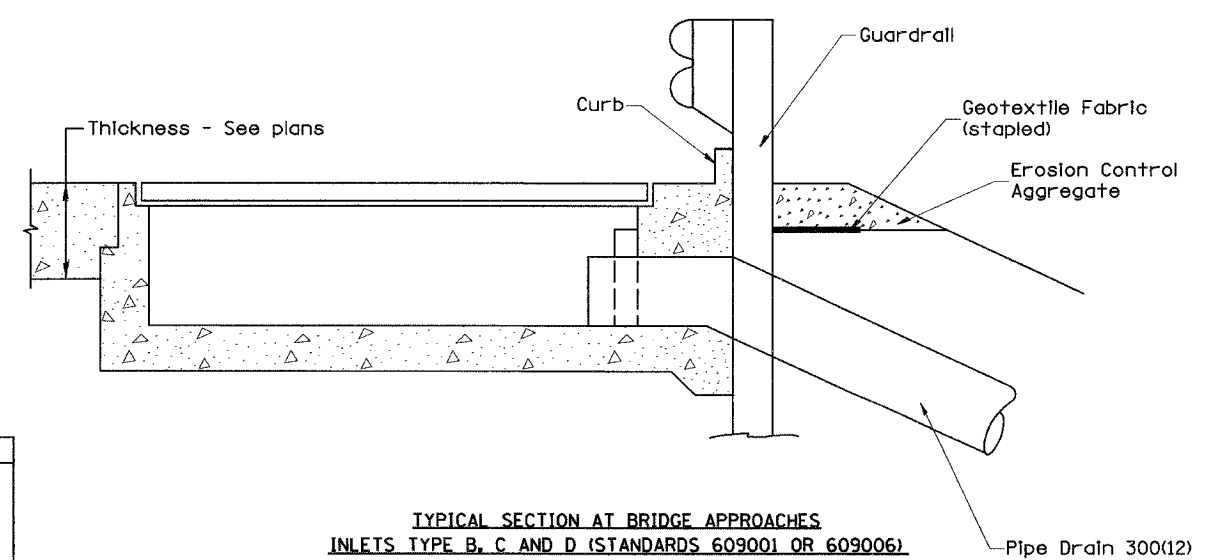
69201			
F.A. RTE.	SECTION	COUNTY	TOTAL SHEETS
			1366/699
TO STA.			
FED. ROAD DIST. NO.	ILLINOIS	FED. AID PROJECT	



**TYPICAL SECTION WITH EROSION CONTROL CURB AT INLETS TYPE E AND F (STANDARD 610001)**



**TYPICAL SECTION**



**TYPICAL SECTION AT BRIDGE APPROACHES INLETS TYPE B, C AND D (STANDARDS 609001 OR 609006)**

**GENERAL NOTES**

1. The material for Pipe Drains shall be bituminous coated galvanized corrugated steel culvert pipe or bituminous coated corrugated aluminum alloy pipe in accordance with Article 601.02(f) or 601.02(i).
2. An approved mastic material (Article 1055.01) shall be applied to the inside of the connecting bands.

All dimensions are in millimeters (inches) unless otherwise noted.

QUANTITIES	
CALC. BY: _____	DATE: _____
CHECKED BY: _____	DATE: _____

QUANTITY CALCULATIONS ARE ON FILE AT THE DISTRICT 4 OFFICE; BUREAU OF PROJECT IMPLEMENTATION; DOCUMENTATION SECTION

DATE	REVISIONS	BY
1-1-97	RENUM. H-1.04, NEW REVISION BOX, REVISED TITLE BOX, REVISED DESIGNER NOTES, ADDED QUANTITY CALCULATION BOX	T.P.

ILLINOIS DEPARTMENT OF TRANSPORTATION  
**DISTRICT CADD STANDARD**

**SLOPE DRAIN DETAILS FOR BURIED PIPES**

CADD STD. NO. 601101-D4  
NOT DRAWN TO SCALE  
\*\*DATE\*\*

DRAWN BY CADD

\*DGN-ONLY\*