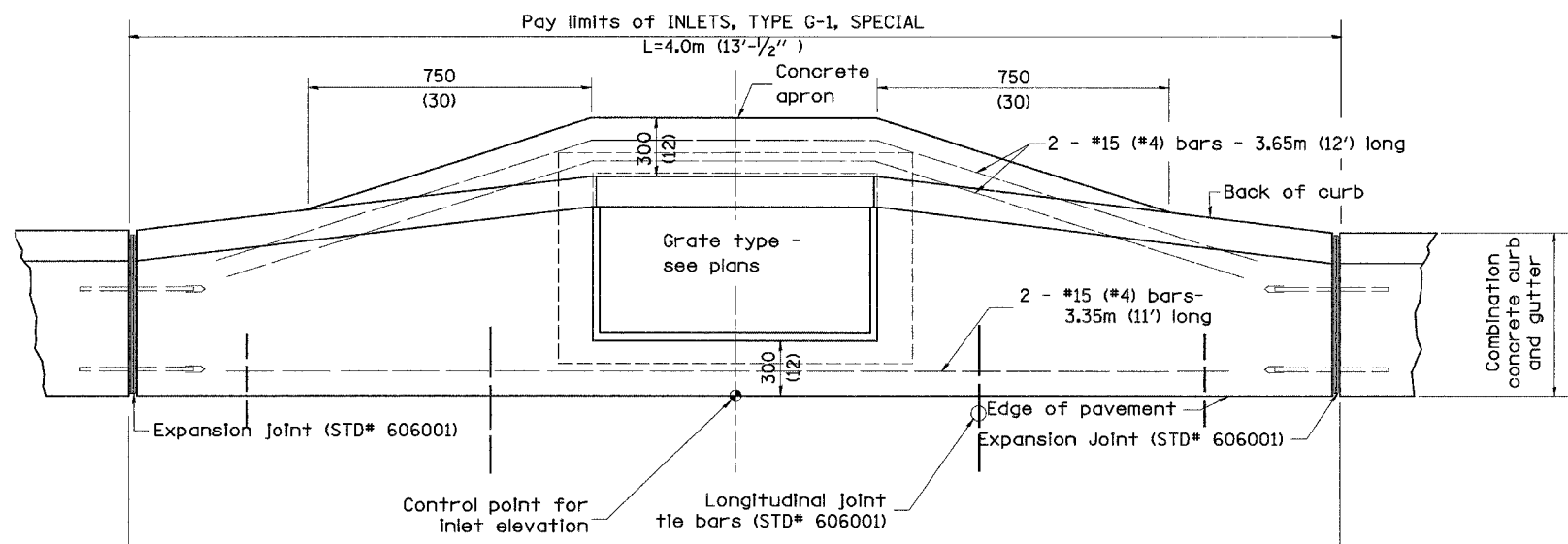
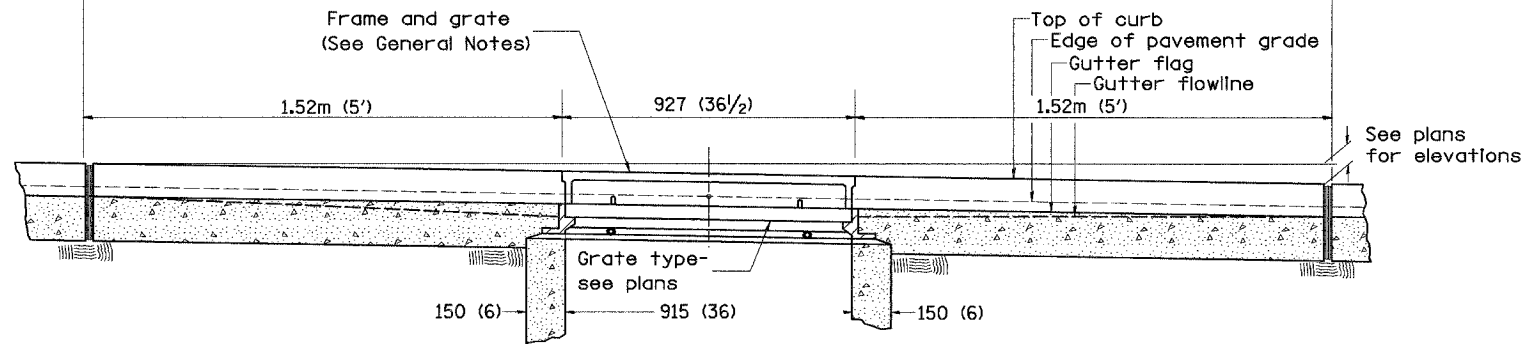


M:\81.81.7\2002\9121_06\1\p0206.dwg (Vendor)

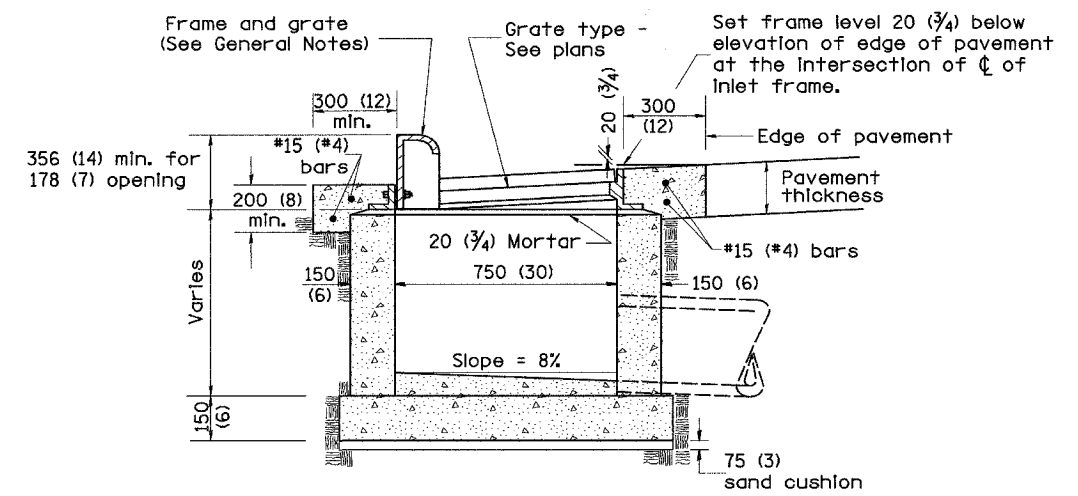
F.A. RTE.		SECTION		COUNTY		TOTAL SHEETS		SHEET NO.	
						1366		650	
STA.				TO STA.					
FED. ROAD DIST. NO.		ILLINOIS		FED. AID PROJECT					



PLAN



ELEVATION (FRONT)



ELEVATION (SIDE)

GENERAL NOTES

1. Inlet construction shall be in accordance with Section 602 of the Standard Specifications.
2. Combination Concrete Curb and Gutter shall be constructed in accordance with Section 606 of the Standard Specifications.
3. See District CADD Standard 604001-D4 for frame and grates.

2. Include State Standard #20001 for pavement joints.
 3. Include District CADD Standard for frame and grates.
 4. Include District Special Provision. Pay item includes transitional c.c.c. & g., Inlet and frame and grate. All work within pay limits.
 5. Specify grate type in plans

\$\$\$DATE\$\$\$

All dimensions are in millimeters (inches) unless otherwise noted.

ILLINOIS DEPARTMENT OF TRANSPORTATION
DISTRICT CADD STANDARD

INLETS, TYPE G-1, SPECIAL

DATE	REVISIONS	BY
1-1-97	RENUM. B-4.02, NEW REVISION BOX	
12-1-98	CORRECT E. O. P. NOTE	J.A.
10-99	REVISION TO GENERAL NOTES	J.A.

CADD STANDARD 602006-D4
SCALE NOT TO SCALE
DATE \$\$\$DATE\$\$\$
DRAWN BY CADD
CHECKED BY

DGN-ONLY

602006-D4