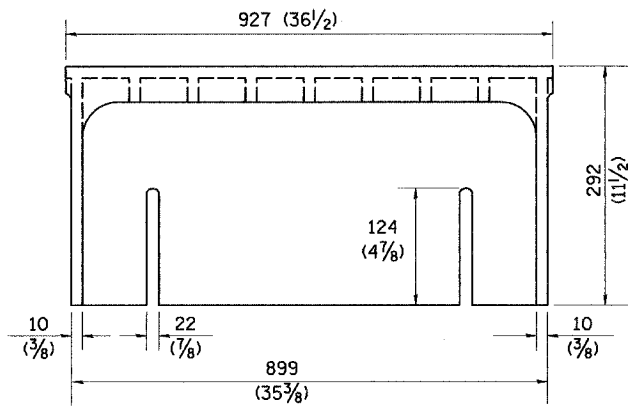
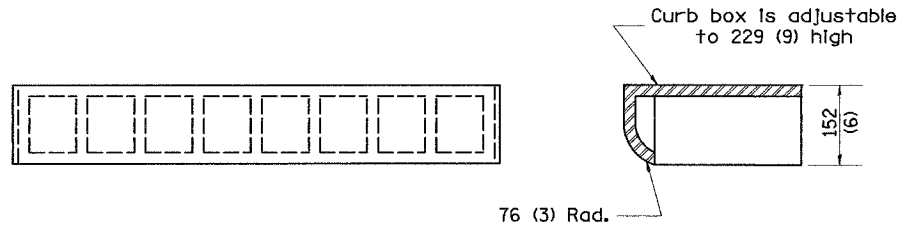
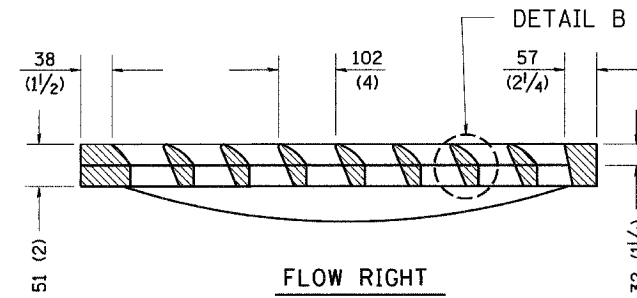
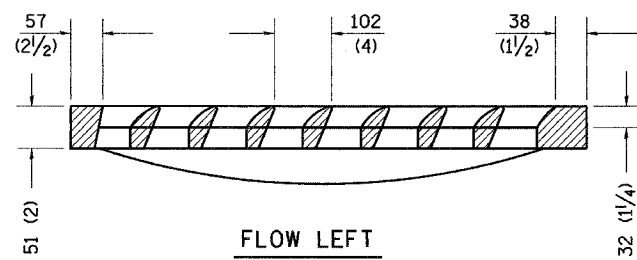
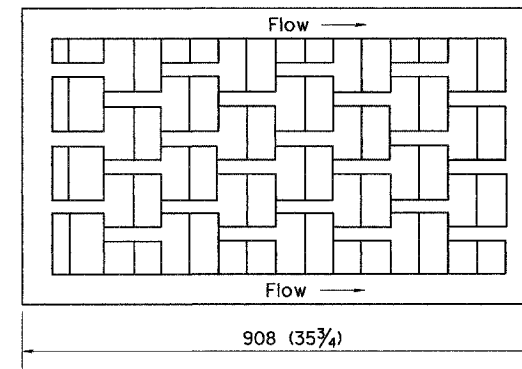
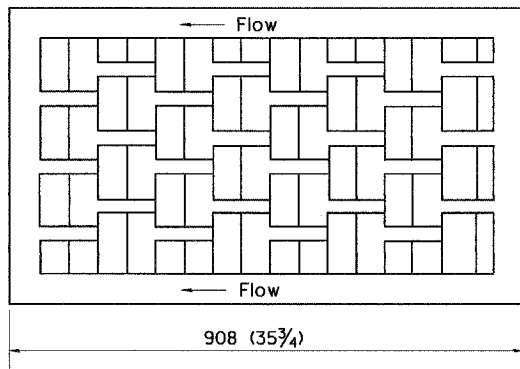


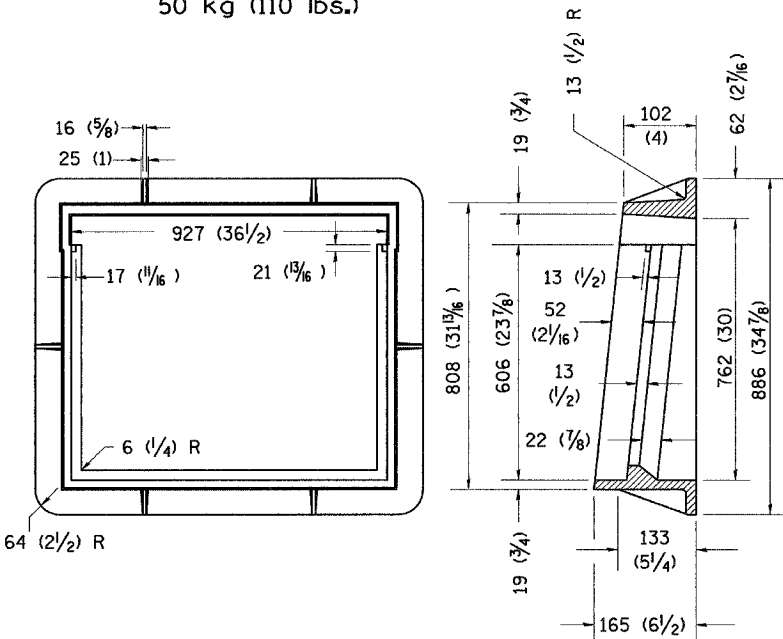
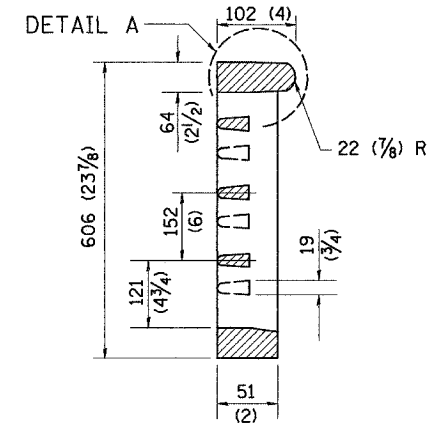
F.A. RTE.	SECTION	COUNTY	TOTAL SHEETS	SHEET NO.
			1366	659
STA.		TO STA.		
FED. ROAD DIST. NO.	ILLINOIS	FED. AID PROJECT		



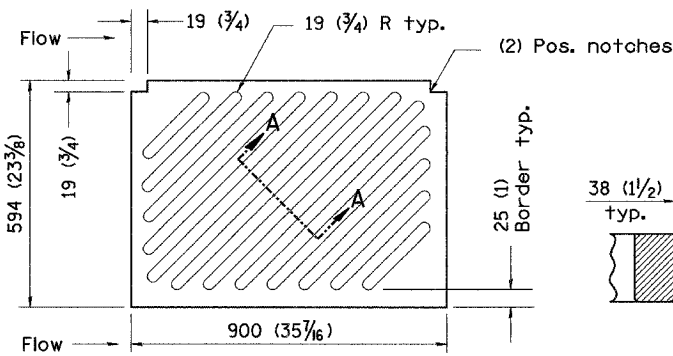
**CAST CURB BOX**  
50 kg (110 lbs.)



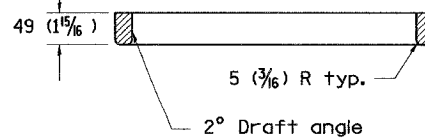
**CAST VANE GRATES**  
(SPECIFY LEFT OR RIGHT FLOW)  
104 KG (230 lbs.)



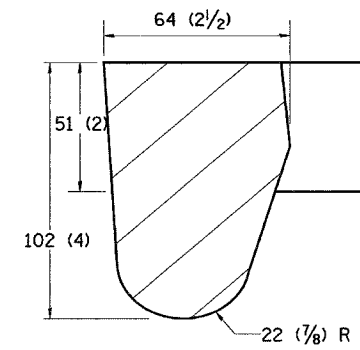
**CAST FRAME**  
123 kg (271 lbs.)



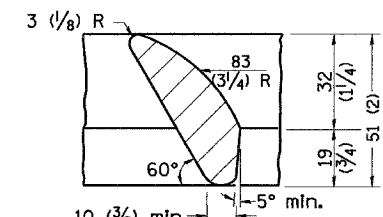
NOTE: Flow right shown



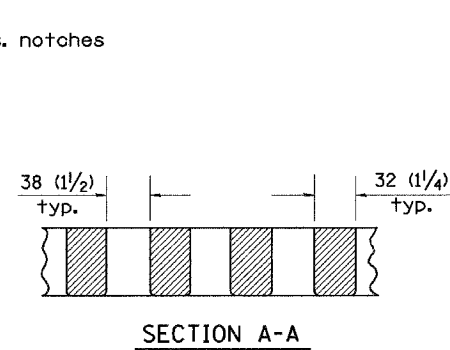
**CAST DIAGONAL GRATE**  
(Reversible for flow)  
98 kg (217 lbs.)



DETAIL A



DETAIL B



SECTION A-A

**GENERAL NOTES**

1. The frame and grate shown on this drawing are for use with all TYPE G-1 and TYPE G-1, SPECIAL DRAINAGE STRUCTURES. See plans for grate type and flow direction.
2. Flow direction: As viewed from street side.
3. Material: cast gray iron.

All dimensions are in millimeters (inches) unless otherwise noted.

ILLINOIS DEPARTMENT OF TRANSPORTATION			
DISTRICT CADD STANDARD			
FRAME AND GRATES FOR			
TYPE G-1 AND TYPE G-1, SPECIAL			
DRAINAGE STRUCTURES			
CADD STANDARD 604001-D4			
SCALE NOT TO SCALE		DRAWN BY: CADD	
DATE: **DATE**		CHECKED BY:	

DATE	REVISIONS	BY
1-1-97	RENUM. B-10.01, NEW REVISION BOX	T.P.

4. This drawing based upon "NEENAH" designs as follows: Inlet Frame: R-3246-A, Curb Box: R-3290, Reversible Diagonal Grate: R-3246-A, Vane Grates: R-3246-AL (flow left), R-3246-AL (flow right)

\$\$\$DATE\$\$\$