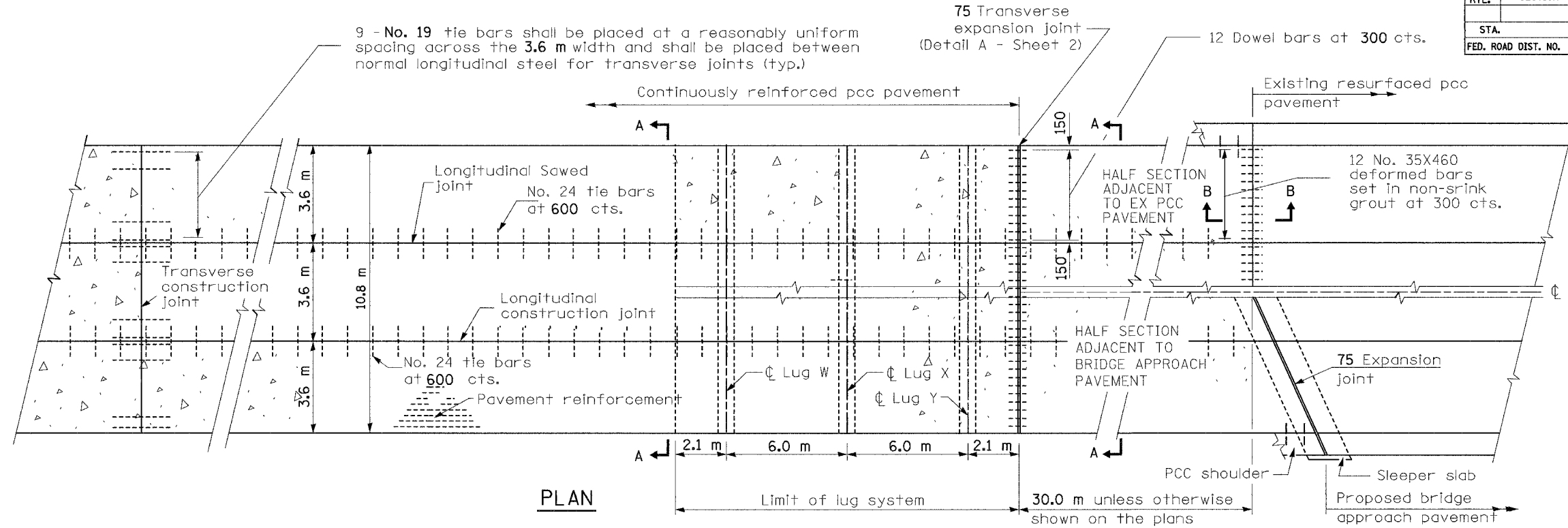
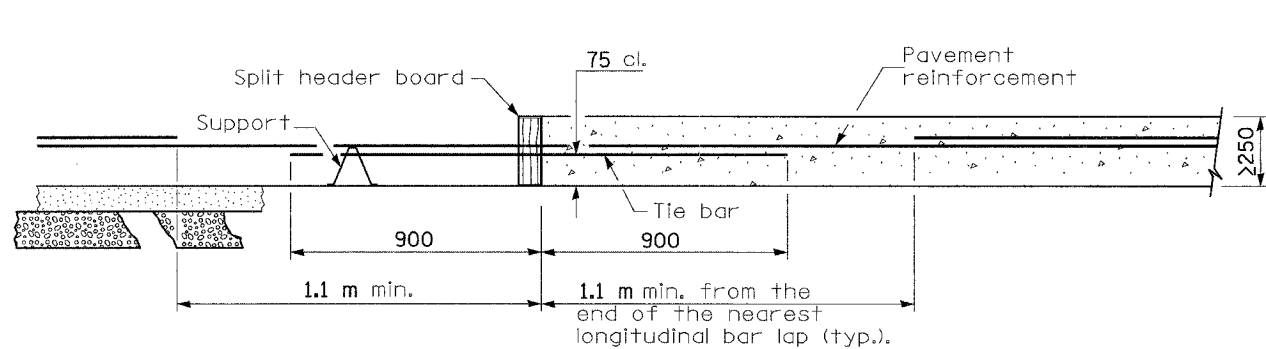


F.A. RTE.	SECTION	COUNTY	TOTAL SHEETS	SHEET NO.
			1366	666B
STA.		TO STA.		
FED. ROAD DIST. NO.		ILLINOIS FED. AID PROJECT		

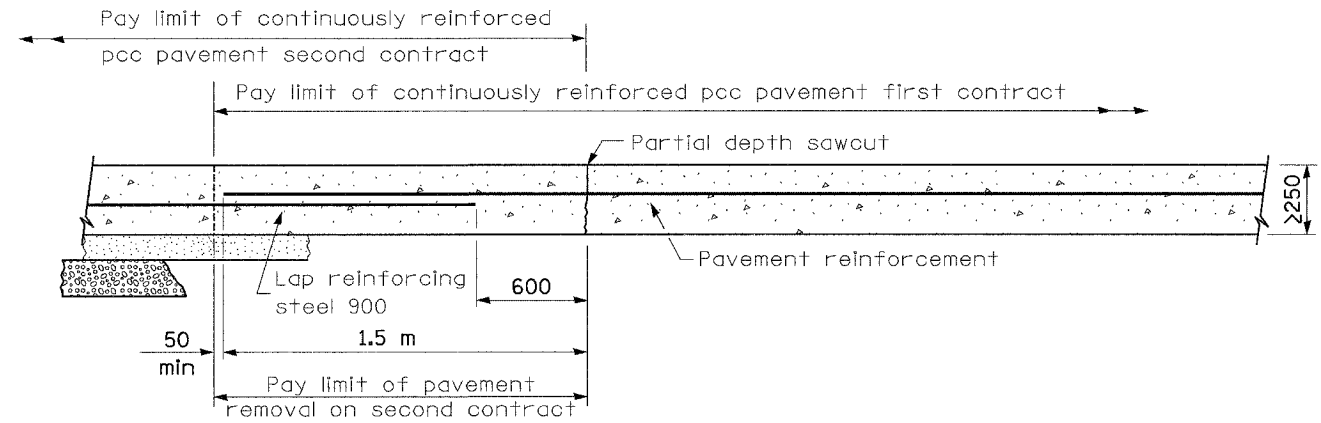


PLAN



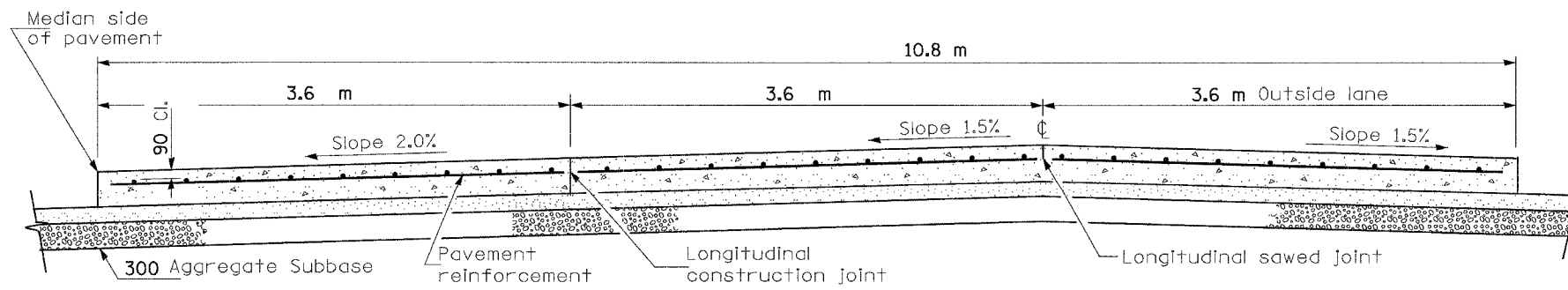
TRANSVERSE CONSTRUCTION JOINT

(Pavement Constructed in the Same Contract)



TRANSVERSE TERMINAL JOINT

(Continuation of a Pavement Constructed in a Previous Contract)



SECTION A-A

(TYPICAL 3-LANE, 1-WAY WITH SHOULDERS)

GENERAL NOTES

See Project Standard 421001-174 for details of I-74 pavement reinforcement.

Detail of joints as shown on Standard 420001 except as otherwise shown herein.

All dimensions are in millimeters unless otherwise shown.

REVISIONS	
NAME	DATE
INC. COMMENTS	3/7/02
REM. ENGL.	3/22/02
H.S. 2004	9/30/03
NOTE - 30M	10/6/03
SEC B-B & TERM JT	11/4/04

ILLINOIS DEPARTMENT OF TRANSPORTATION
 I-74 PROJECT STANDARD 421206-174
 10.8 m
 CRC PAVEMENT
 (WITH LUG SYSTEM) (Sheet 1 of 2)
 DRAWN BY
 DATE 09/21/01
 CHECKED BY

\\cadd\ay\174std\std17.dgn 12/16/2004 4:07:17 PM