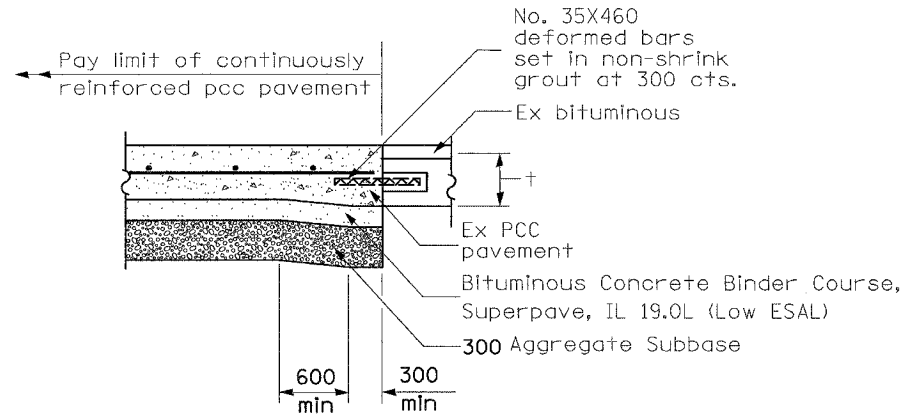
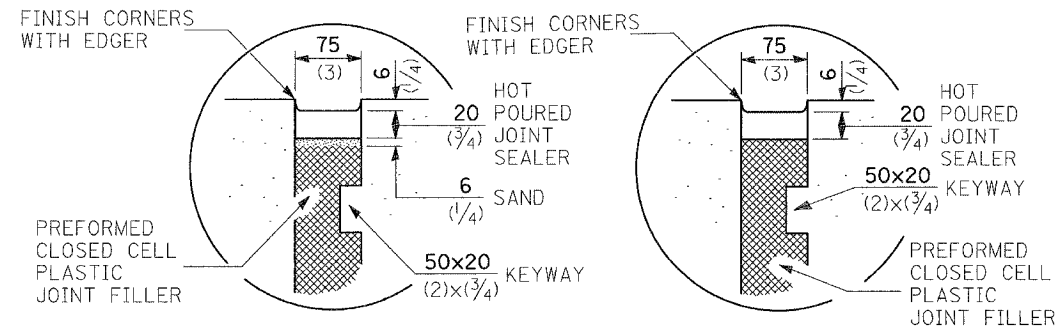


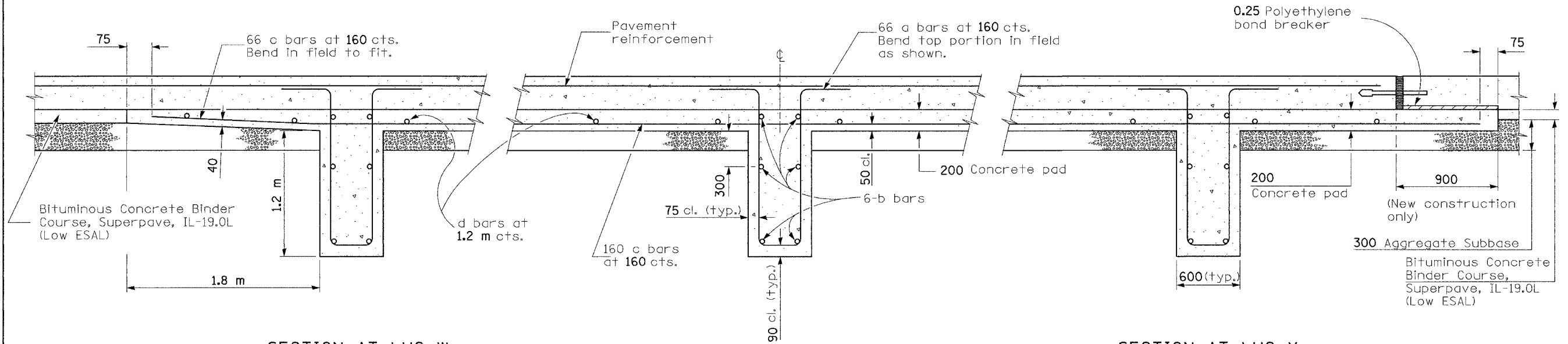
F.A. RTE.	SECTION	COUNTY	TOTAL SHEETS	SHEET NO.
			1300	669
STA.		TO STA.		
FED. ROAD DIST. NO.		ILLINOIS FED. AID PROJECT		



**SECTION B-B**  
(Showing reinforcement)



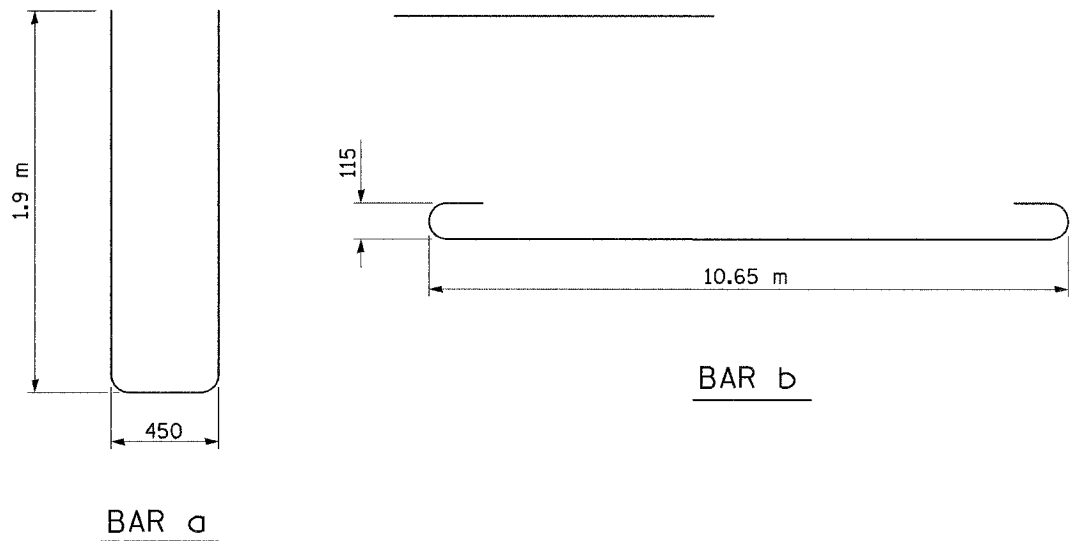
**DETAIL A**  
**SEALING DETAIL**



**SECTION AT LUG W**

**SECTION AT LUG X**

**SECTION AT LUG Y**



**MATERIALS REQUIRED FOR (1) ONE LUG SYSTEM**  
(Excluding Pavement Concrete and Pavement Reinforcement)

Bar	No.	Size	Length	Shape
a	198	No. 25	4.25 m	[U-shape]
b	18	No. 16	11.30 m	[I-shape]
c	198	No. 16	6.10 m	[I-shape]
d	42	No. 13	3.52 m	[I-shape]

Concrete, m <sup>3</sup>	23.3
Reinforcing Bars, kg	5695
Concrete Pad, m <sup>2</sup>	155.5
Aggregate Subbase, m <sup>2</sup>	168.5

All dimensions are in millimeters unless otherwise shown.

REVISIONS		ILLINOIS DEPARTMENT OF TRANSPORTATION <b>I-74 PROJECT STANDARD 421206-174</b> 10.8 m <b>CRC PAVEMENT</b> (WITH LUG SYSTEM) (Sheet 2 of 2) DRAWN BY CHECKED BY
NAME	DATE	
INC. COMMENTS	3/7/02	
REM. ENGL.	3/22/02	
H.S. 2004	9/30/03	
NOTE - 30M	10/6/03	
REV & ADD SEC B-B	11/4/04	
		DATE 09/21/01