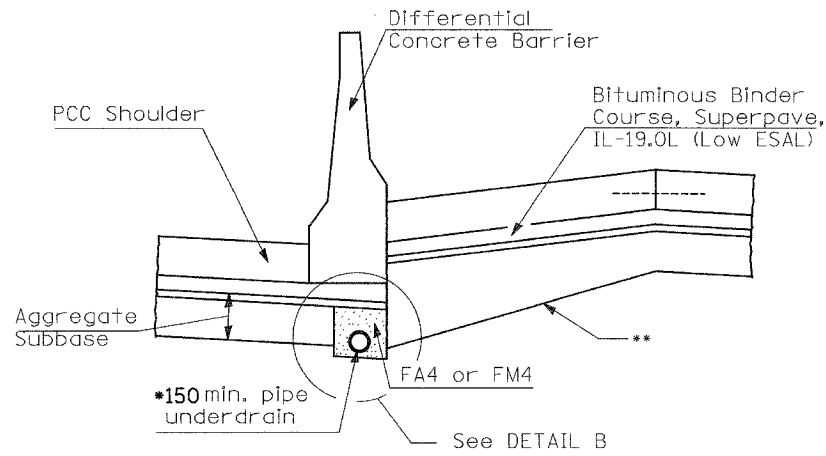
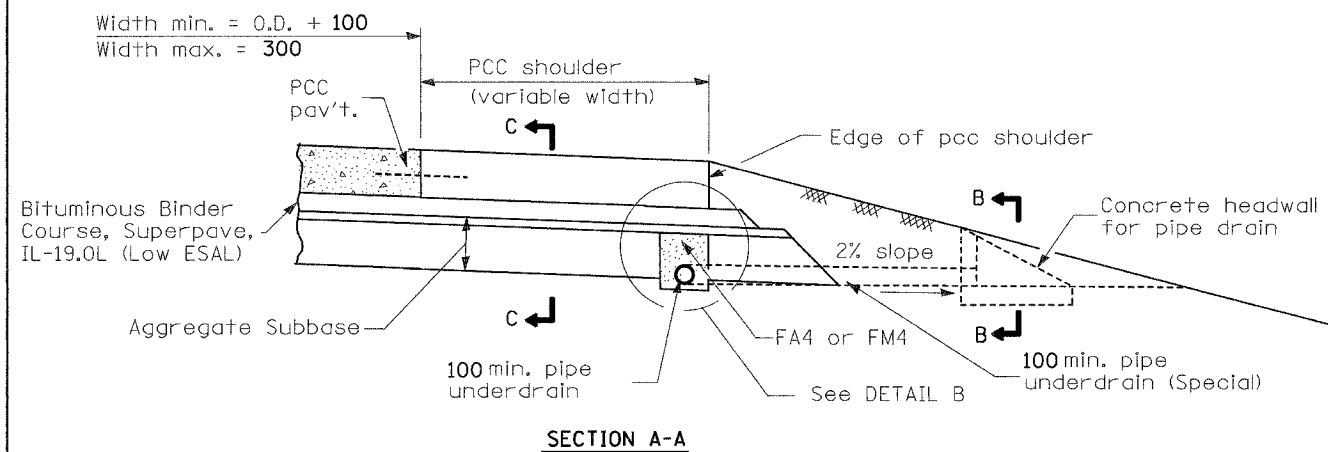


F.A. RTE.	SECTION	COUNTY	TOTAL SHEETS NO.	SHEET NO.
			1266	671
STA.		TO STA.		
FED. ROAD DIST. NO.		ILLINOIS FED. AID PROJECT		

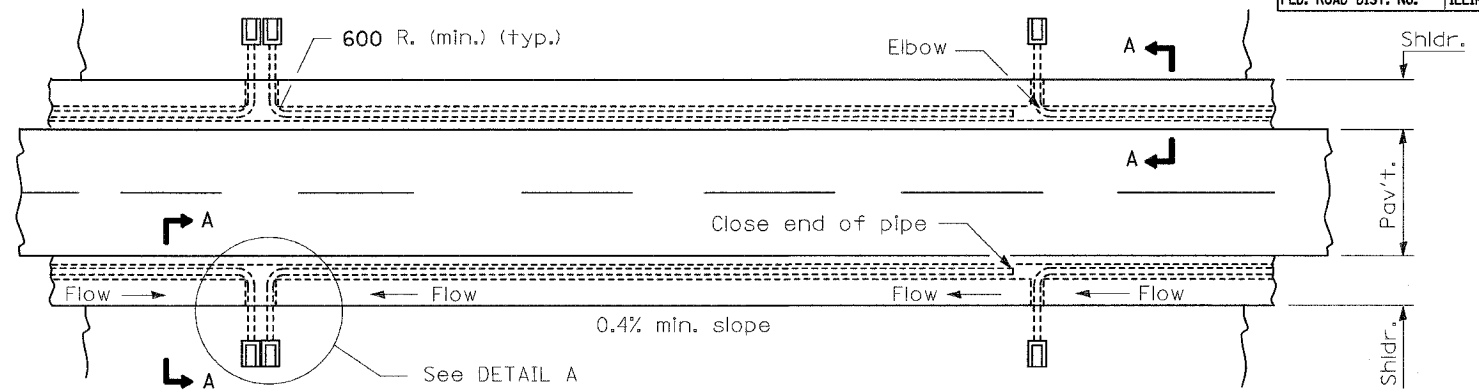


- * Pipe Underdrain shall be placed in the first stage constructed
- ** Transition bottom of aggregate subbase from edge of pavement to match elevation of aggregate subbase on lower side of barrier

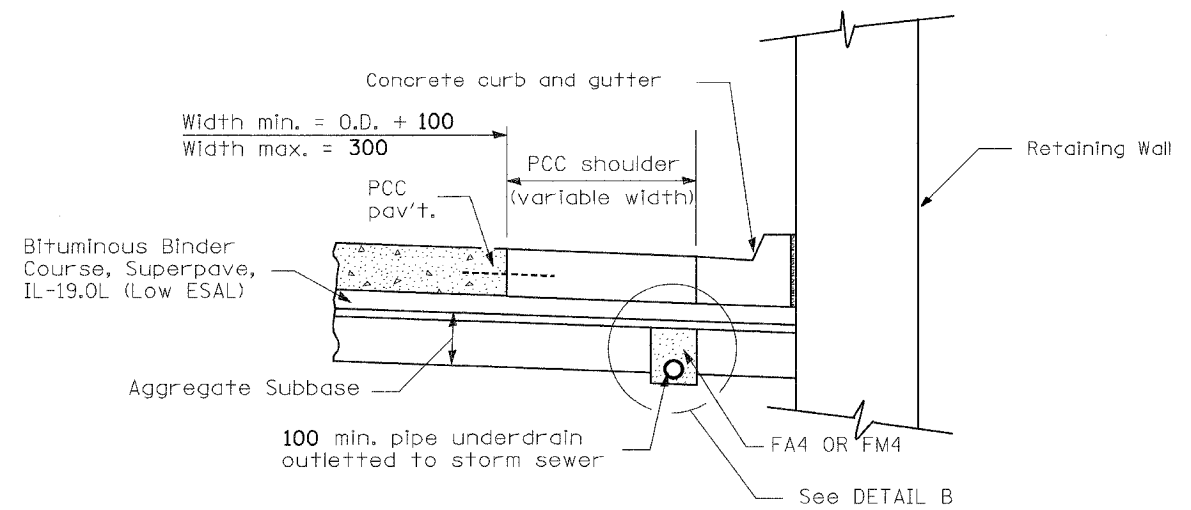
AT LOCATION WITH DIFFERENTIAL BARRIER



SECTION A-A

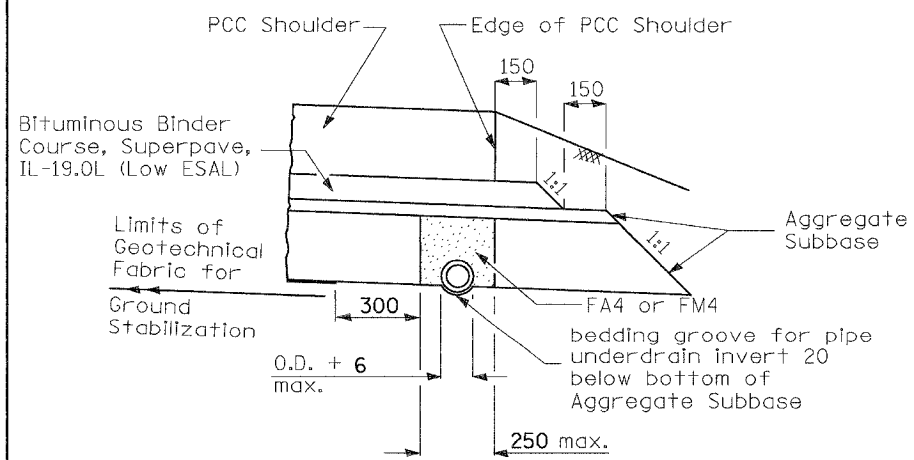


PLAN

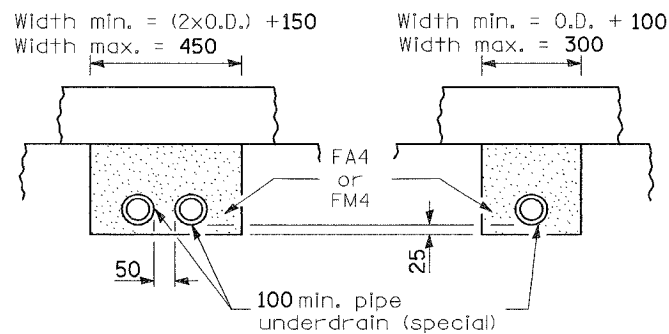


SECTION A-A

AT LOCATION WITH RETAINING WALLS

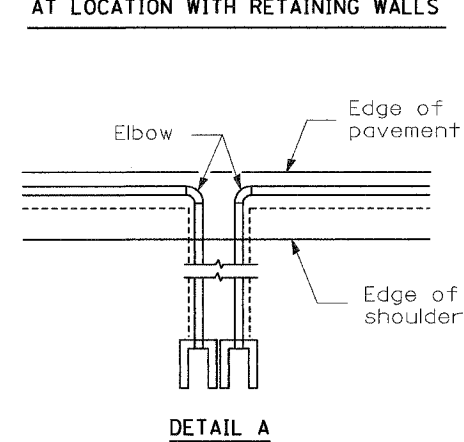


TRENCH FOR CORRUGATED POLYETHYLENE TUBING ALTERNATE

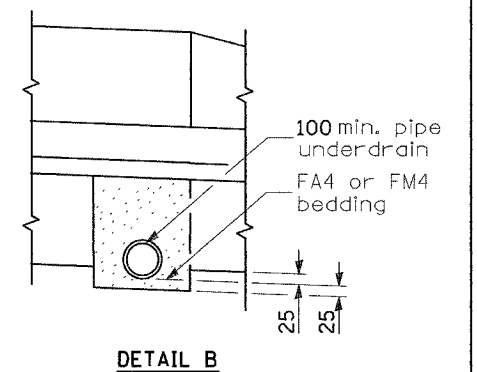


SECTION C-C
(Sag locations)

SECTION C-C



DETAIL A



DETAIL B

All dimensions are in millimeters unless otherwise shown.

REVISIONS	
NAME	DATE
INC. COMMENTS	3/7/02
REM. ENGL.	3/22/02
FA4 OR FM4	4/17/02
DETAIL B	12/10/03

ILLINOIS DEPARTMENT OF TRANSPORTATION
I-74 PROJECT STANDARD 601001-174
SUB-SURFACE DRAINS

DRAWN BY
CHECKED BY

DATE 09/21/01

K&P 14-10-01 P002/01/21 11:08:03 AM