

Phase2\Ver\102-5000.dgn 12/19/2004 2:19:59 PM

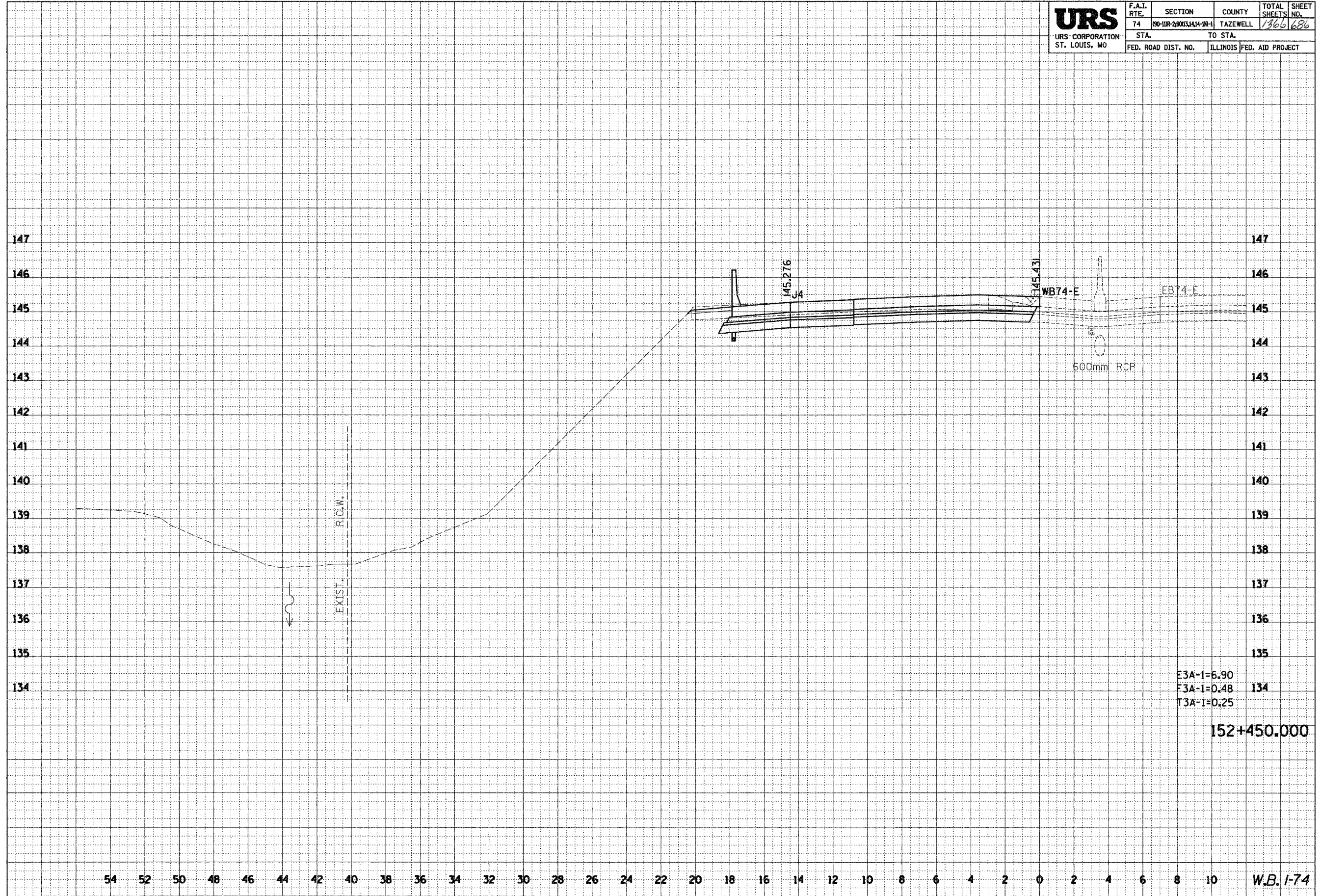
54 52 50 48 46 44 42 40 38 36 34 32 30 28 26 24 22 20 18 16 14 12 10 8 6 4 2 0 2 4 6 8 10

68201

URS URS CORPORATION ST. LOUIS, MO	F.A.I. RTE.	SECTION	COUNTY	TOTAL SHEETS	SHEET NO.
	74	(90-10R-29003,144-1R-1)	TAZEWELL	1366	686
STA.		TO STA.			
FED. ROAD DIST. NO.		ILLINOIS	FED. AID PROJECT		

FINAL SURVEY	DATE
SURVEYED	
NOTE BOOK	
NO.	
AREAS CHECKED	

ORIGINAL SURVEY	DATE
SURVEYED	
NOTE BOOK	
NO.	
AREAS CHECKED	



54 52 50 48 46 44 42 40 38 36 34 32 30 28 26 24 22 20 18 16 14 12 10 8 6 4 2 0 2 4 6 8 10 W.B. 1-74