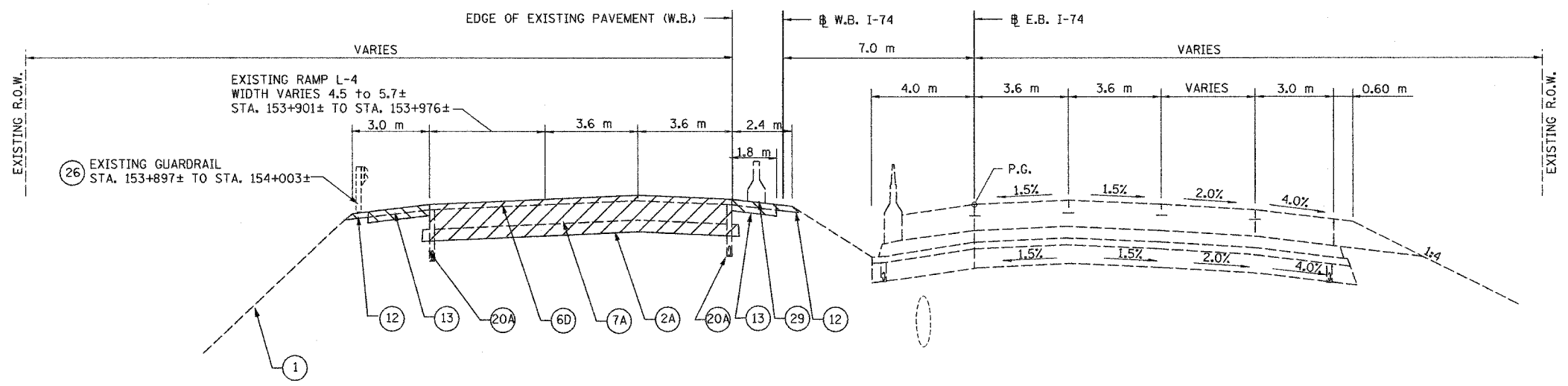


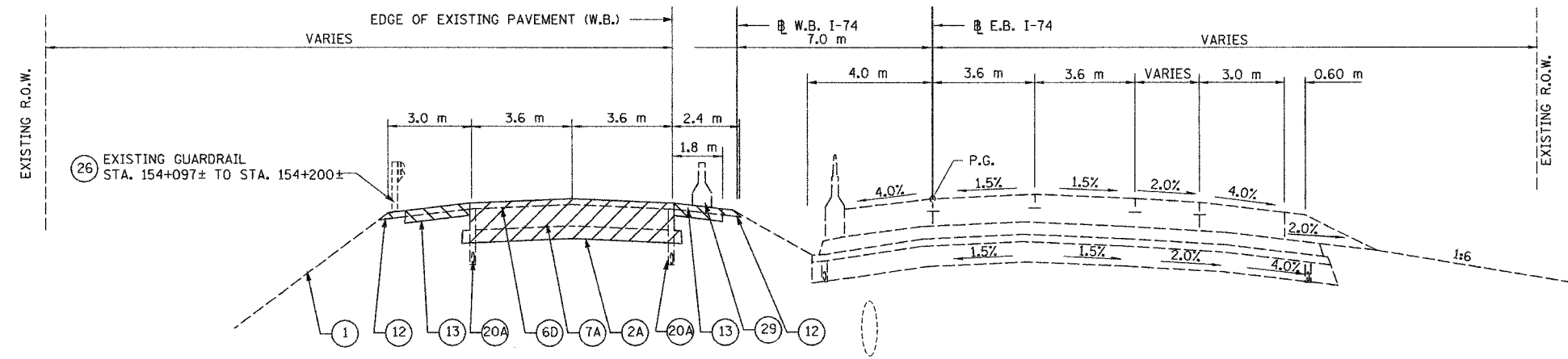
F.A.I. RTE.	SECTION	COUNTY	TOTAL SHEETS	SHEET NO.
74	*	TAZEWELL	1366	905
STA. 153+896.546		TO STA. 154+254.141		
FED. ROAD DIST. NO. 4		ILLINOIS FED. AID PROJECT		

• (90-11R-2)9013,14,14-1R-1



F.A.I. ROUTE 74 MAINLINE (W.B. I-74)
TYPICAL 1
STA. 153+896.546 TO STA. 154+025.164
EXISTING STRUCTURE WITHIN IMPROVEMENT LIMITS
STA. 153+892.180 TO STA. 153+896.546

- LEGEND**
- ① EXISTING GROUND LINE
 - ②A EX SUB-BASE GRANULAR MATERIAL 150MM
 - ⑥D EX BITUMINOUS RESURFACING 115 MM
 - ⑦A EX PCC PAVEMENT 250MM
 - ⑫ EX AGGREGATE SHOULDERS
 - ⑬ EX BITUMINOUS SHOULDERS
 - ⑳A EX PIPE UNDERDRAINS 100MM
 - ⑳ EX GUARDRAIL
 - ㉑ EX TEMPORARY CONCRETE BARRIER



F.A.I. ROUTE 74 MAINLINE (W.B. I-74)
TYPICAL 2
STA. 154+025.164 TO STA. 154+254.141

SHEET 1 OF 14

ALL STATIONS INDICATED ARE WESTBOUND STATIONING UNLESS OTHERWISE NOTED.



REVISIONS	
NAME	DATE

ILLINOIS DEPARTMENT OF TRANSPORTATION
F.A.I. ROUTE 74 (I-74)
EXISTING TYPICAL SECTION
STA. 153+896.546 TO STA. 154+254.141
DRAWN BY
DATE 01/07/2005
CHECKED BY

01/07/2005 05:46:08 PM
q:\dcto\5589-74\dwg\contract\15103-5g.dwg

CONTRACT 11: PLAN SET 2 OF 4 FINAL PLANS 01/05