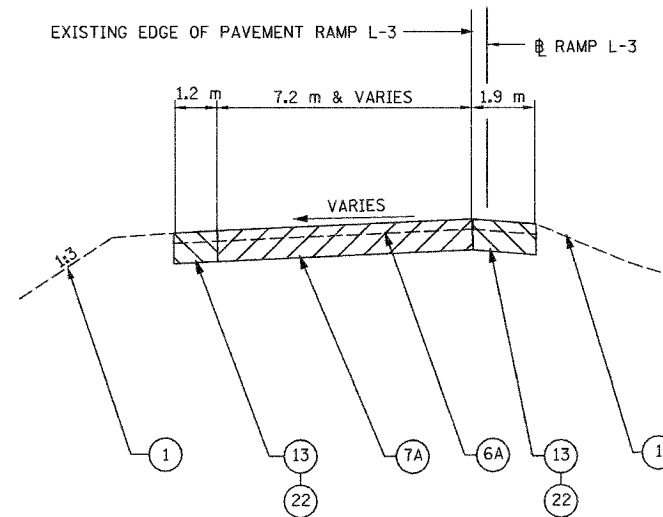


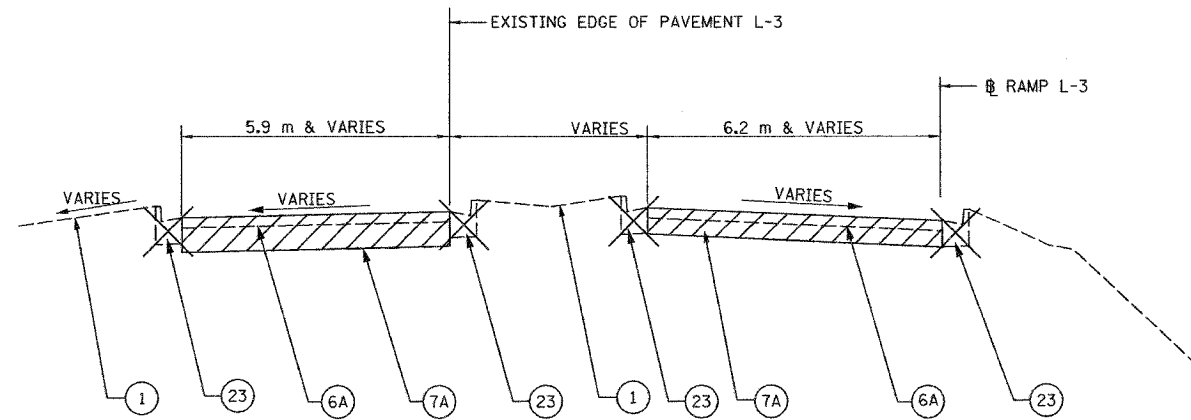
F.A.I. RTE.	SECTION	COUNTY	TOTAL SHEETS	SHEET NO.
74	*	TAZEWELL	1366	912
STA. 10+567.261		TO STA. 10+690.269		
FED. ROAD DIST. NO. 4		ILLINOIS FED. AID PROJECT		

* (90-111R-2;90113,14,14-1R-1



F.A.I. ROUTE 74 RAMP L-3
TYPICAL 3
STA. 10+567.261 TO STA. 10+675.802

- LEGEND**
- (1) EXISTING GROUND LINE
 - (6A) EX BITUMINOUS RESURFACING 75 MM
 - (7A) EX PCC PAVEMENT 250MM
 - (13) EX BITUMINOUS SHOULDERS
 - (22) EX CONCRETE GUTTER
 - (23) EX COMBINATION CONCRETE CURB & GUTTER



F.A.I. ROUTE 74 RAMP L-3
TYPICAL 4
STA. 10+675.802 TO STA. 10+690.269

SHEET 8 OF 14

ALL STATIONS INDICATED ARE WESTBOUND STATIONING UNLESS OTHERWISE NOTED.

REVISIONS	
NAME	DATE

DA
DAILY & ASSOCIATES,
ENGINEERS, INC.
PEORIA, ILLINOIS

ILLINOIS DEPARTMENT OF TRANSPORTATION
F.A.I. ROUTE 74 (I-74)
EXISTING TYPICAL SECTIONS
RAMP L-3
STA. 10+567.261 TO STA. 10+690.269
DRAWN BY
CHECKED BY
DATE 01/07/2005

01/07/2005 05:46:08 PM
D:\dot\5589-74\dwg\contr\cct\1103-5a.dwg

CONTRACT 11: PLAN SET 2 OF 4 FINAL PLANS 01/05