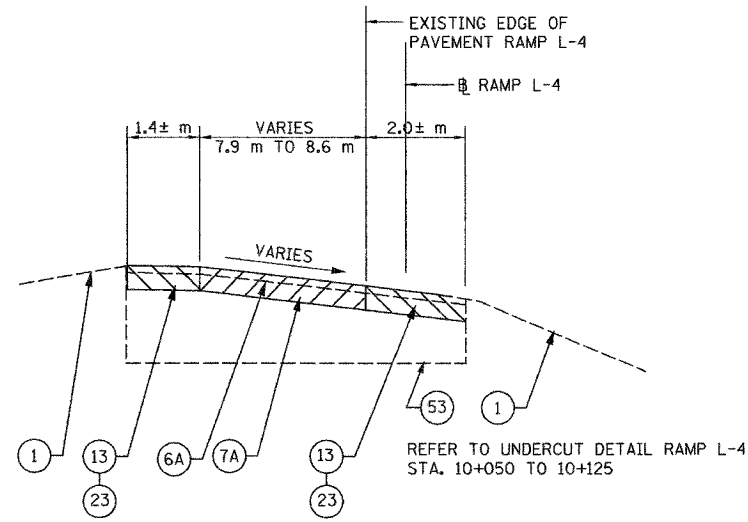


F.A.I. RTE.	SECTION	COUNTY	TOTAL SHEETS	SHEET NO.
74	*	TAZEWELL	1366	916
STA. 10+000.000		TO STA. 10+353.202		
FED. ROAD DIST. NO. 4		ILLINOIS FED. AID PROJECT		

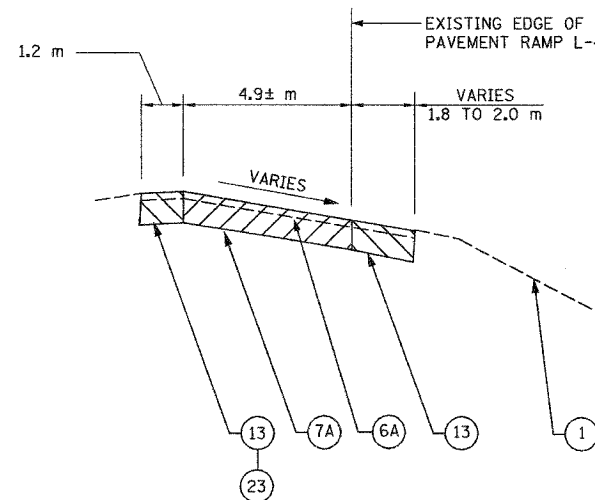
• (90-11R-2;9013,14,14-1R-1



F.A.I. ROUTE 74 RAMP L-4
TYPICAL 1
STA. 10+000.000 TO STA. 10+155.715

LEGEND

- ① EXISTING GROUND LINE
- ②A EX SUB-BASE GRANULAR MATERIAL 150MM
- ⑥A EX BITUMINOUS RESURFACING 75 MM
- ⑦A EX PCC PAVEMENT 250MM
- ⑫ EX AGGREGATE SHOULDERS
- ⑬ EX BITUMINOUS SHOULDERS
- ⑳A EX PIPE UNDERDRAINS 100MM
- ㉓ EX COMBINATION CONCRETE CURB & GUTTER
- ㉖ EX GUARDRAIL
- ⑤3 PR REMOVAL AND DISPOSAL OF UNSUITABLE MATERIAL



F.A.I. ROUTE 74 RAMP L-4
TYPICAL 2
STA. 10+155.715 TO STA. 10+353.202

SHEET 12 OF 14

ALL STATIONS INDICATED ARE WESTBOUND STATIONING UNLESS OTHERWISE NOTED.

REVISIONS	
NAME	DATE

DA & C
DAILY & ASSOCIATES,
ENGINEERS, INC.
PEORIA, ILLINOIS

ILLINOIS DEPARTMENT OF TRANSPORTATION
F.A.I. ROUTE 74 (I-74)
EXISTING TYPICAL SECTIONS
RAMP L-4
STA. 10+000.000 TO STA. 10+353.202
DRAWN BY
DATE 01/07/2005
CHECKED BY

01/07/2005 05:46:07 PM
C:\projects\5589-74\dwg\conttr\geth\10103-50.dgn

CONTRACT 11: PLAN SET 2 OF 4 FINAL PLANS 01/05