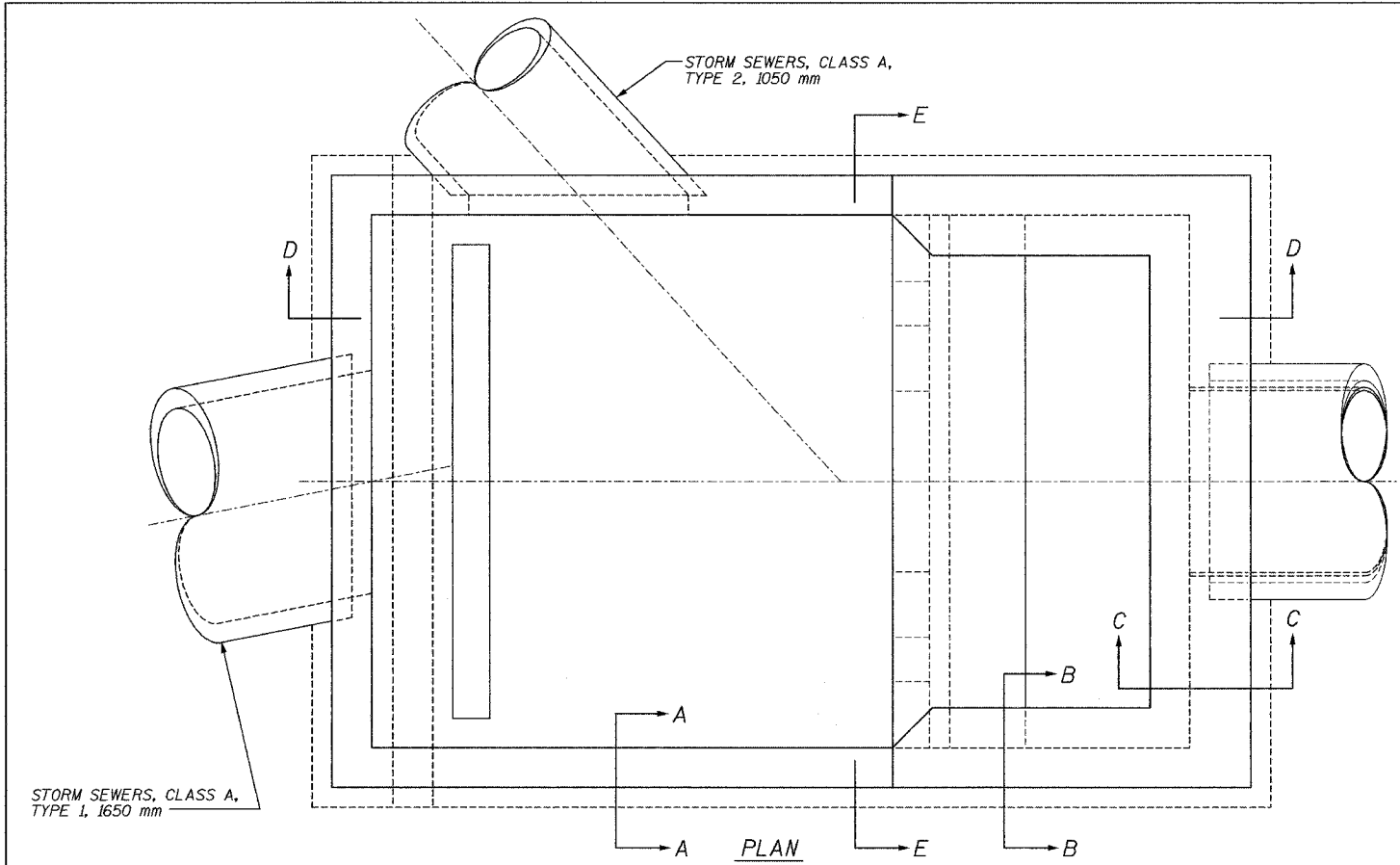


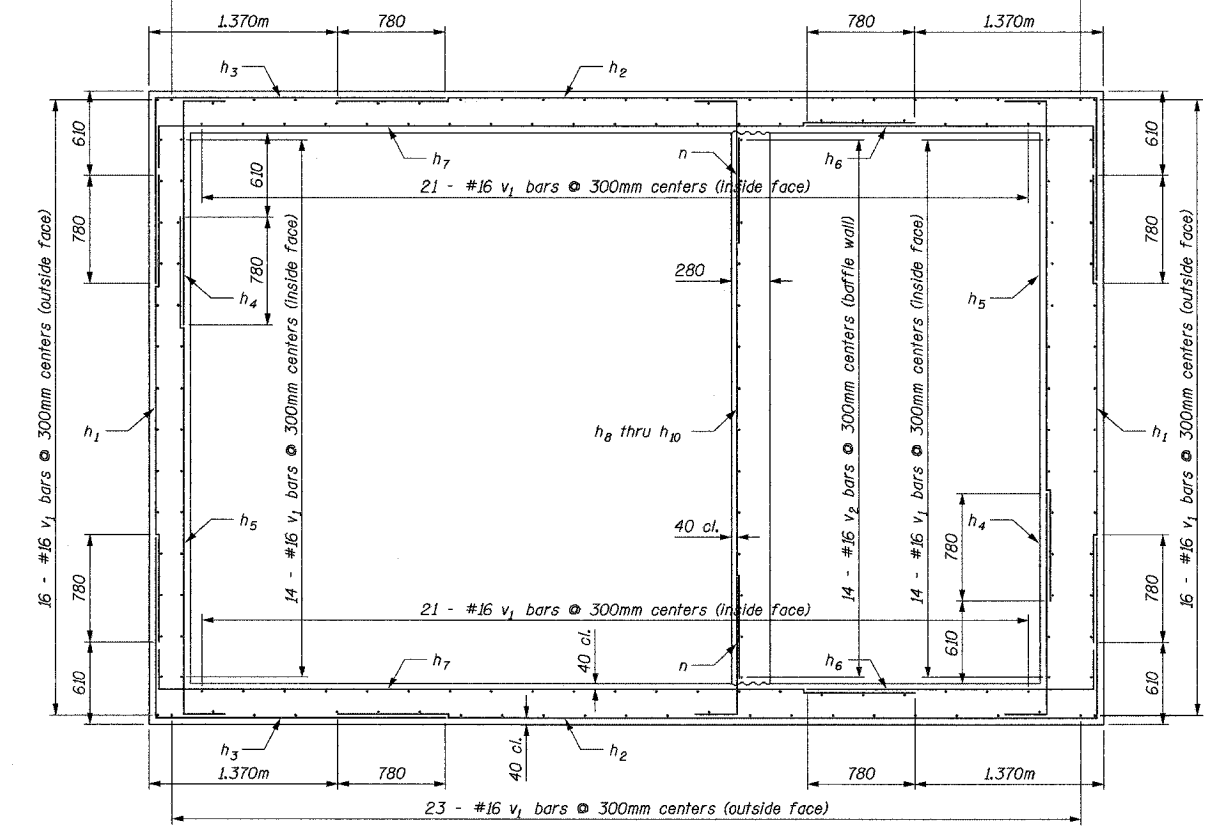
F.A.I. RTE.	SECTION	COUNTY	TOTAL SHEETS	SHEET NO.
74		TAZEWELL	1366	1045
STA.	TO STA.			
FED. ROAD DIST. NO. 4	ILLINOIS		FED. AID PROJECT	

(90-11)R-2,90(13,14,14-1)R-1

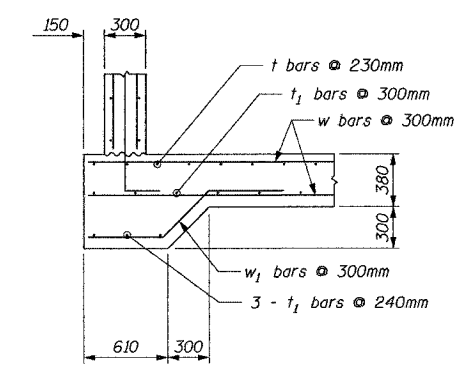


STORM SEWERS, CLASS A, TYPE 1, 1650 mm

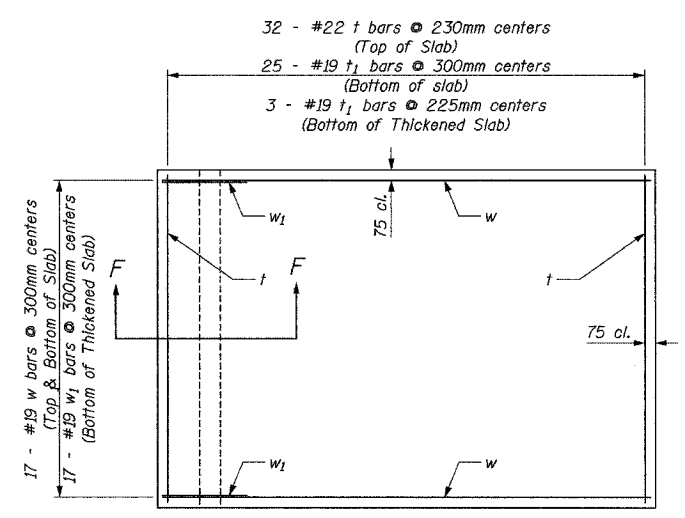
23 - #16 v<sub>1</sub> bars @ 300mm centers (outside face)



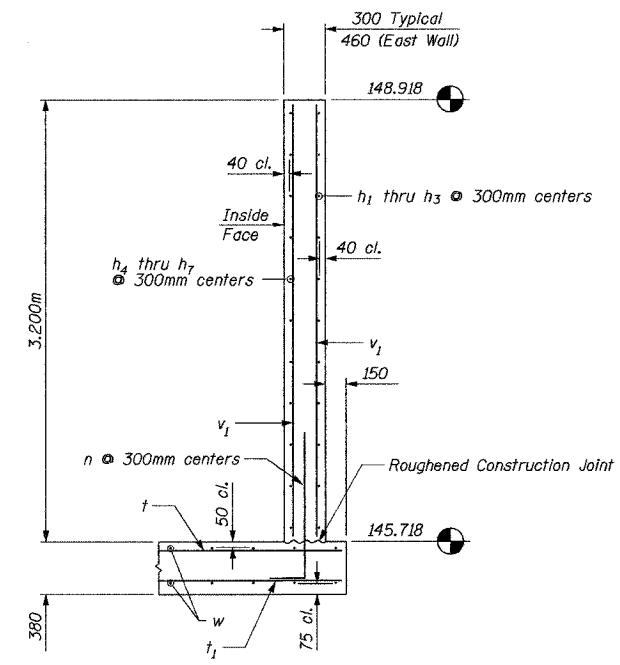
PLAN - WALL



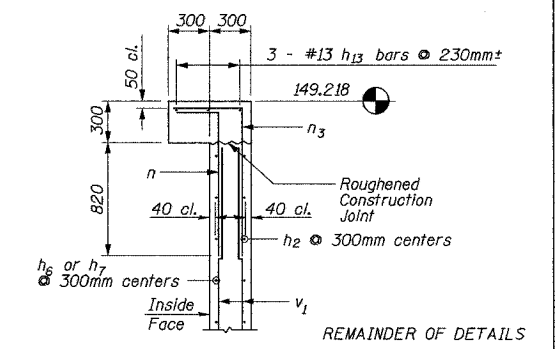
SECTION F-F



PLAN - SLAB

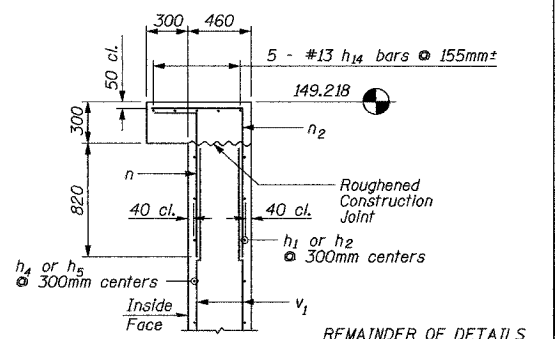


SECTION A-A



SECTION B-B

REMAINDER OF DETAILS SAME AS SECTION A-A



SECTION C-C

REMAINDER OF DETAILS SIMILAR TO SECTION A-A

All dimensions are in millimeters (mm) except as noted. Field cut bars at conflicts with pipe penetrations.

SHEET 2 OF 12

**D&A**  
DAILY & ASSOCIATES,  
ENGINEERS, INC.  
PEORIA, ILLINOIS

REVISIONS	
NAME	DATE

ILLINOIS DEPARTMENT OF TRANSPORTATION  
**DRAINAGE DETAIL**  
**STORM SEWER JUNCTION VAULT**  
**STA. 154+141.496**  
(SHEET 2 OF 3)  
DRAWN BY  
DATE 01/07/2005  
CHECKED BY

01/07/2005 01:21:08 PM  
G:\adriana\5599-74\dwg\contract\11\dd\01b-6a.dwg

CONTRACT 11: PLAN SET 2 OF 4 FINAL PLANS 01/05