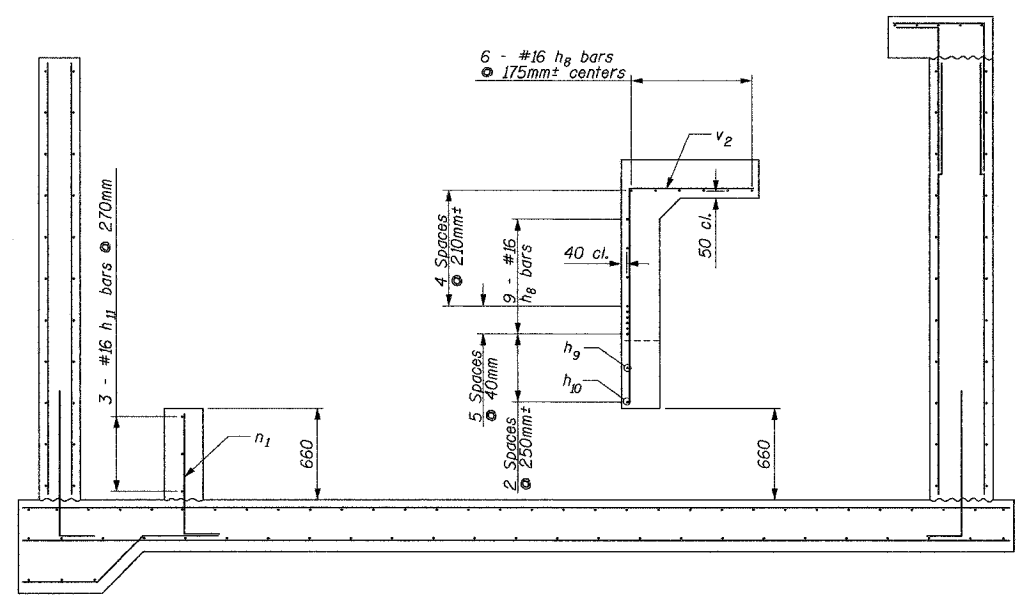
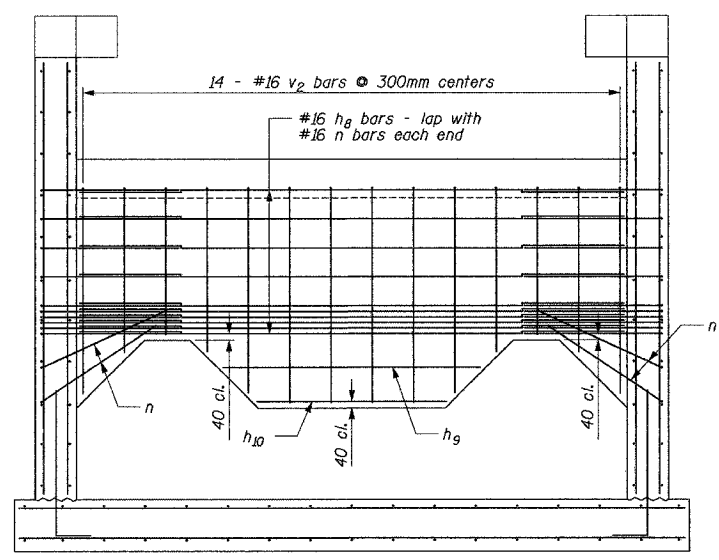


F.A.I. RTE.	SECTION	COUNTY	TOTAL SHEETS	SHEET NO.
74	*	TAZEWELL	366	1046
STA.	TO STA.			
FED. ROAD DIST. NO. 4	ILLINOIS	FED. AID PROJECT		

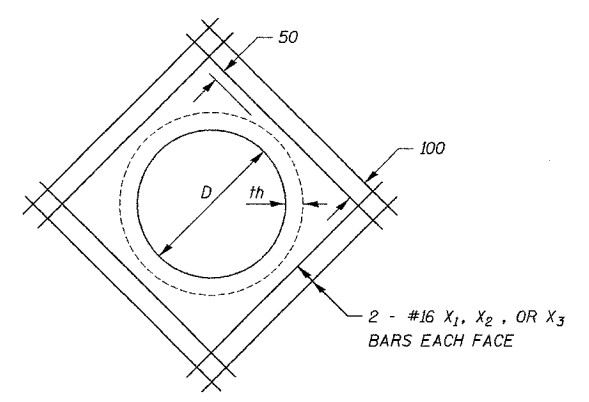
• (90-11)R-2;90(13,14,14-1)R-1



SECTION D-D



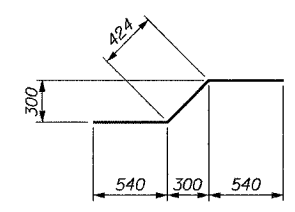
SECTION E-E



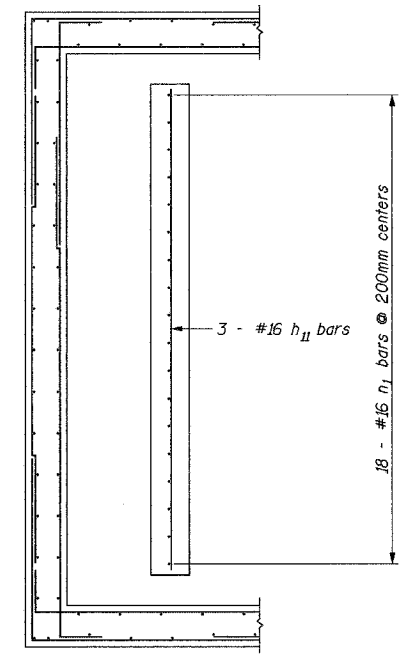
PIPE PENETRATION DETAIL

BARS MAY BE TRIMMED IF NEEDED AT WALL CORNERS

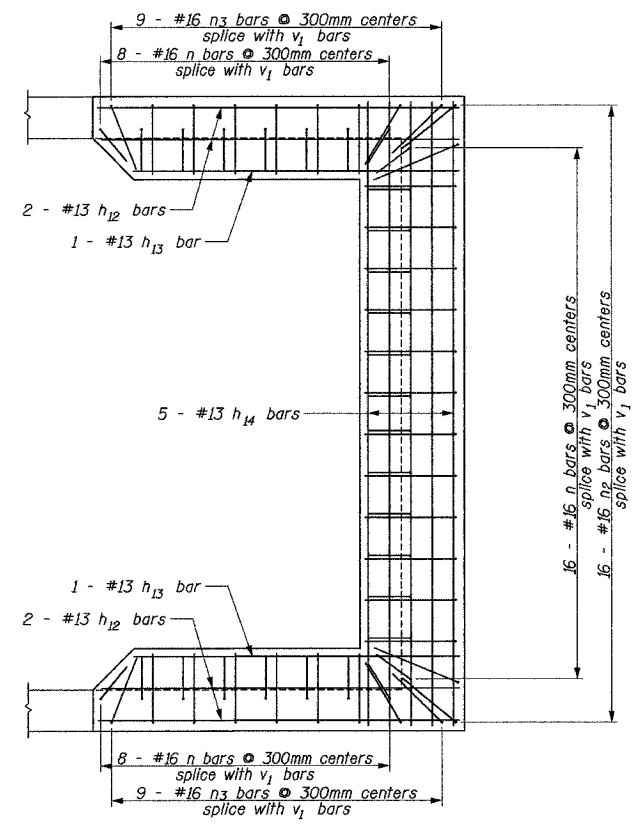
X₁ bars at 1650 mm pipe
X₂ bars at 1200 mm pipe
X₃ bars at 1524 mm pipe



w₁ BAR



WALL DETAIL



WALL DETAIL

BILL OF MATERIAL

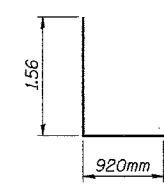
Bar	No.	Size	Length (m)	Shape
h ₁	22	#16	3.38	—
h ₂	22	#16	6.87	—
h ₃	22	#16	3.46	—
h ₄	22	#16	1.95	—
h ₅	22	#16	3.95	—
h ₆	22	#16	2.41	—
h ₇	22	#16	5.04	—
h ₈	15	#16	3.29	—
h ₉	1	#16	1.86	—
h ₁₀	1	#16	1.37	—
h ₁₁	3	#16	3.48	—
h ₁₂	4	#13	2.62	—
h ₁₃	2	#13	2.36	—
h ₁₄	5	#13	4.52	—
v ₁	148	#16	3.12	—
v ₂	14	#16	2.48	—
n	138	#16	1.22	—
n ₁	18	#16	1.23	—
n ₂	16	#16	1.73	—
n ₃	18	#16	1.57	—
w	34	#19	7.15	—
w ₁	17	#19	1.50	—
t	32	#22	4.82	—
t ₁	28	#19	4.82	—
x ₁	16	#16	2.38	—
x ₂	16	#16	1.85	—
x ₃	16	#16	2.23	—
Class SI Concrete			m ³	40.7
Reinforcement Bars			kg	3787
Aggregate Special			m ton	5.0
Chain Link Fence, 1.8 m			meter	28.3
Chain Link Gates, 1.8 x 2.4 Single			each	1

Bar	A (m)	B (m)
h ₂	1.35	5.52
h ₃	1.35	2.11
h ₄	300mm	1.65
h ₅	300mm	3.65
h ₆	300mm	2.11
h ₇	300mm	4.74

h₂, h₃, h₄, h₅, h₆, h₇ BARS

Bar	A (m)	B (m)
n	300mm	915mm
n ₁	300mm	925mm
n ₂	664mm	1.07
n ₃	504mm	1.07

n, n₁, n₂, n₃ BARS



v₂ BAR

All dimensions are in millimeters (mm) except as noted.
Field cut bars at conflicts with pipe penetrations.

SHEET 3 OF 12

DA & A
DAILY & ASSOCIATES,
ENGINEERS, INC.
PEORIA, ILLINOIS

REVISIONS	
NAME	DATE

ILLINOIS DEPARTMENT OF TRANSPORTATION
DRAINAGE DETAIL
STORM SEWER JUNCTION VAULT
STA. 154+141.496
(SHEET 3 OF 3)
DRAWN BY
DATE 01/07/2005
CHECKED BY

01/07/2005 01:21:09 PM
G:\data\9589-74\dwg\contract\1\ddidlc-6a.dwg

CONTRACT 11: PLAN SET 2 OF 4 FINAL PLANS 01/05