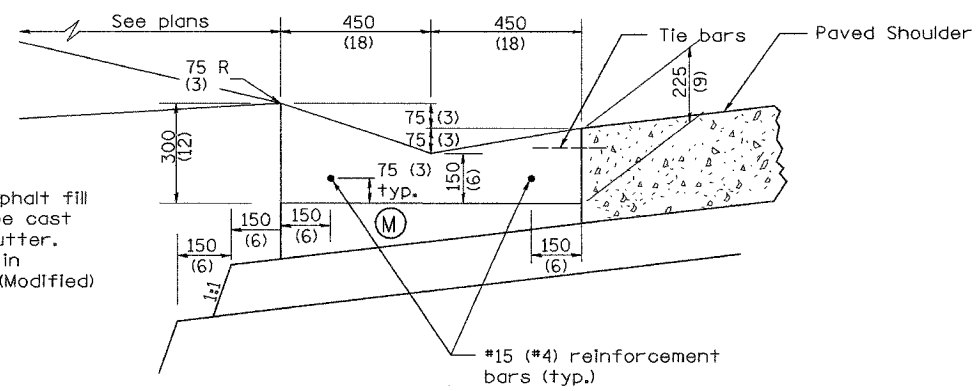


F.A.I. RTE.	SECTION	COUNTY	TOTAL SHEETS	SHEET NO.
74		TAZEWELL	1366	1047
STA.	TO STA.			
FED. ROAD DIST. NO. 4	ILLINOIS FED. AID PROJECT			

• (90-11)R-2;90(13,14,14-1)R-1

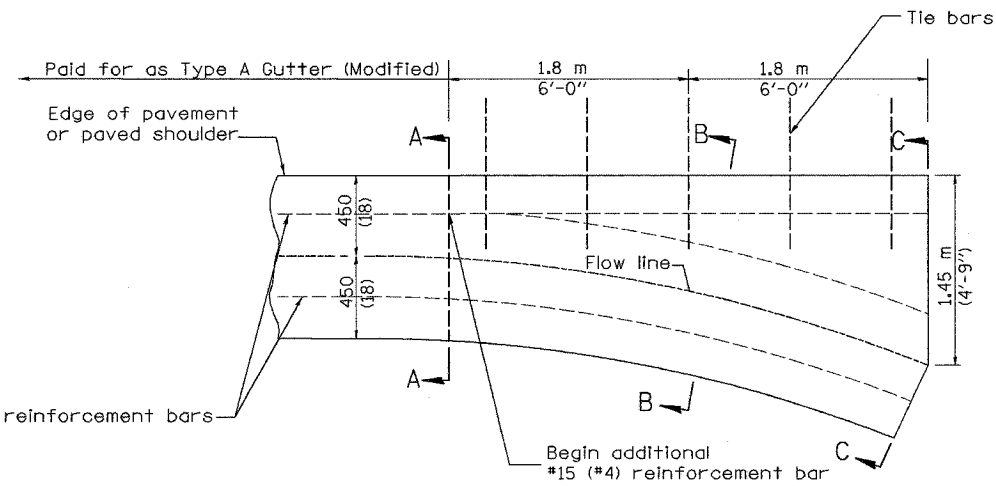
(M) Concrete or asphalt fill  
Concrete may be cast  
Integral with gutter.  
Cost incidental in  
Type A Gutter (Modified)



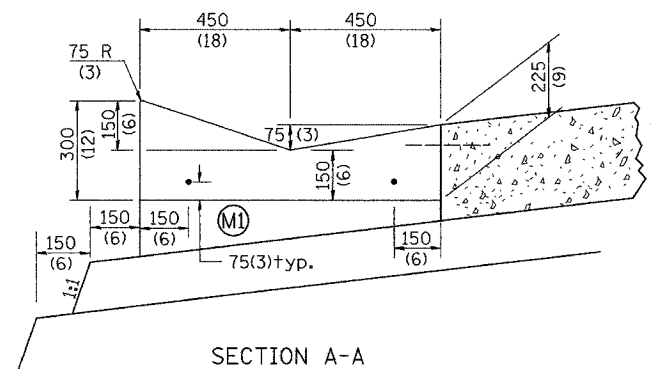
**SHOULDER EDGE GUTTER**

Refer to "Typical Sections"  
for pavement materials

**TYPE A GUTTER (MODIFIED)**

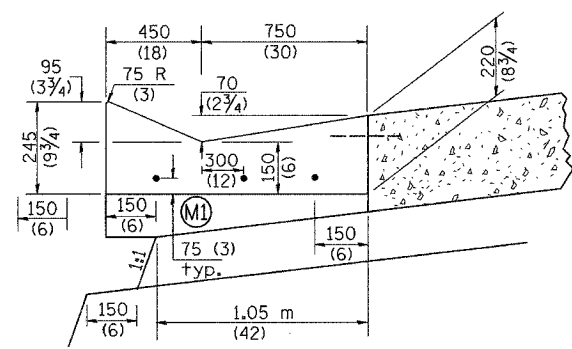


**PLAN**



**SECTION A-A**

Refer to "Typical Sections"  
for pavement materials



**SECTION B-B**

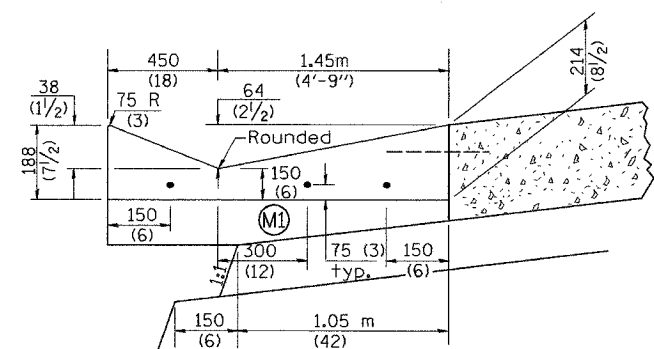
Refer to "Typical Sections"  
for pavement materials

QUANTITY	
Section A-A to C-C	1.307 m <sup>3</sup> (1.709 cu. yd.) concrete.
Paid for as Class SI Concrete (Inlet)	

(M1) Concrete fill may be cast  
Integral with gutter.  
Cost included in the  
concrete volume.  
"Section A-A to C-C"

**GENERAL NOTES:**

1. TYPE A GUTTER (MODIFIED) shall conform to the applicable portions of Section 606.
2. Tie bars shall be No. 20 (No. 6) at 600 mm (24") centers unless otherwise shown.
3. Gutter, gutter inlets, gutter outlets, and gutter entrances shall be tied to rigid pavement in accordance with details shown on Standard 420001.
4. Joints shall be constructed in accordance with Article 606.06.
5. Welded wire fabric shall conform to Article 1006.10(c)(1), and shall not be less than 2.83 kg/m<sup>2</sup> (58 lbs/100 sq.ft.).
6. Detail as shown on District CADD Standard 606106-D4 except as shown herein.



**SECTION C-C**

Refer to "Typical Sections"  
for pavement materials

**INLET**

All dimensions are in millimeters  
(Inches) unless otherwise noted.

SHEET 4 OF 12

ALL STATIONS INDICATED ARE WESTBOUND  
STATIONING UNLESS OTHERWISE NOTED.

DATE	REVISIONS	BY
1-1-97	RENUM. A-1.02, NEW REVISION BOX, ELIMINATED EXPANSION ANCHOR TIES.	T.P.



REVISIONS	
NAME	DATE

ILLINOIS DEPARTMENT OF TRANSPORTATION  
**DRAINAGE DETAIL**  
**TYPE A GUTTER (MODIFIED)**  
**(INLET, OUTLET & INLETS, SPECIAL)**  
SHEET 1 OF 3  
SCALE: NOT DRAWN TO SCALE  
DATE 01/07/2005  
DRAWN BY CADD  
CHECKED BY

01/07/2005 01:21:09 PM  
G:\adot\15589-74\dwg\contract\1\0102-6a.dgn

\*DGN-ONLY\*

CONTRACT 11: PLAN SET 2 OF 4 FINAL PLANS 01/05