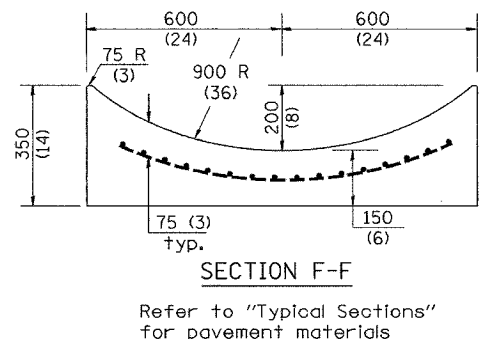
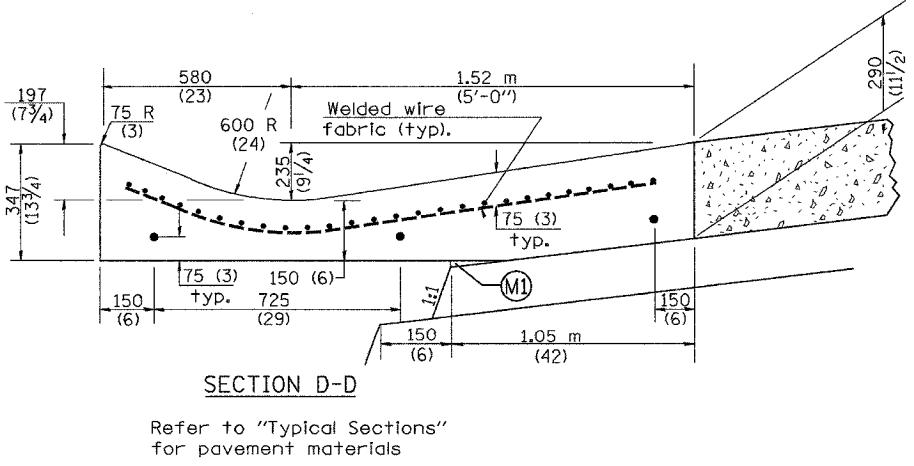
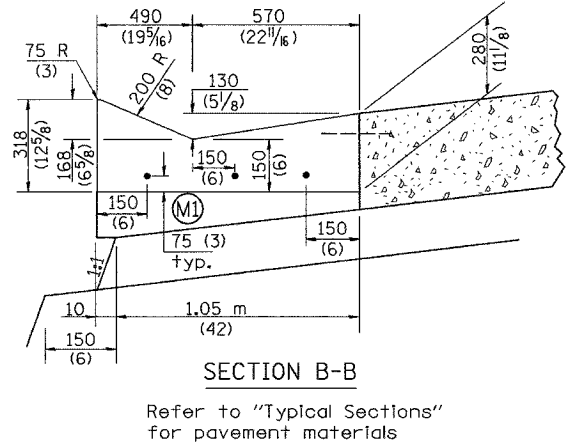
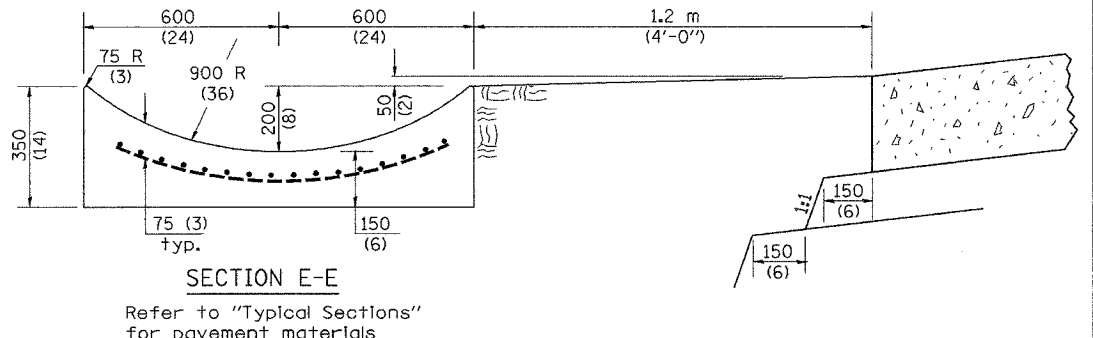
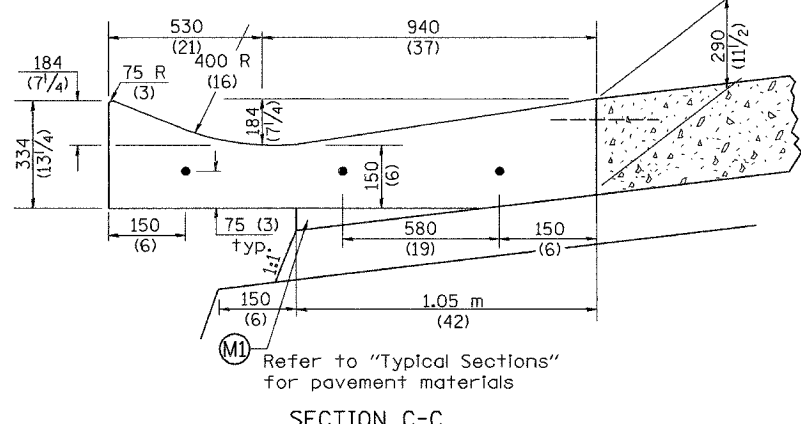
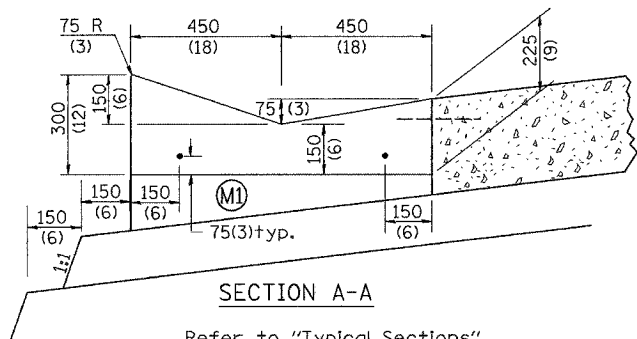
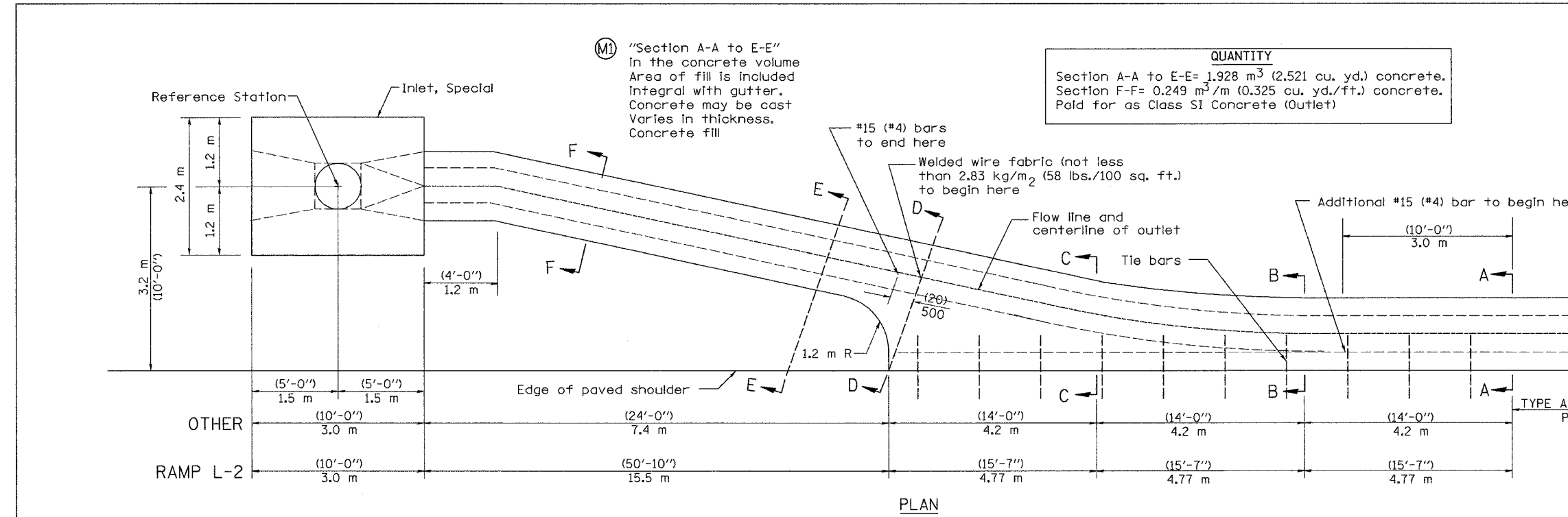


F.A.I. RTE.	SECTION	COUNTY	TOTAL SHEETS	SHEET NO.
74	*	TAZEWELL	1366	1048
STA.	TO STA.			
FED. ROAD DIST. NO. 4	ILLINOIS FED. AID PROJECT			

• (90-11)R-2(90)13,14,14-1R-1



OUTLET

All dimensions are in millimeters (inches) unless otherwise noted.

**DA & A**  
 DAILY & ASSOCIATES,  
 ENGINEERS, INC.  
 PEORIA, ILLINOIS

REVISIONS	
NAME	DATE

ALL STATIONS INDICATED ARE WESTBOUND STATIONING UNLESS OTHERWISE NOTED.

ILLINOIS DEPARTMENT OF TRANSPORTATION  
 DRAINAGE DETAIL  
 TYPE A GUTTER (MODIFIED)  
 (INLET, OUTLET & INLETS, SPECIAL)  
 SHEET 2 OF 3  
 DRAWN BY  
 CHECKED BY  
 DATE 01/07/2005

01/07/2005 01:21:10 PM  
 G:\data\55889-14\dwg\contract\11\ddi03-5a.dgn

CONTRACT 11: PLAN SET 2 OF 4 FINAL PLANS 01/05