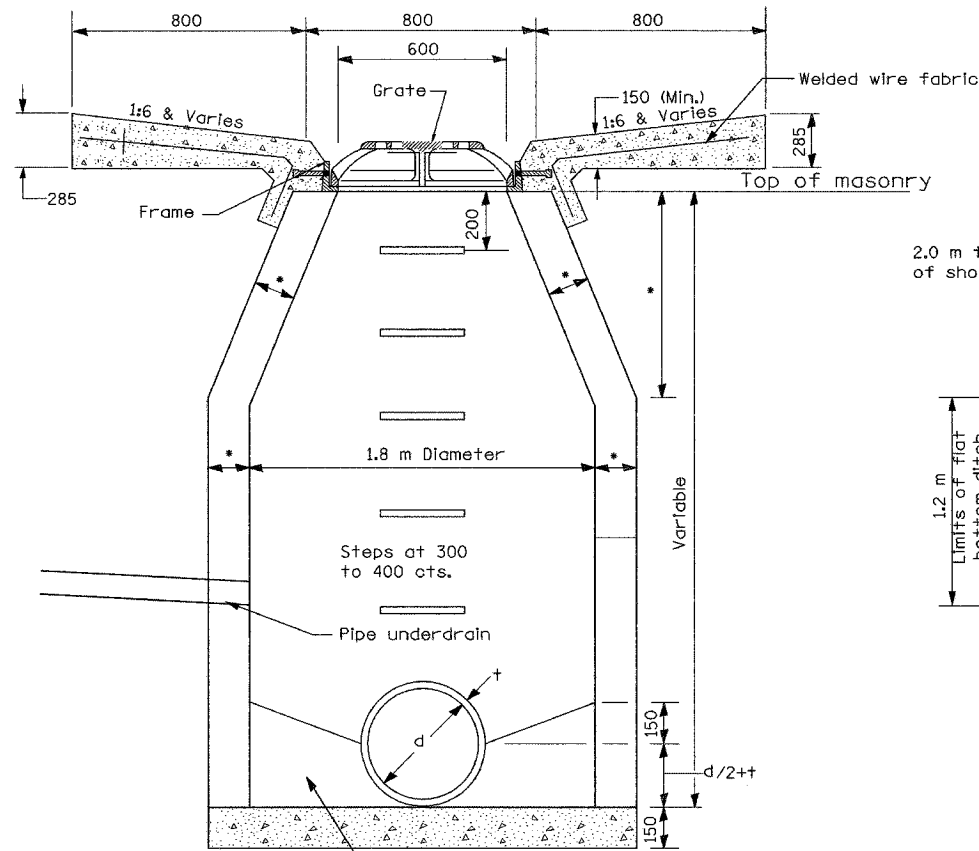


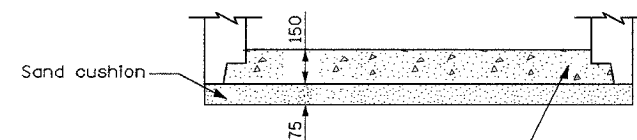
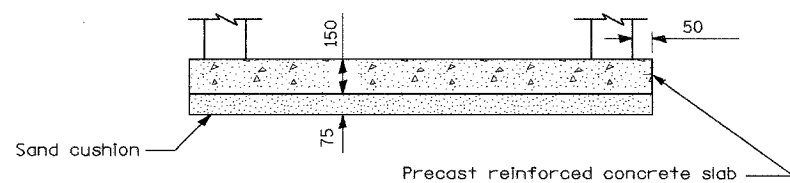
F.A.I. RTE.	SECTION	COUNTY	TOTAL SHEETS	SHEET NO.
74	*	TAZEWELL	1266	1049
STA.	TO STA.			
FED. ROAD DIST. NO. 4	ILLINOIS		FED. AID PROJECT	

• 90-111R-2:90(13,14,14-1R-1



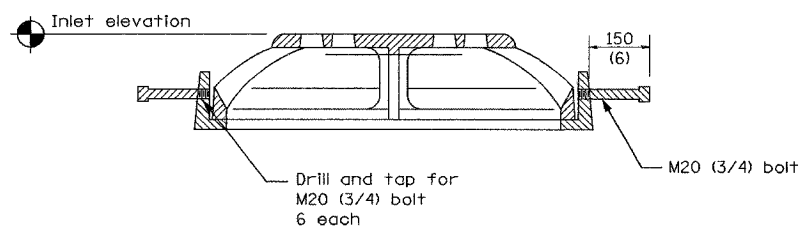
SECTION B-B

* See Standard 602401 for additional information



Prefabricated concrete slab, when the precast reinforced concrete section alternate is used.

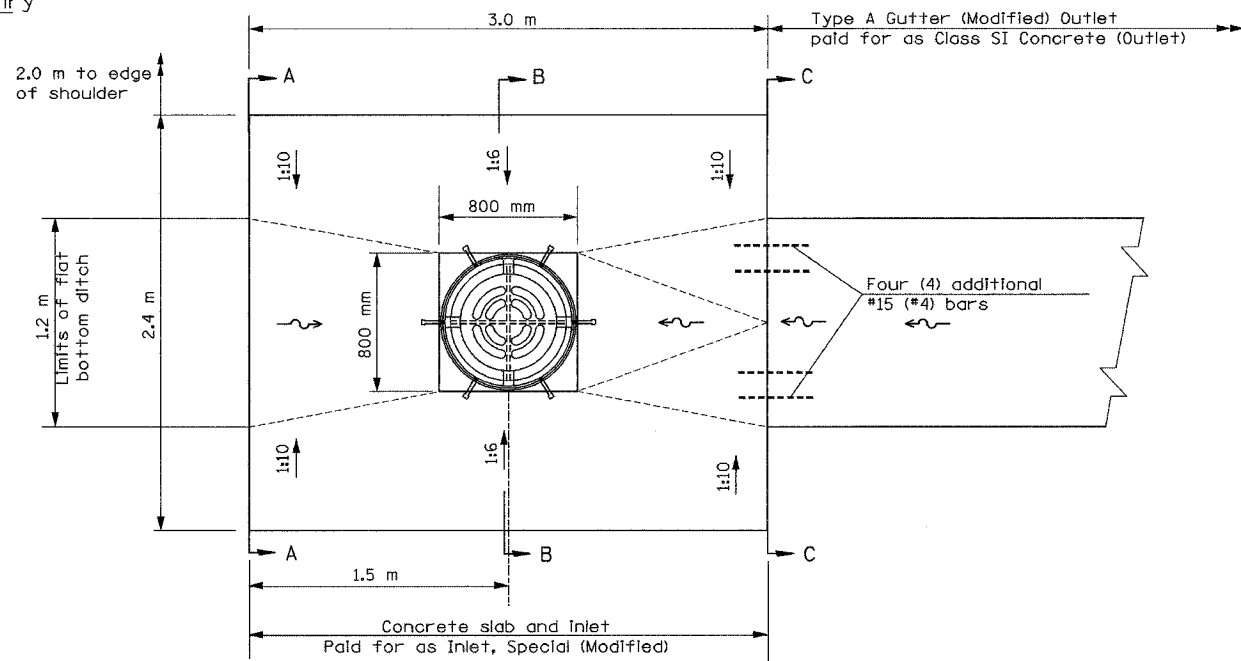
ALTERNATE BOTTOM SLAB



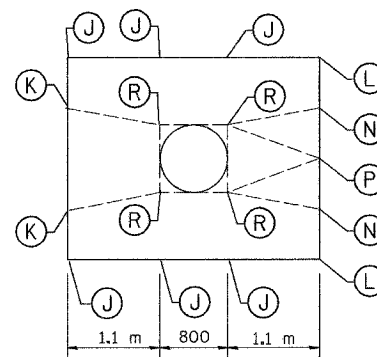
INLETS, SPECIAL GRATE DETAIL

See Standard 604101

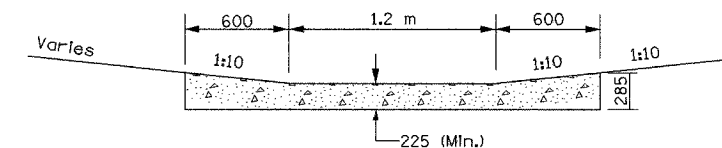
QUANTITY
Section A-A to C-C= 1.593 m³ (2.083 cu. yd.) concrete.
Concrete Included in the cost of Inlet, Special



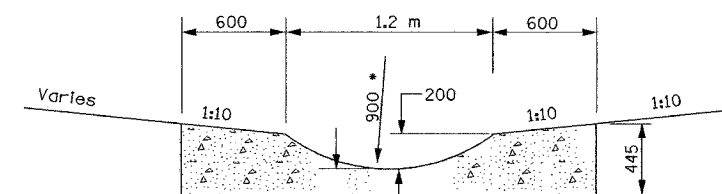
INLETS, SPECIAL PLAN



STRUCTURE NUMBER	STATION	OFFSET	INLET ELEV.	ELEV. J	ELEV. K	ELEV. L	ELEV. N	ELEV. P	ELEV. R
604	154+362.000	21.382 LT.	160.573	160.706	160.646	160.868	160.808	160.573	160.573



SECTION A-A



SECTION C-C

* Radius and width of 900 MM radius channel transition from SECTION C-C to SECTION B-B

SHEET 6 OF 12

ALL STATIONS INDICATED ARE WESTBOUND STATIONING UNLESS OTHERWISE NOTED.



REVISIONS	
NAME	DATE

ILLINOIS DEPARTMENT OF TRANSPORTATION
DRAINAGE DETAIL
TYPE A GUTTER (MODIFIED)
(INLET, OUTLET &
INLETS, SPECIAL)
DRAWN BY
DATE 01/07/2005
CHECKED BY

01/07/2005 01:21:10 PM
q:\data\5589-74\dwg\contr\sect\11\dl104-5a.dgn

CONTRACT 11: PLAN SET 2 OF 4 FINAL PLANS 01/05