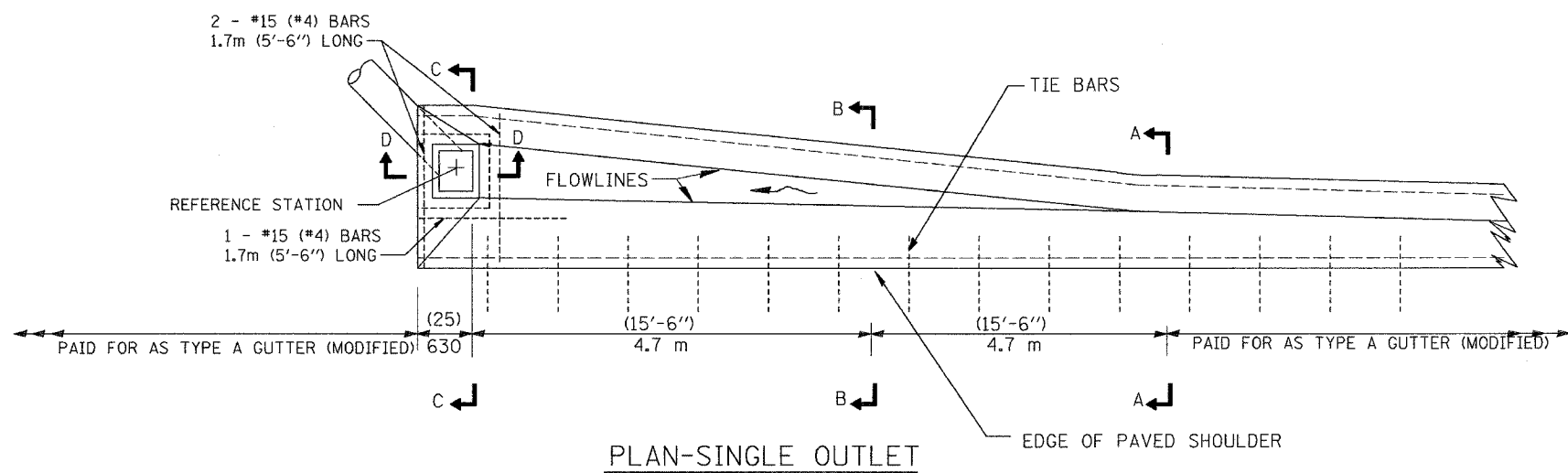


F.A.I. RTE.	SECTION	COUNTY	TOTAL SHEETS	SHEET NO.
T4	*	TAZEWELL	1366	1050
STA.	TO STA.			
FED. ROAD DIST. NO. 4	ILLINOIS FED. AID PROJECT			

• (90-11)R-2:90(13,14,14-1)R-1



QUANTITIES

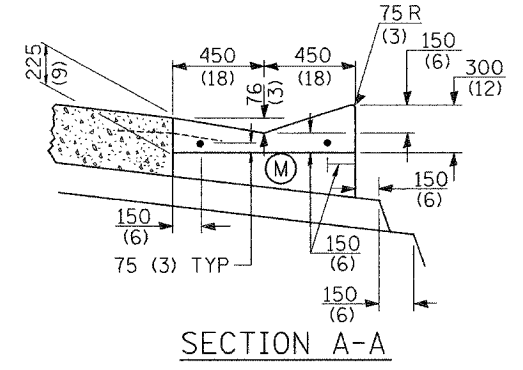
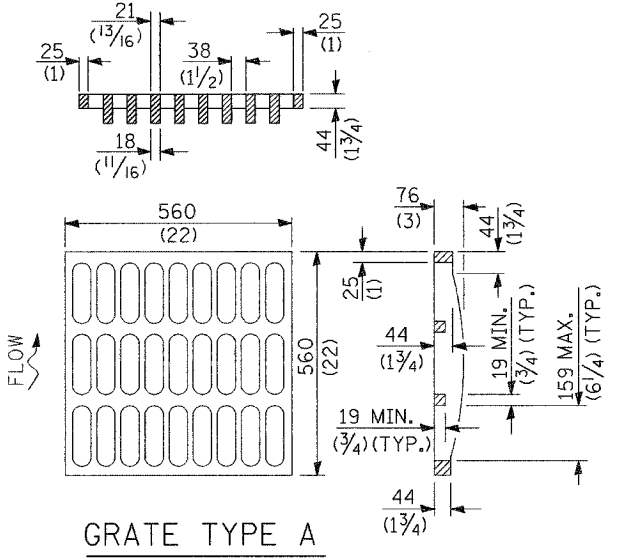
MATERIAL	SINGLE
CONCRETE - m ³ (cu.yd.)	3.933 (5.144)
CAST IRON GRATE - Ea. 57 kg (125 lbs.)	1
PIPE DRAIN - DIA. mm (in.)	375 (15)
PAY ITEMS	
GRATES, TYPE A	1 EACH
PIPE DRAINS 375 mm	2.1 M
CLASS SI CONCRETE (OUTLET)	2.677 M ³

GENERAL NOTES

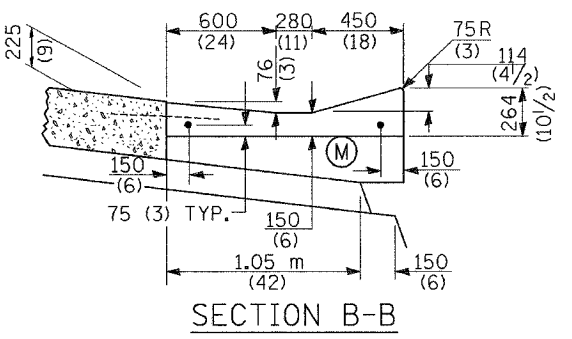
The gutter outlet shall be tied to the pavement in accordance with details for longitudinal construction joint shown on Standard 420001.

Tie bars shall be No. 20 (No. 6) at 600 mm (24") centers unless otherwise shown.

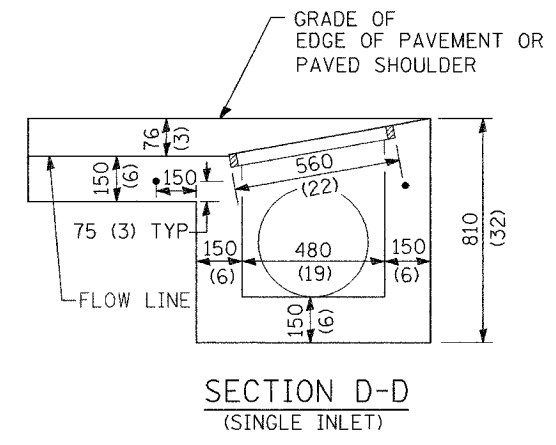
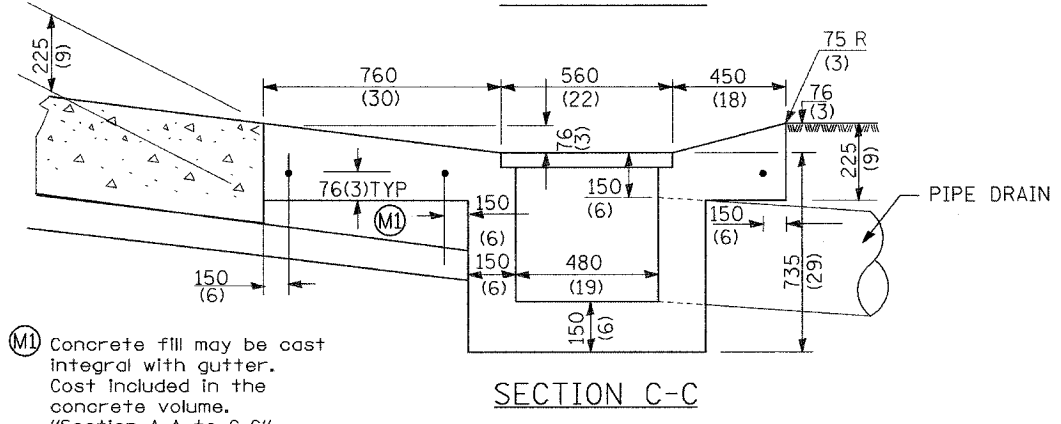
Detail as shown on District CADD Standard 606106-D4 except as shown herein.



(M) Concrete fill may be cast integral with gutter. Cost incidental in Type A Gutter (Modified)



(M1) Concrete fill may be cast integral with gutter. Cost included in the concrete volume. "Section A-A to C-C"



All dimensions are in millimeters (inches) unless otherwise noted.

D&A
DAILY & ASSOCIATES,
ENGINEERS, INC.
PEORIA, ILLINOIS

REVISIONS	
NAME	DATE

SHEET 7 OF 12

ALL STATIONS INDICATED ARE WESTBOUND STATIONING UNLESS OTHERWISE NOTED.

ILLINOIS DEPARTMENT OF TRANSPORTATION

**DRAINAGE DETAIL
OUTLET TYPE 1 (MODIFIED) FOR
TYPE A GUTTER (MODIFIED)**

DATE 01/07/2005

DRAWN BY _____
CHECKED BY _____

01/07/2005 01:21:11 PM
q:\data\5589-74\dwg\contract\ill\dl105-6g.dgn

CONTRACT 11: PLAN SET 2 OF 4 FINAL PLANS 01/05