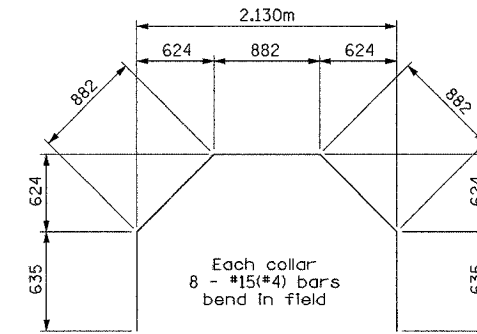
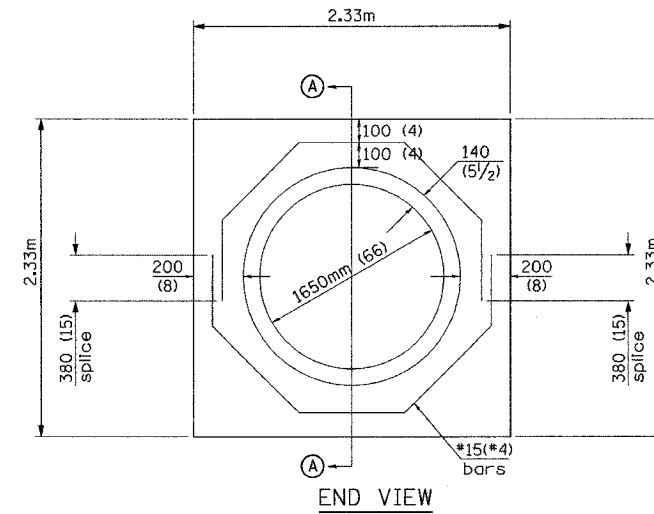
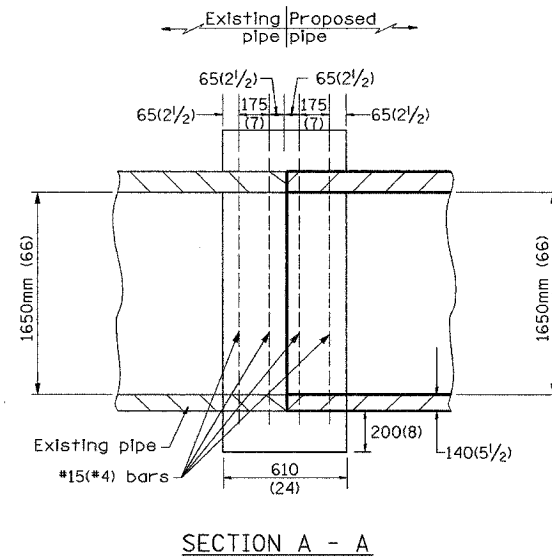


F.A.I. RTE.	SECTION	COUNTY	TOTAL SHEETS	SHEET NO.
74	*	TAZEWELL	1366	1059
STA.		TO STA.		
FED. ROAD DIST. NO. 4		ILLINOIS FED. AID PROJECT		

• (90-11)R-2:9013,14,14-1R-1



BILL OF MATERIAL

Bar	No.	Size	Length (m)	Shape
<i>s</i> ₁	8	#15	3.916	⤴
Concrete Collar		m ³	1.53	
Reinforcement Bars		kg	49	

GENERAL NOTES

1. THE COLLAR SHALL BE CONSTRUCTED ENTIRELY OF CLASS SI CONCRETE IN ACCORDANCE WITH THE APPLICABLE PORTIONS OF SECTION 503 OF THE STANDARD SPECIFICATIONS. REINFORCEMENT BARS SHALL CONFORM TO SECTION 508.

All dimensions are in millimeters (inches) unless otherwise noted.

SHEET 4 OF 7

<p>DAILY & ASSOCIATES, ENGINEERS, INC. PEORIA, ILLINOIS</p>	REVISIONS		ILLINOIS DEPARTMENT OF TRANSPORTATION MISCELLANEOUS DETAIL PIPE CULVERT (1650mm) EXTENSION COLLAR (WITHOUT END SECTION) DRAWN BY CHECKED BY
	NAME	DATE	
DATE 01/07/2005			

MODIFIED DISTRICT CADD STANDARD 542016-D4

01/07/2005 01:21:18 PM
 G:\data\5589-7A\dwg\contract\ind\05-50.dgn

CONTRACT 11: PLAN SET 2 OF 4 FINAL PLANS 01/05