

F.A. RTE.	SECTION	COUNTY	TOTAL SHEETS	SHEET NO.
			1366	1069
STA.		TO STA.		
FED. ROAD DIST. NO.	ILLINOIS	FED. AID PROJECT		

DESIGNER NOTES: 1. Use with District CADD standards: Slope Drains, Buried Pipe and/or Slope Drains - Exposed Pipe

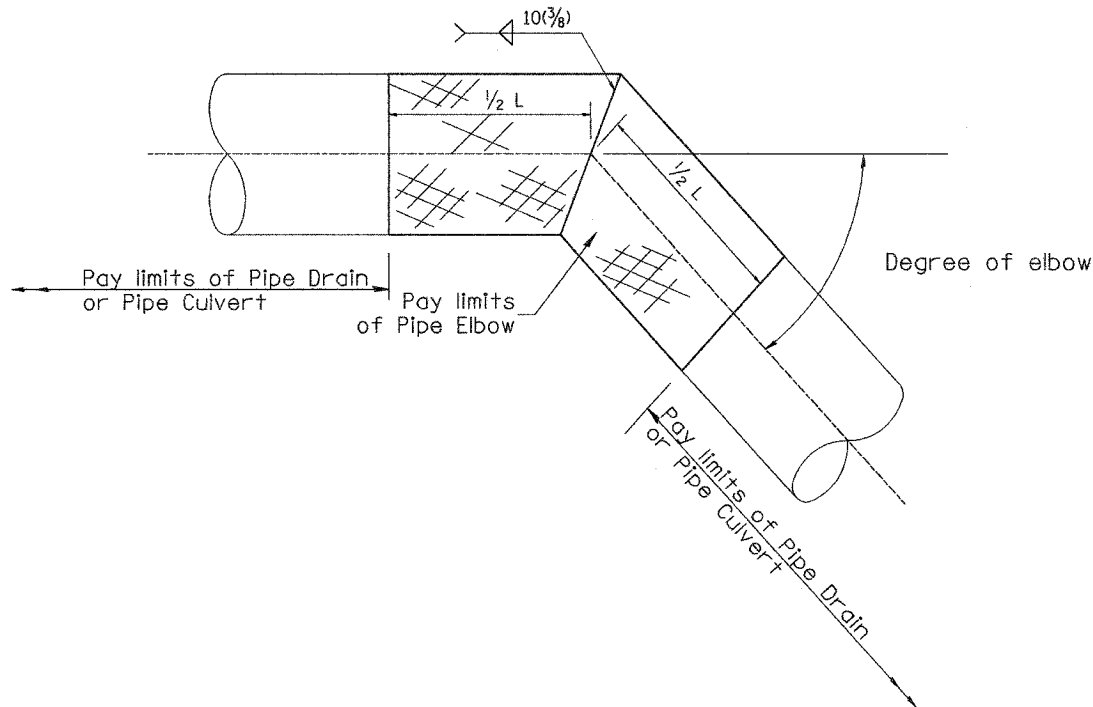
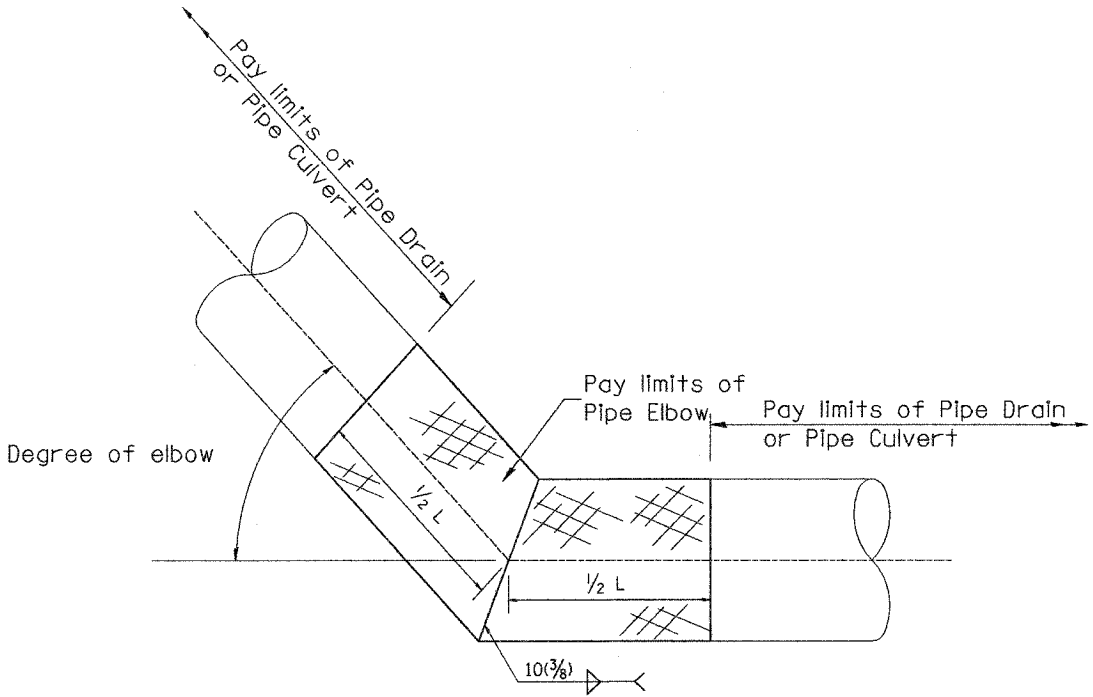


TABLE A		
ELBOW DESIGN CONTROLS		
PIPE DIAMETER	L = Pay limits of Pipe Elbow and minimum length of pipe required for fabrication	
	DEGREE OF ELBOW < 45°	DEGREE OF ELBOW > 46°
300(12)	600(24)	1.22M(4')
375(15)	600(24)	1.22M(4')
450(18)	600(24)	1.22M(4')
525(21)	600(24)	1.22M(4')
600(24)	1.22M(4')	1.22M(4')
750(30)	1.22M(4')	1.83M(6')
900(36)	1.22M(4')	1.83M(6')

TABLE B	
ELBOW DESIGN CONTROLS	
EARTH SLOPE (V:H)	DEGREE OF ELBOW *
1:6	9°
1:4	14°
1:3	18°
1:2	26°
1:1/2	33°

* Approximate - based upon 0.5% inlet and outlet flowlines.



SHEET 6 OF 17
All dimensions are in millimeters (Inches) unless otherwise noted.

ILLINOIS DEPARTMENT OF TRANSPORTATION
DISTRICT CADD STANDARD

DATE	REVISIONS	BY
1-1-97	RENUM. J-11.05, NEW REVISION BOX, REVISED TITLE BOX	T.P.

PIPE ELBOW
CADD STD. NO. 601301-D4
SCALE: NOT DRAWN TO SCALE DRAWN BY CADD
DATE **DATE** CHECKED BY

601301-D4

CONTRACT # PLAN SET 2 OF 4 FINAL PLANS 1/05