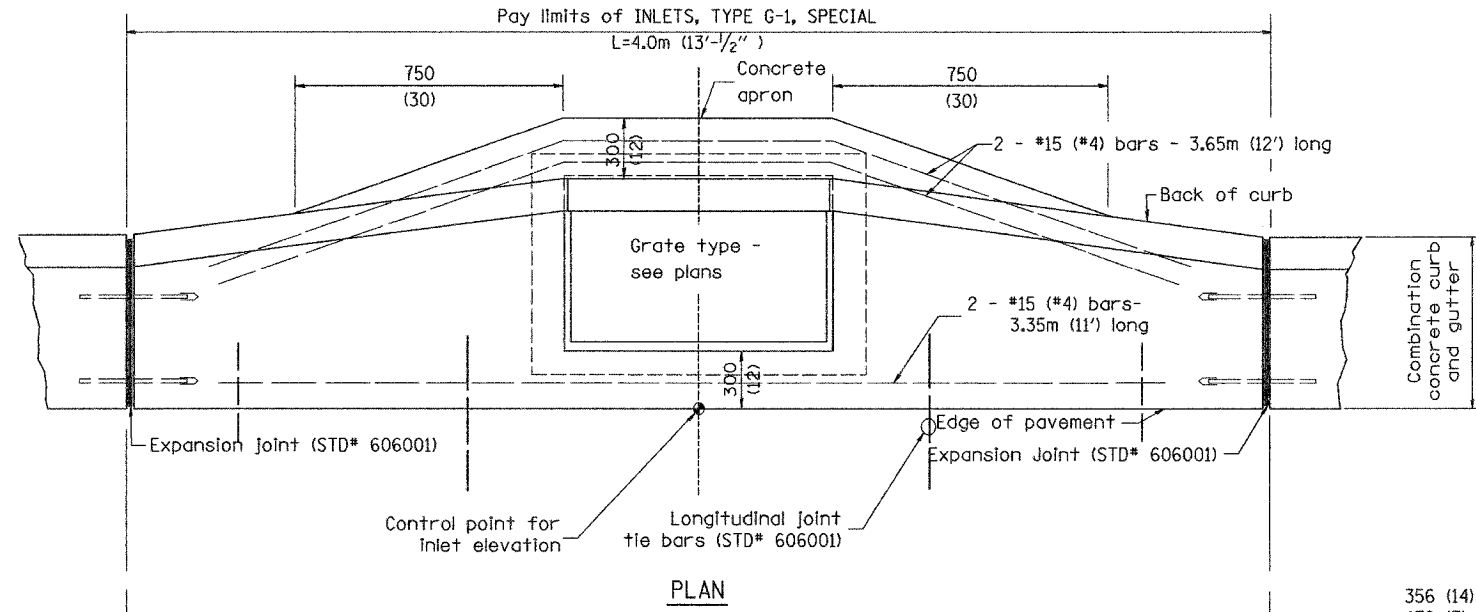
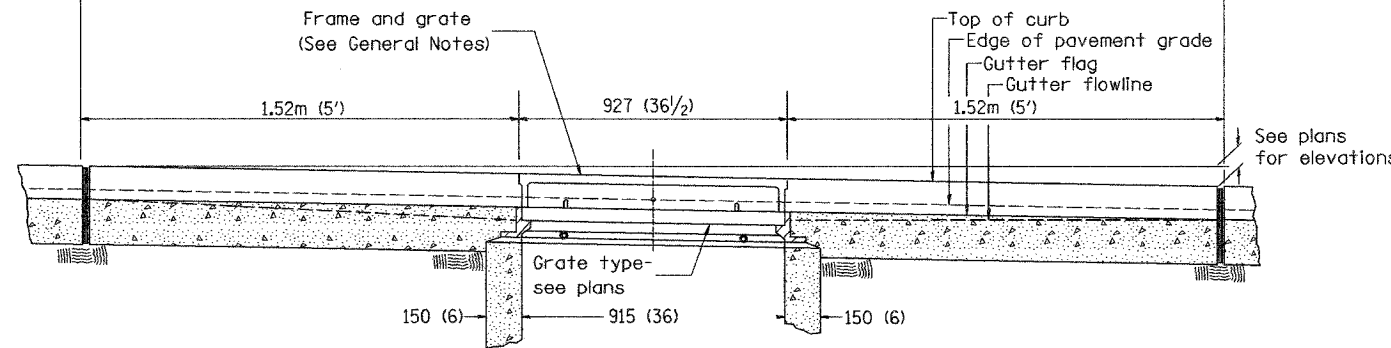


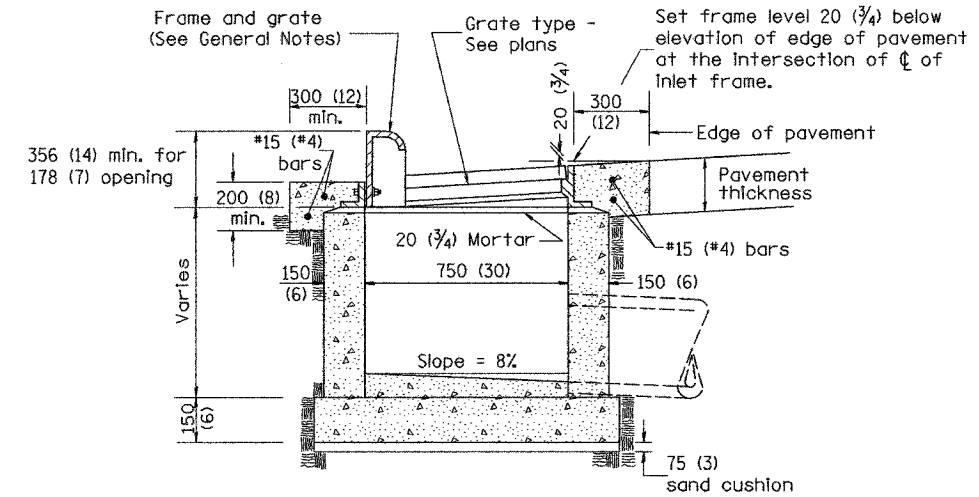
F.A. RTE.	SECTION	COUNTY	TOTAL SHEETS	SHEET NO.
			1266	1071
STA.		TO STA.		
FED. ROAD DIST. NO.	ILLINOIS	FED. AID PROJECT		



PLAN



ELEVATION (FRONT)



ELEVATION (SIDE)

GENERAL NOTES

1. Inlet construction shall be in accordance with Section 602 of the Standard Specifications.
2. Combination Concrete Curb and Gutter shall be constructed in accordance with Section 606 of the Standard Specifications.
3. See District CADD Standard 604001-D4 for frame and grates.

DESIGNER NOTES: 1. Include State Standard 606001 for combination concrete curb and gutter details.  
 2. Include State Standard 420001 for pavement joints.  
 3. Include District CADD Standard for frame and grates.  
 4. Include District Special Provision. Pay Item includes transitional c.c. & g., inlet and frame and grate. All work within pay limits.  
 5. Specify grate type in plans.

\$\$\$DATE\$\$\$

\*DGN-DNLY\*

SHEET 8 OF 17  
 All dimensions are in millimeters (Inches) unless otherwise noted.

ILLINOIS DEPARTMENT OF TRANSPORTATION  
 DISTRICT CADD STANDARD

INLETS, TYPE G-1,  
 SPECIAL

CADD STANDARD 602006-D4

SCALE NOT TO SCALE

DATE \$\$\$DATE\$\$\$

DRAWN BY CADD  
 CHECKED BY

DATE	REVISIONS	BY
1-1-97	RENUM. B-4.02, NEW REVISION BOX	
12-1-98	CORRECT E. O. P. NOTE	J.A.
10-99	REVISION TO GENERAL NOTES	J.A.

602006-D4

CONTRACT 11 PLAN SET 2 OF 4 FINAL PLANS 1/05