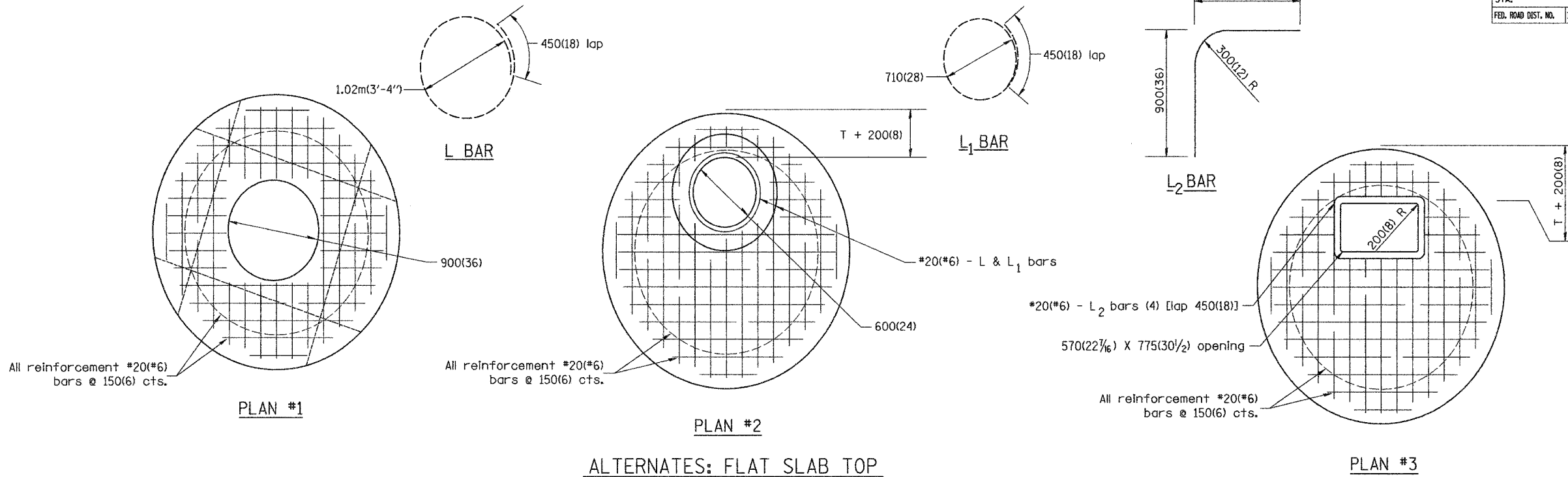
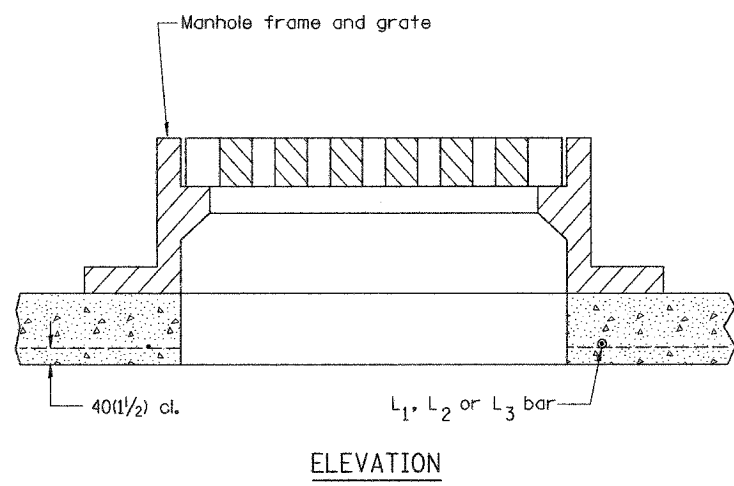
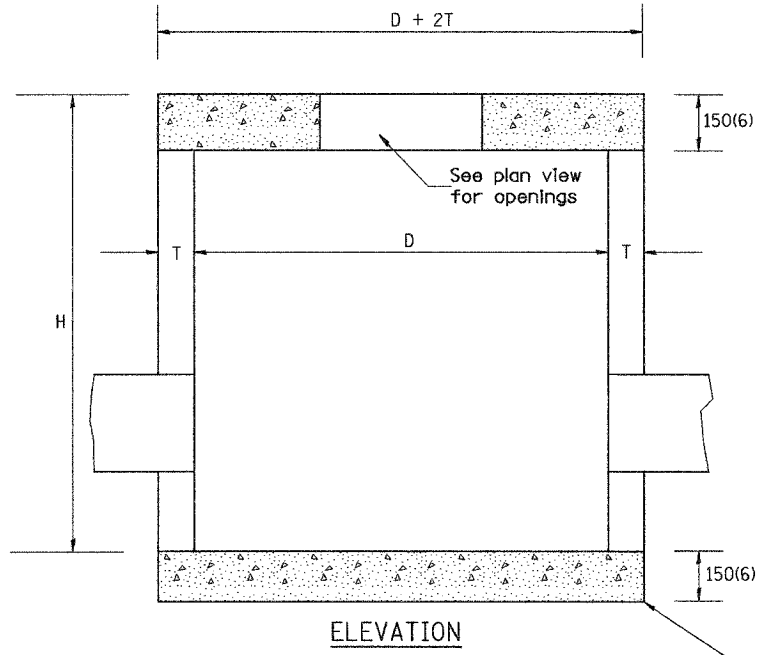


F.A. RTE.	SECTION	COUNTY	TOTAL SHEETS	SHEET NO.
			2366	1872
STA.		TO STA.		
FED. ROAD DIST. NO.	ILLINOIS	FED. AID PROJECT		



ALTERNATES: FLAT SLAB TOP

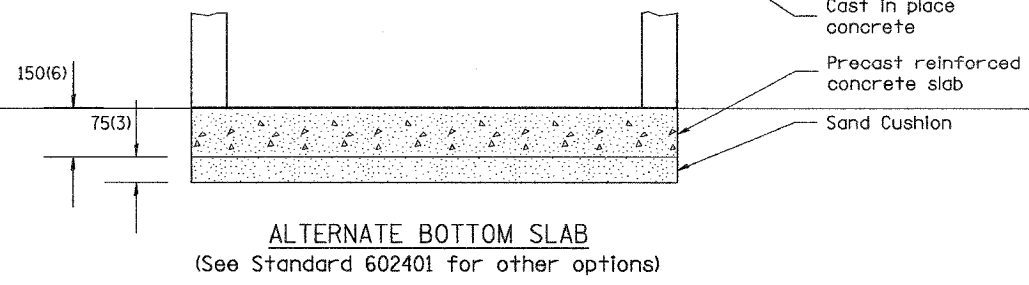


ALTERNATE MATERIALS FOR WALLS	D	T (min.)
CONCRETE MASONRY UNITS	1.2m (4')	125 (5)
	1.5m (5')	125 (5)
BRICK MASONRY	1.2m (4')	200 (8)
	1.5m (5')	200 (8)
PRECAST REINFORCED CONCRETE RISERS	1.2m (4')	100 (4)
	1.5m (5')	125 (5)
CAST-IN-PLACE CONCRETE	1.2m (4')	150 (6)
	1.5m (5')	150 (6)

NOTES

1. Manhole construction shall be in accordance with Section 602 of the Standard Specifications.
2. See Standards 602401 and 602406 for invert details and optional construction details.
3. See Standards 602701 for cast iron steps.

DESIGNER NOTE:
 1. INCLUDE STD* 602401 (MANHOLE, TYPE A), AND STANDARD 602406 (MANHOLE TYPE A 1800mm (72") DIAMETER).
 2. INCLUDE STANDARD 602701 (CAST IRON STEPS).
 3. INCLUDE DISTRICT SPECIAL PROVISION, PAY ITEM INCLUDES MANHOLE, FLAT SLAB TOP, AND FRAME, AND GRATE.
 4. SPECIFY FRAME AND GRATE AND INCLUDE STANDARD/S.



SHEET 9 OF 17

All dimensions are in millimeters (inches) unless otherwise noted.

ILLINOIS DEPARTMENT OF TRANSPORTATION
 DISTRICT CADD STANDARD

MANHOLE, SPECIAL

CADD STANDARD 602501-D4
 SCALE NOT TO SCALE
 DATE **DATE**

DRAWN BY CADD
 CHECKED BY

DATE	REVISIONS	BY
1-1-97	RENUM. B-6.03, NEW REVISION BOX	T.P.

602501-D4

DGN-ONLY

CONTRACT # PLAN SET 2 OF 4 FINAL PLANS 7/05