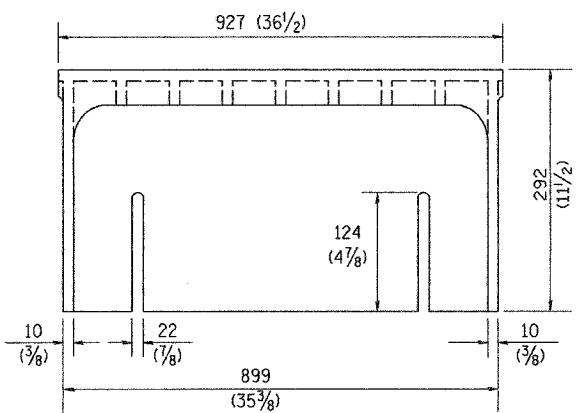
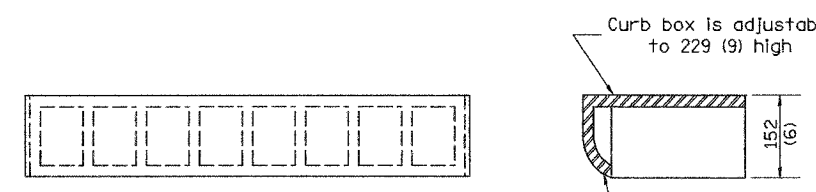
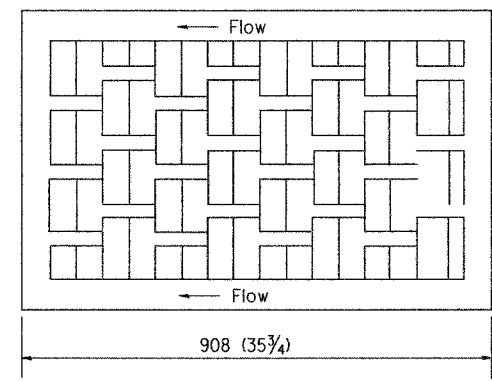


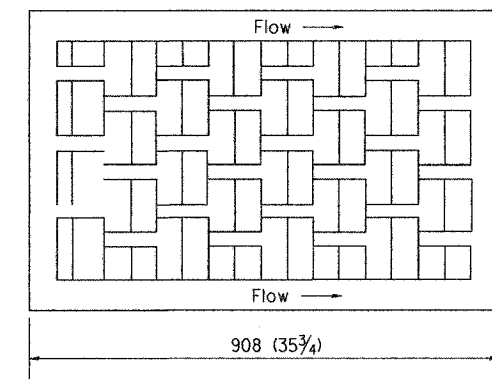
F.A. RTE.	SECTION	COUNTY	TOTAL SHEETS	SHEET NO.
			1366	1073
STA.		TO STA.		
FED. ROAD DIST. NO.	ILLINOIS	FED. AID PROJECT		



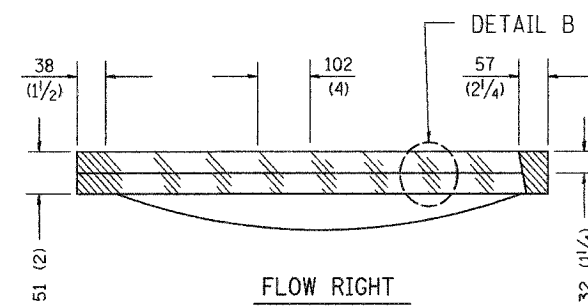
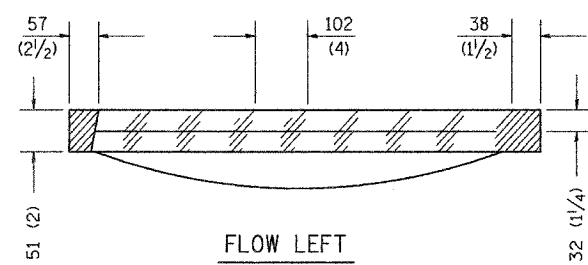
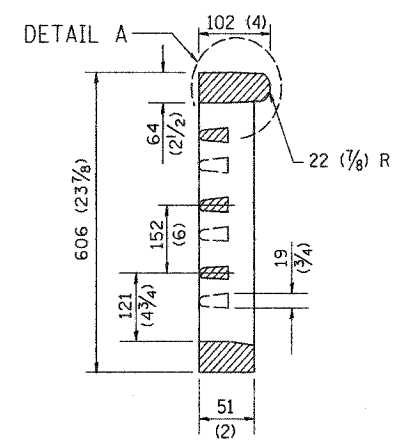
**CAST CURB BOX**  
50 kg (110 lbs.)



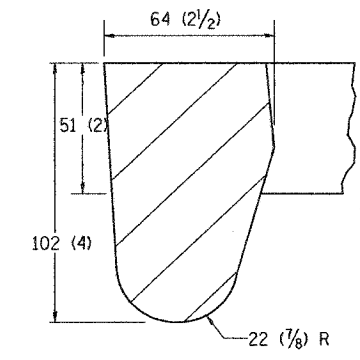
**FLOW LEFT**



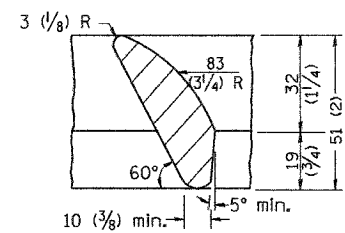
**FLOW RIGHT**



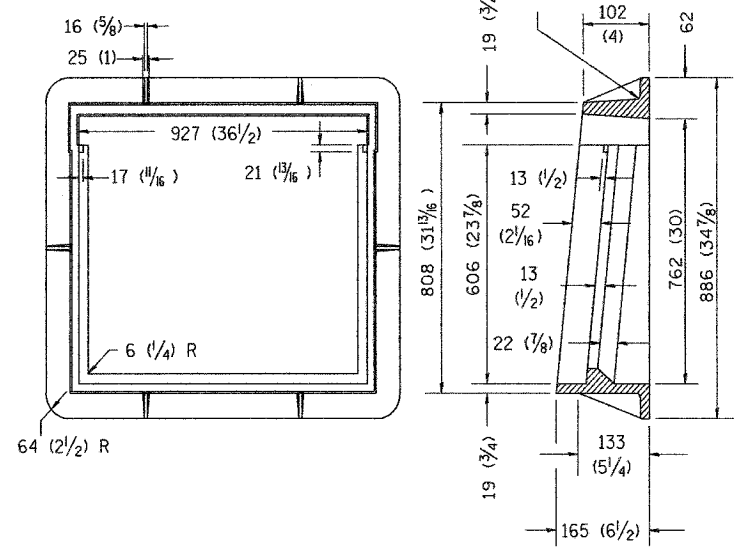
**CAST VANE GRATES**  
(SPECIFY LEFT OR RIGHT FLOW)  
104 KG (230 lbs.)



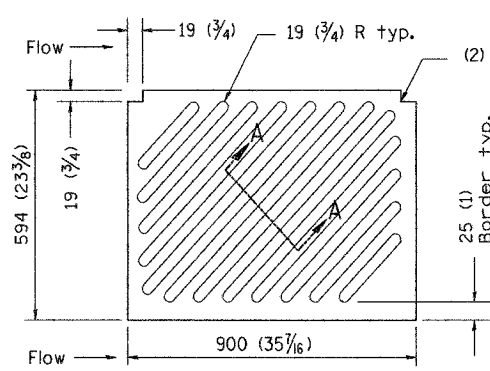
**DETAIL A**



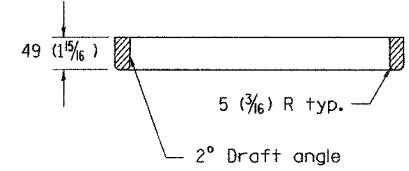
**DETAIL B**



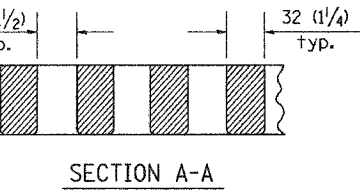
**CAST FRAME**  
123 kg (271 lbs.)



NOTE: Flow right shown



**CAST DIAGONAL GRATE**  
(Reversible for flow)  
98 kg (217 lbs.)



**SECTION A-A**

**GENERAL NOTES**

1. The frame and grate shown on this drawing are for use with all TYPE G-1 and TYPE G-1, SPECIAL DRAINAGE STRUCTURES. See plans for grate type and flow direction.
2. Flow direction: As viewed from street side.
3. Material: cast gray iron.

DATE	REVISIONS	BY
1-1-97	RENUM. B-10.01, NEW REVISION BOX	T.P.

All dimensions are in millimeters (inches) unless otherwise noted.

ILLINOIS DEPARTMENT OF TRANSPORTATION  
DISTRICT CADD STANDARD  
**FRAME AND GRATES FOR TYPE G-1 AND TYPE G-1, SPECIAL DRAINAGE STRUCTURES**  
CADD STANDARD 604001-D4  
SCALE NOT TO SCALE  
DATE \*\*DATE\*\*

DRAWN BY CADD  
CHECKED BY

DESIGNER NOTES:  
1. Include this standard with all Type G-1 and Type G-1, Special Drainage Structures.  
2. Specify grate types and flow directions in plans.  
3. These castings are included in the cost of the drainage structures as per District Special Provision.  
4. This drawing based upon "NEENAH" designs as follows:  
Inlet Frames: R-3246-A, Curb Box: R-3290  
Reversible Diagonal Grate: R-3246-A  
Vane Grates: R-3246-AL (flow left), R-3246-AL (flow right)

\*\*\*DATE\*\*

•DCN-ONL.Y•

CONTRACT IN PLAN SET 2 OF 4 FINAL PLANS 1/05