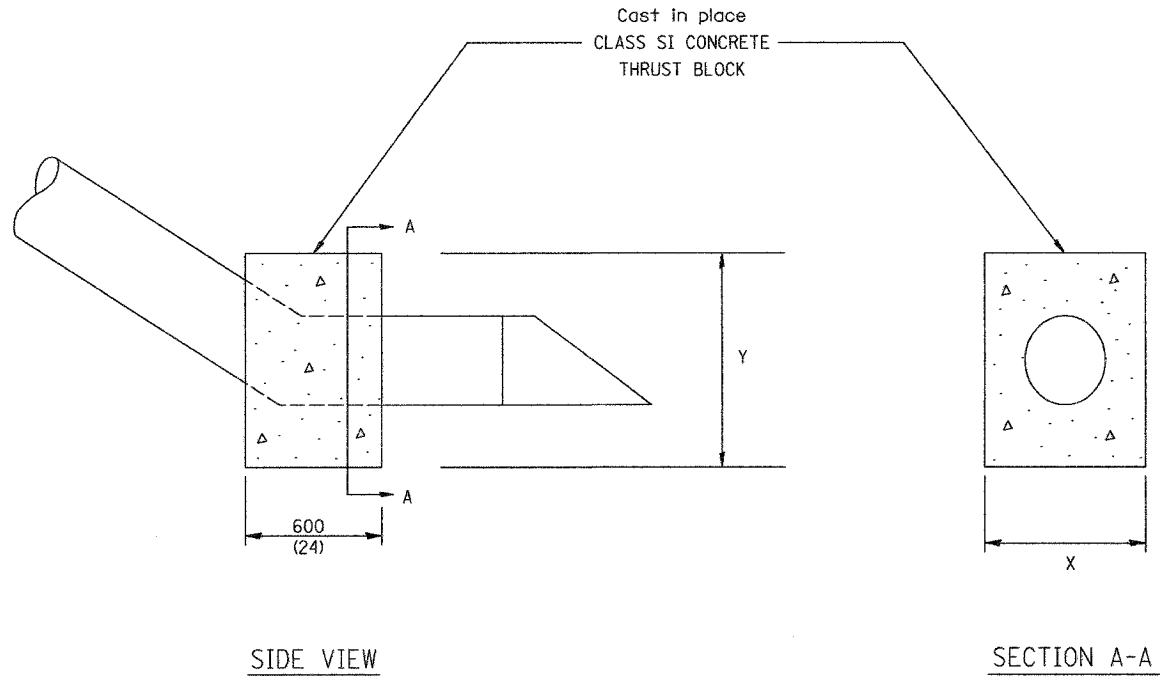


F.A. RTE.	SECTION	COUNTY	TOTAL SHEETS	SHEET NO.
			1366	1075
STA.		TO STA.		
FED. ROAD DIST. NO.	ILLINOIS	FED. AID PROJECT		

DESIGNER NOTES:
 1. A THRUST BLOCK SHALL BE INSTALLED WHEN THE DIFFERENCE BETWEEN THE UPSTREAM AND DOWNSTREAM INVERT ELEVATIONS EXCEEDS 900(36) AND GRADE EXCEEDS 10%.
 USE WITH DISTRICT CADD STANDARDS; "DITCH CHECK, IF NEEDED. DO NOT USE WITH DISTRICT CADD STANDARDS;
 2. "SLOPE DRAIN DETAILS FOR BURIED PIPE" "SLOPE DRAIN DETAILS FOR EXPOSED PIPE".

CONCRETE THRUST BLOCK
 BILL OF MATERIALS

PIPE SIZE	X	Y	CLASS SI CONCRETE m ³ (cu. yd.)
300(12)	600(24)	600(24)	0.2(0.2)
375(15)	675(27)	675(27)	0.2(0.3)
450(18)	750(30)	750(30)	0.2(0.3)
600(24)	900(36)	900(36)	0.3(0.4)
750(30)	1.07m (3'-6")	1.07m (3'-6")	0.6(0.8)



The contract unit price each for CONCRETE THRUST BLOCK shall include the cost of excavation, CLASS SI CONCRETE and compacted backfill.

QUANTITIES	
CALC. BY: _____	DATE: _____
CHECKED BY: _____	DATE: _____

QUANTITY CALCULATIONS ARE ON FILE AT THE DISTRICT 4 OFFICE; BUREAU OF PROJECT IMPLEMENTATION; DOCUMENTATION SECTION

***DATE**

DGN-ONLY

DATE	REVISIONS	BY
1-1-97	RENUM. J-10.04, NEW REVISION BOX, ADDED QUANTITY CALCULATION BOX.	T.P.

SHEET 12 OF 17
 All dimensions are in millimeters (Inches) unless otherwise noted.

ILLINOIS DEPARTMENT OF TRANSPORTATION
 DISTRICT CADD STANDARD

CONCRETE THRUST BLOCKS
 CADD STD. NO. 609001-04
 SCALE: NOT DRAWN TO SCALE
 DATE ***DATE**
 DRAWN BY: CADD
 CHECKED BY:

609001-D4

CONTRACT 11 PLAN SET 2 OF 4 FINAL PLANS 1/05