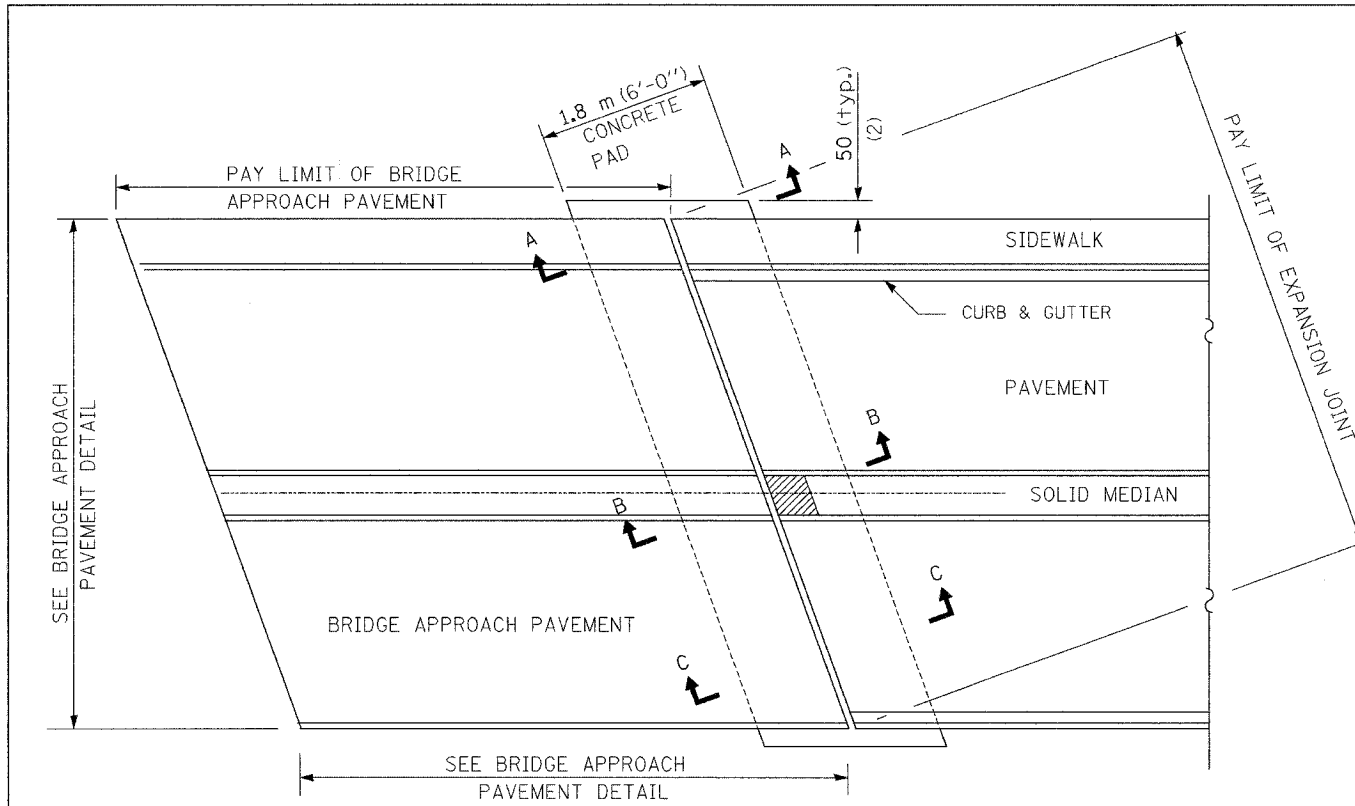
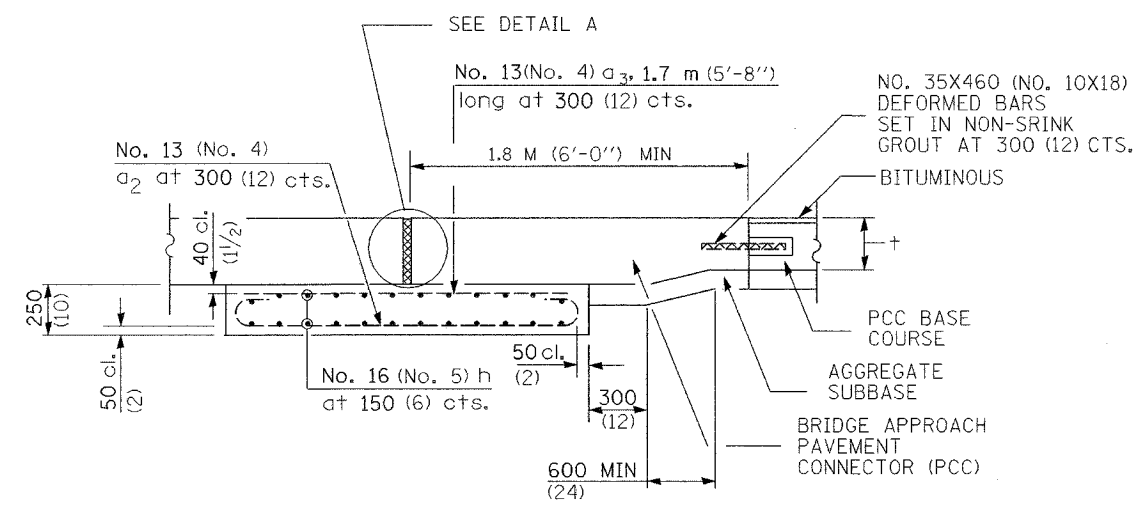


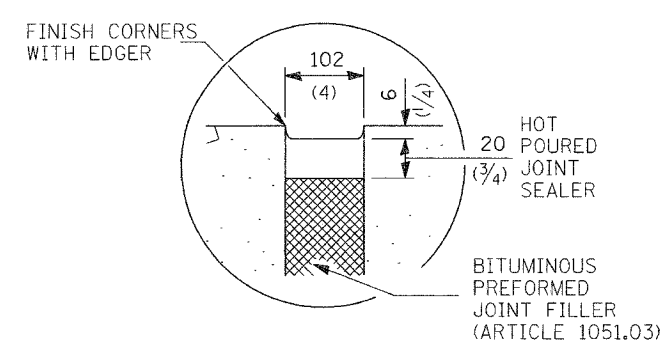
F.A. RTE.	SECTION	COUNTY	TOTAL SHEETS	SHEET NO.
			1366	1085
STA.	TO STA.			
FED. ROAD DIST. NO.	ILLINOIS FED. AID PROJECT			



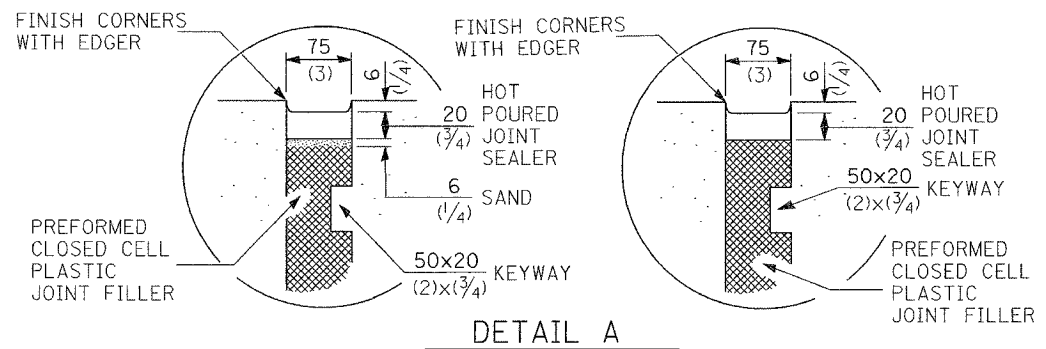
PLAN



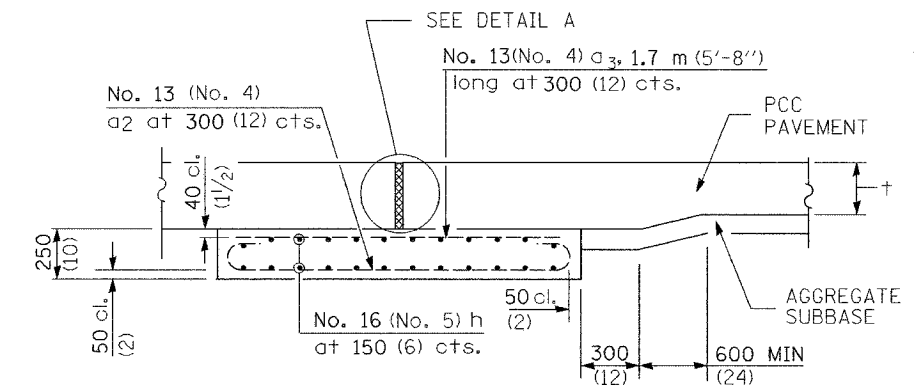
SECTION C-C WITH PCC BASE COURSE
(Showing reinforcement)



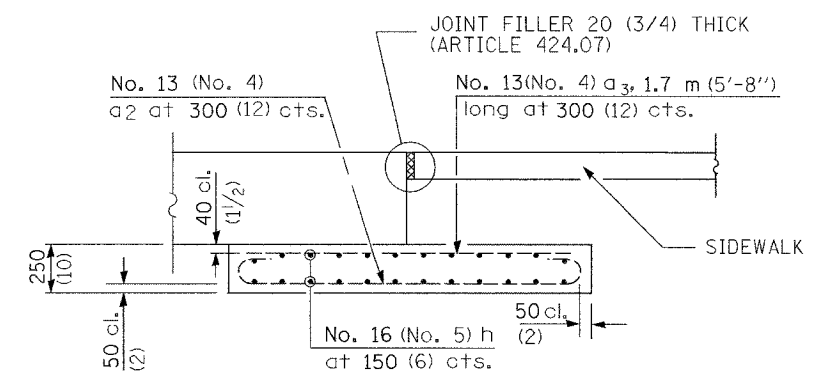
DETAIL A
SEALING DETAIL
(Route under city jurisdiction)



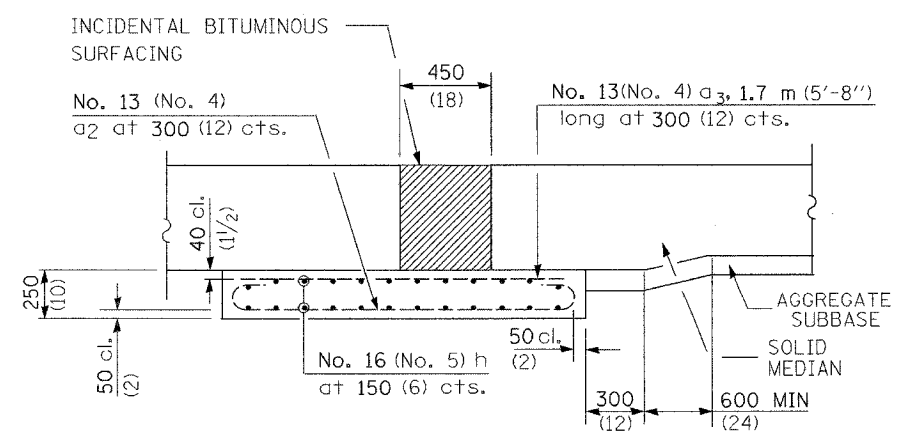
DETAIL A
SEALING DETAIL
(Route under state jurisdiction)



SECTION C-C WITH PCC PAVEMENT
(Showing reinforcement)



SECTION A-A
(Showing reinforcement)



SECTION B-B
(Showing reinforcement)

GENERAL NOTES

THICKNESS-""=THICKNESS OF PAVEMENT
All dimensions are in millimeters (inches) unless otherwise shown.

REVISIONS	
NAME	DATE
PRE	11/4/02
DETAIL A	12/31/02
H.S. 2004	9/26/03

SHEET 5 OF 14
ILLINOIS DEPARTMENT OF TRANSPORTATION
I74 PROJECT STANDARD 420401-I74
BRIDGE APPROACH PAVEMENT (SPECIAL) EXPANSION JOINT
DATE 10/18/02
DRAWN BY
CHECKED BY

CONTRACT I74 PLAN SET 3 OF 4 FINAL PLANS I/05