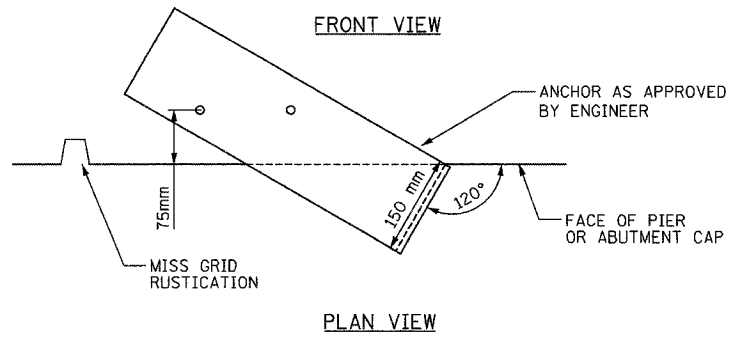
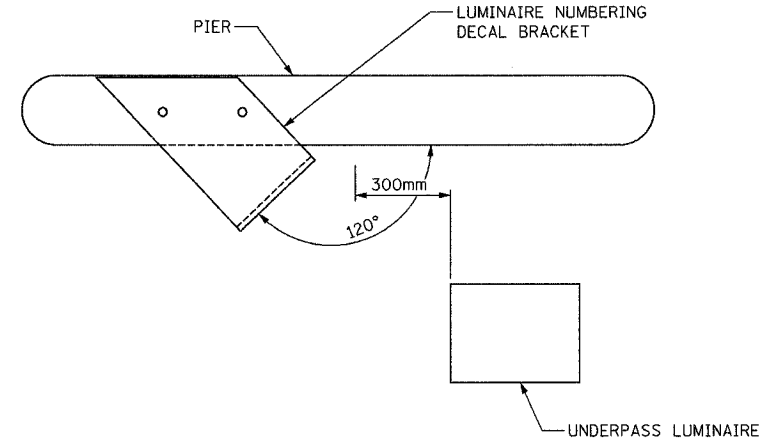
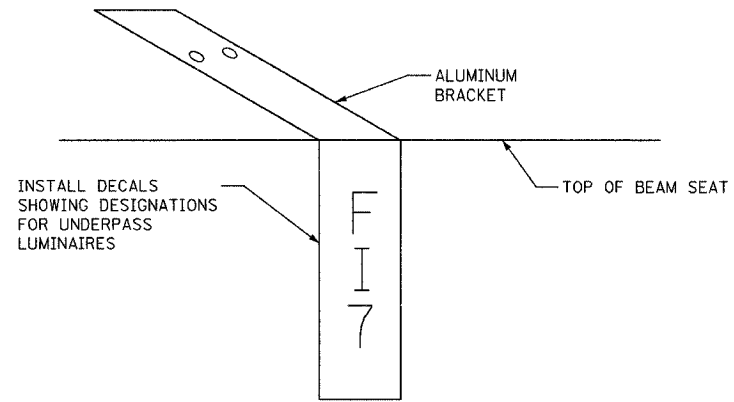
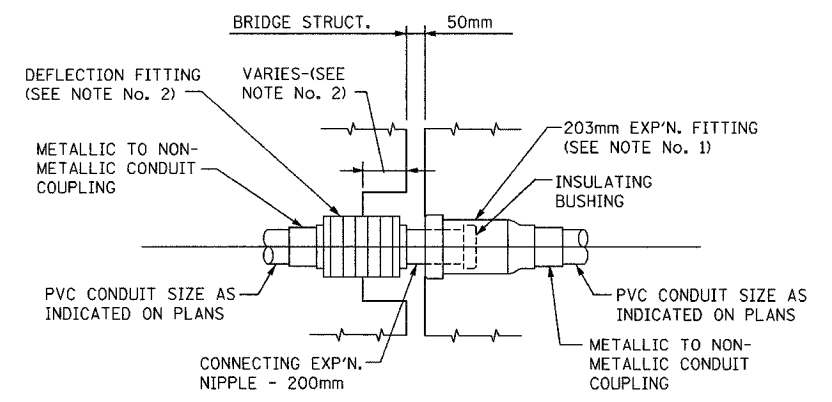


F.A.I. RTE.	SECTION	COUNTY	TOTAL SHEETS	SHEET NO.
74	•	TAZEWELL	1366	1242
STA.	TO STA.			
FED. ROAD DIST. NO.	ILLINOIS	FED. AID PROJECT		
• (90-11R-2)90(13, 14, 14-1R-1)				
CONTRACT NO. 68201				



UNDERPASS LUMINAIRE NUMBERING BRACKET DETAIL

UNDERPASS LUMINAIRE NUMBERING BRACKET INSTALLATION DETAIL



NOTES:

1. THE BARREL OF THE FITTING SHALL BE FULLY EMBEDDED IN THE CONCRETE OF ONE SIDE OF THE EXPANSION JOINT.
2. A CAVITY OPENING, IF REQUIRED, SHALL BE A 75mm LARGER DIAMETER THAN THE DEFLECTION SLEEVE DIAMETER AND A MAXIMUM DEPTH OF HALF OF THE DEFLECTION SLEEVE LENGTH. THE DEFLECTION FITTING SHALL BE CENTERED IN THE OPENING AND EMBEDDED IN THE CONCRETE ONLY UP TO THE DEFLECTION FITTING CENTER.

CONDUIT EXPANSION / DEFLECTION COUPLING DETAIL

NOTE - COST OF CONDUIT EXPANSION/DEFLECTION COUPLING IS INCLUDED IN THE PAY ITEM FOR CONDUIT.

REVISIONS		ILLINOIS DEPARTMENT OF TRANSPORTATION
NAME	DATE	
		MISCELLANEOUS LIGHTING DETAILS
DATE: 12/20/04		DRAWN BY JWW CHECKED BY MKR

ab alfred benesch & company
CONSULTING ENGINEERS
205 NORTH MICHIGAN AVENUE, CHICAGO, ILLINOIS 60601

12/20/2004 12:44:36 PM m:\pco\13573\lath\lath\contract\111100-7a_misc_det.dgn