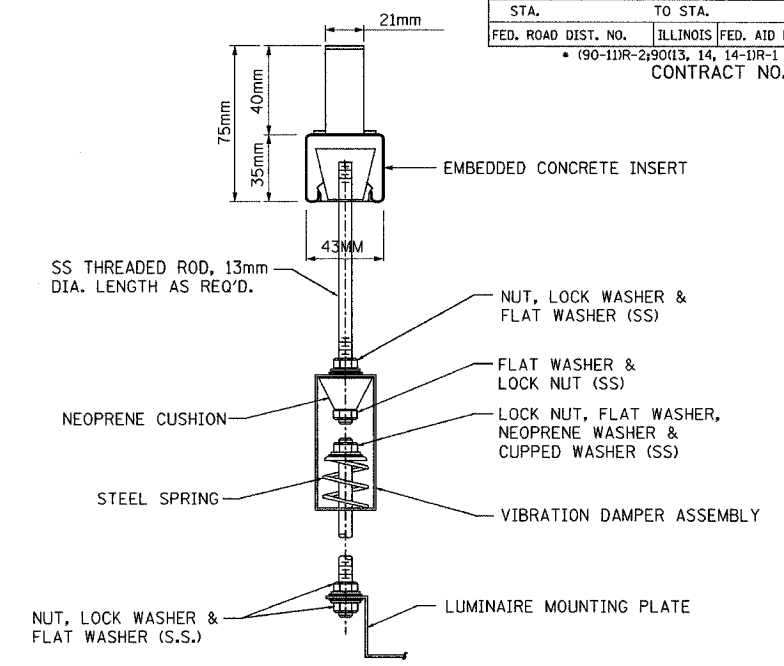
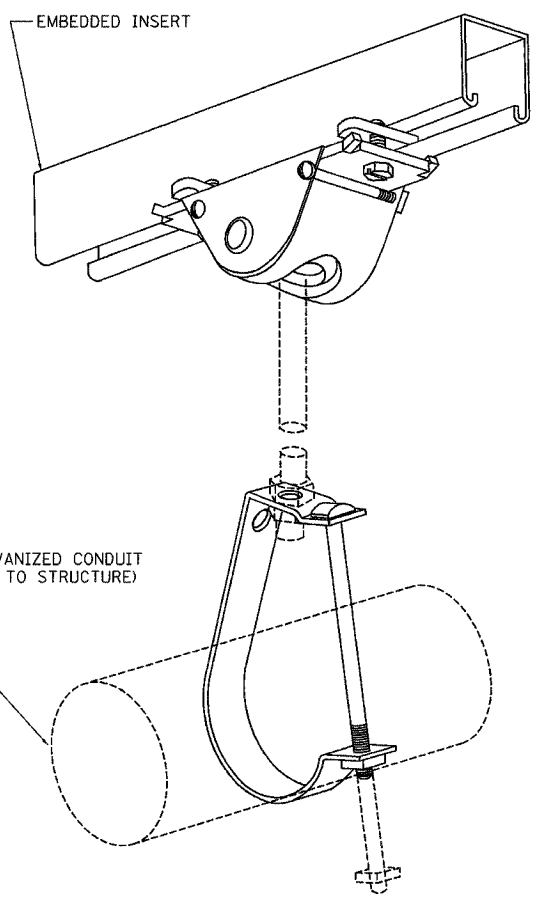
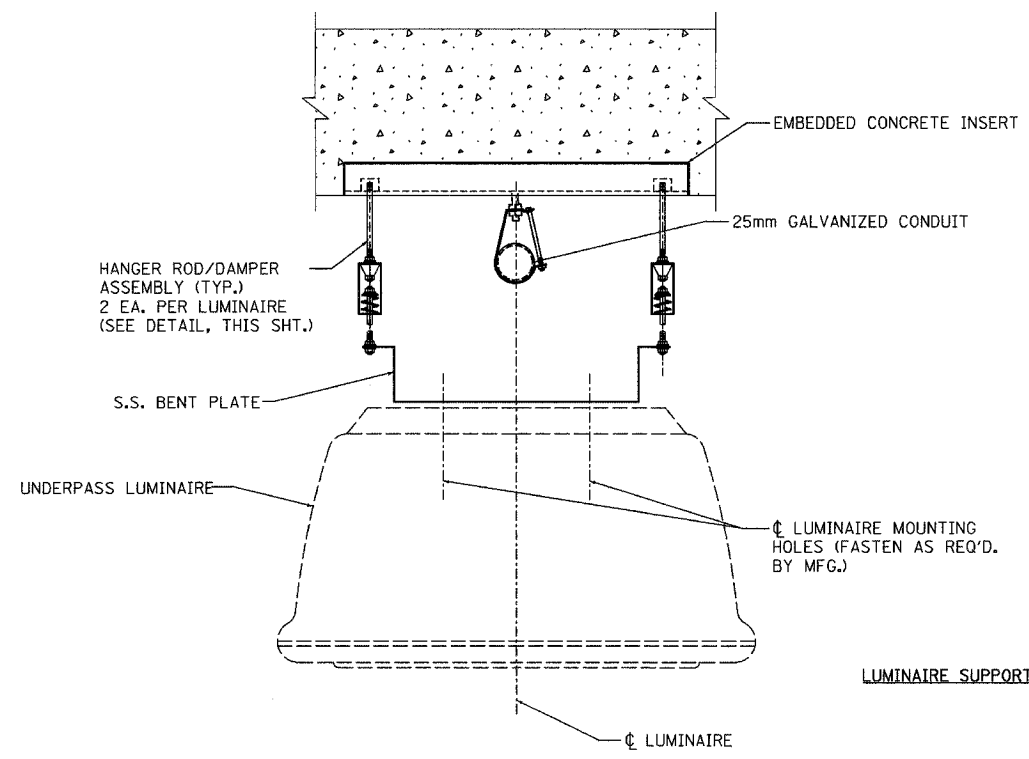
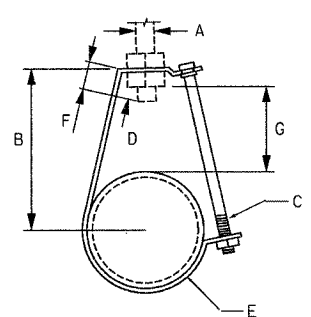
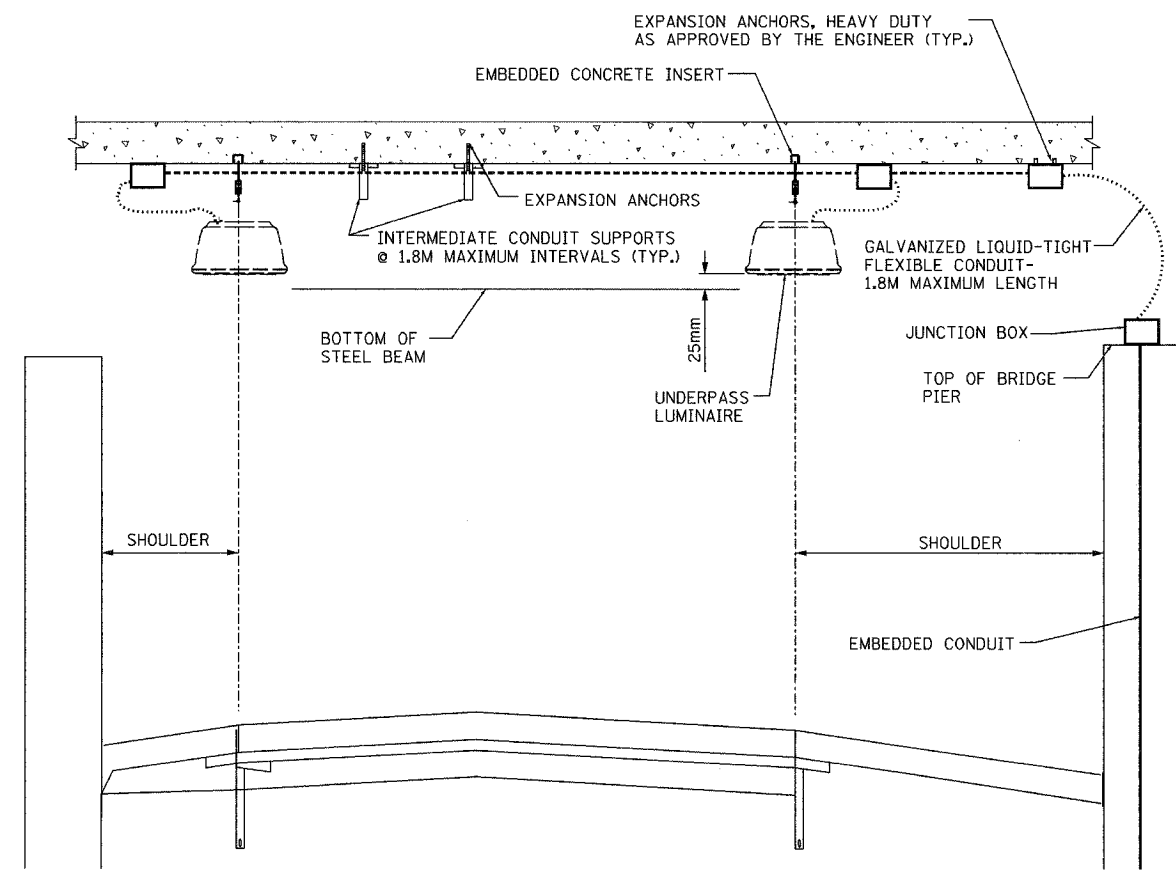


F.A.I. RTE.	SECTION	COUNTY	TOTAL SHEETS	SHEET NO.
74	*	TAZEWELL	1366	1243
STA.	TO STA.		ILLINOIS FED. AID PROJECT	
FED. ROAD DIST. NO.		* (90-11)R-2,90(13, 14, 14-1R-1)		
CONTRACT NO. 68201				



LUMINAIRE HANGER ASSEMBLY
N.T.S.

* THE COST OF THE LUMINAIRE HANGER ASSEMBLY SHALL BE INCLUDED IN THE PAY ITEM FOR UNDERPASS LUMINAIRE, (INSTALL ONLY).
OTHER VIBRATION DAMPER ASSEMBLIES MAY BE USED IF APPROVED BY THE ENGINEER.

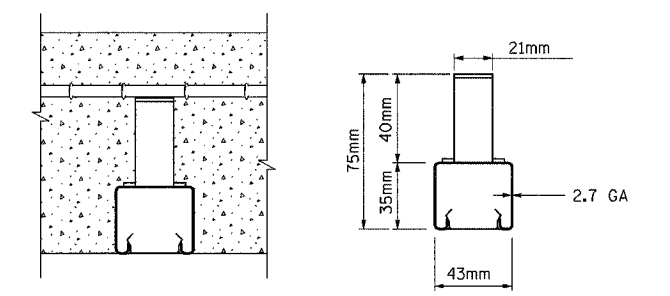
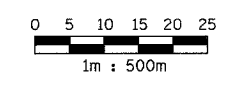


CONDUIT SUPPORT
N.T.S.

MEASUREMENTS (mm)

A	B	C	D	E	F	G
9.5	57.2	6.4x 69.9	10.3	3.2x 19.1	14.3	25.4

* THE COST OF THE CONDUIT SUPPORT SHALL BE INCLUDED IN THE PAY ITEM FOR THE CONDUIT ATTACHED TO STRUCTURE.



DETAIL 1 - 200mm CONCRETE INSERT
N.T.S.

* THE CONCRETE INSERT SHALL BE ORIENTED WITH THE LONG DIMENSION PARALLEL TO TRAFFIC FLOW.
THE COST OF CONCRETE INSERT SHALL BE INCLUDED IN THE PAY ITEM FOR THE EMBEDDED CONDUIT.

UNDERPASS LIGHTING DETAIL - SECTION VIEW (TYP.)

LIGHTING SHEET 33 OF 41

REVISIONS	
NAME	DATE

ILLINOIS DEPARTMENT OF TRANSPORTATION

MISCELLANEOUS UNDERPASS LIGHTING DETAILS

DATE: 12/20/04
DRAWN BY: DJK
CHECKED BY: MKR

ab alfred benesch & company
CONSULTING ENGINEERS
205 NORTH MICHIGAN AVENUE, CHICAGO, ILLINOIS 60601

12/20/2004 12:44:37 PM m:\proj\13573\lighting\contract\111100-7a_misc_underpass_detail.dwg