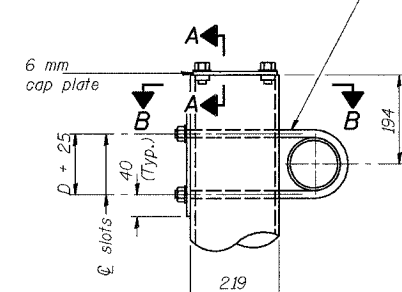


STATE OF ILLINOIS
DEPARTMENT OF TRANSPORTATION

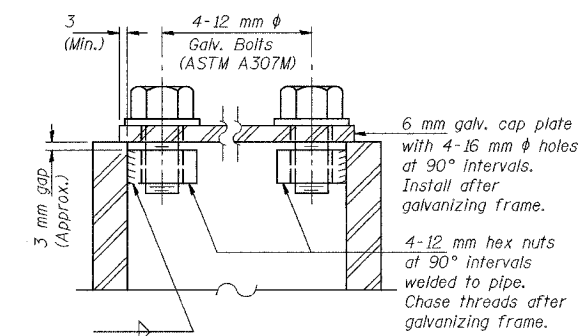
ROUTE NO.	SECTION	COUNTY	TOTAL SHEETS	SHEET NO.
FAI 74	*	TAZEWELL	1366	1307
STA.		TO STA.		
F.H.W.A. REGION		ILLINOIS PROJECT		

* (90-11R-2;90(13, 14, 14-11R-1)
CONTRACT NO. 68201

19 mm ϕ U-bolt Provide two washers and two hexagon locknuts. (4)
21 mm x 51 mm slots on ϕ DN 200 pipe. (4 slots required per pipe)

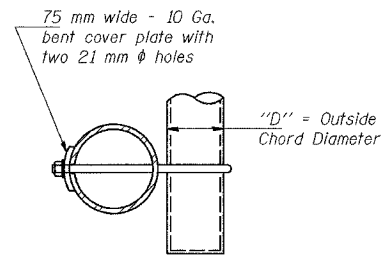


DETAIL A

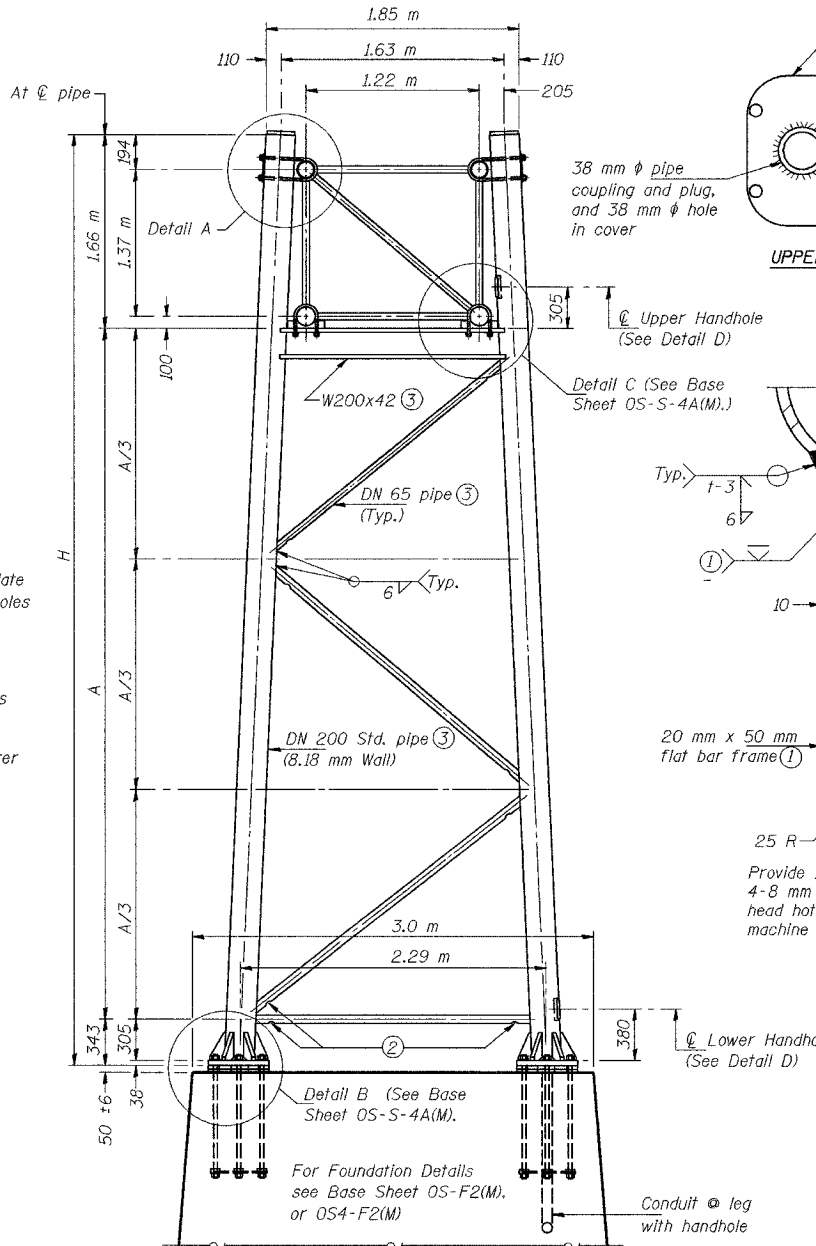


SECTION A-A

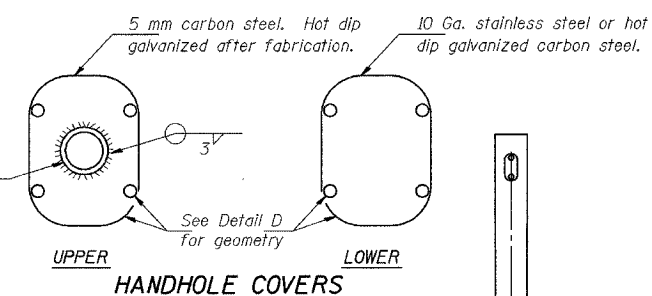
As an alternate to bolts, may use galvanized drive-fit caps installed after galvanizing frame.



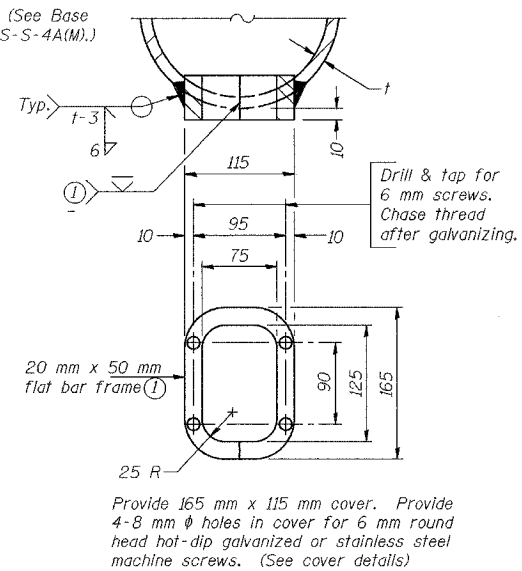
SECTION B-B



SIDE ELEVATION

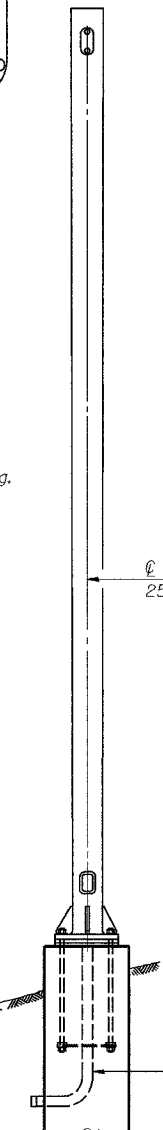


UPPER and LOWER HANDHOLE COVERS



DETAIL D

Backfill shall be placed prior to erection of support frame



END ELEVATION

Support Design Loads: See Base Sheet OS-S-1(M) for design and loading criteria.
Load combinations checked include deadload plus:
a) 100% wind normal to sign, 20% parallel to sign
b) 60% wind normal to sign, 30% parallel to sign

- In lieu of fabricated handhole frame as shown, may cut from 50 mm plate (rolling direction vertical). All cut faces to be ground to ANSI Roughness of 12.7 μ m or less.
- Galvanizing vent holes of adequate size shall be provided on underside at each end of bracing pipes. Alternately, holes may be provided in wall of pipe column. All vent holes shall be drilled and de-burred. (Typ.)
- Steel pipe, plate, carbon steel handhole covers and rolled sections shall be hot dip galvanized after fabrication. Painting is not permitted. See Base Sheet OS-S-1(M).
- See General Notes for fasteners.
- Dimensions shown are based on selection criteria in the Sign Structures Manual. Nonstandard applications must have dimensions verified or amended as appropriate.

Structure Number	Station	Support		H (m)	A (m)
		Left	Right		
450901074L095.3	153+410	✓		7.101	5.098
450901074L095.3	153+410		✓	6.965	4.962

NUMBER	REVISION	DATE

SIGNING SHEET 56 OF 74

OVERHEAD SIGN STRUCTURES
SUPPORT FRAME for TYPE I-S STEEL TRUSS

ILLINOIS DEPARTMENT OF TRANSPORTATION

SIGNING PLAN
W.B. I-74 STA. 153+410, S.N. 450901074L095.3

TAZEWELL CO., IL. DATE: 12-20-04

DESIGNED	RJW	2884
CHECKED	KJN	EXAMINED
DRAWN	RJW	ENGINEER OF STRUCTURAL SERVICES
CHECKED	KJN	PASSED
		ENGINEER OF BRIDGES AND STRUCTURES

OS-S-4(M) 10/1/2001

Mr./Proj/3573/Sign Structures/Contract II/sp101-7Aoh-sti.dgn