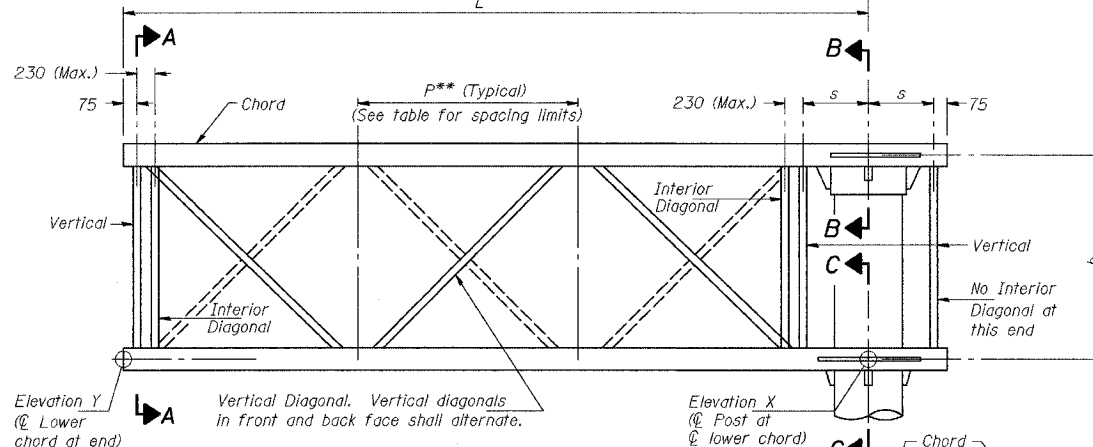
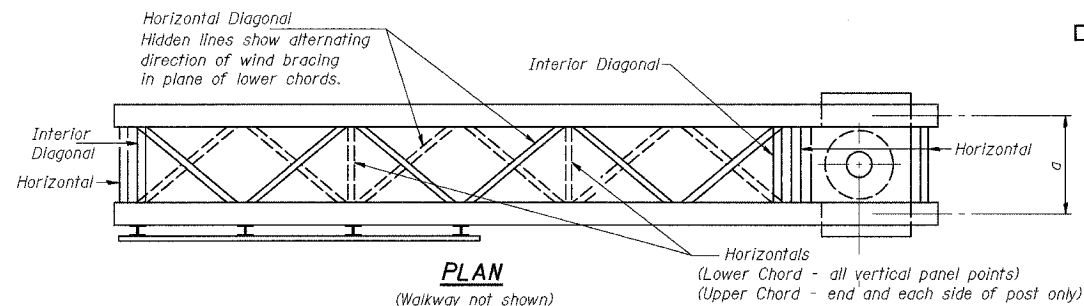


STATE OF ILLINOIS
DEPARTMENT OF TRANSPORTATION

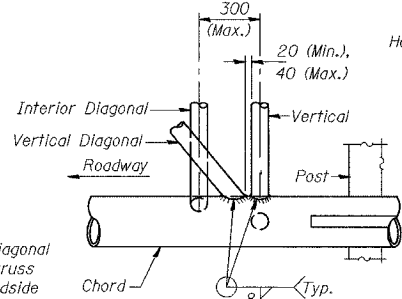
ROUTE No.	SECTION	COUNTY	TOTAL SHEETS	SHEET NO.
FAI 74	*	TAZEWELL	1366	1315
STA.		TO STA.		
F.H.W.A. REGION		ILLINOIS	PROJECT	

CONTRACT NO. 68201



TYPICAL TRUSS UNIT
For Section B-B and Section C-C, see Base Sheet OSC-S-3(M).

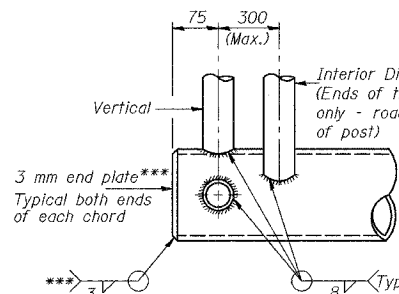
Note: There are twice as many horizontal diagonals as there are vertical diagonals.



POST END JOINT DETAIL

SHOP CAMBER TABLE

Unit Length (L)	Shop Camber at End
4.6	63
4.9-5.2	70
5.5-6.1	75
6.4-6.7	82
7.0-7.6	89
7.9-8.2	75
8.5-9.1	82
9.5-9.8	89
10.1-10.7	95
10.8-11.5	127
11.6-12.2	140

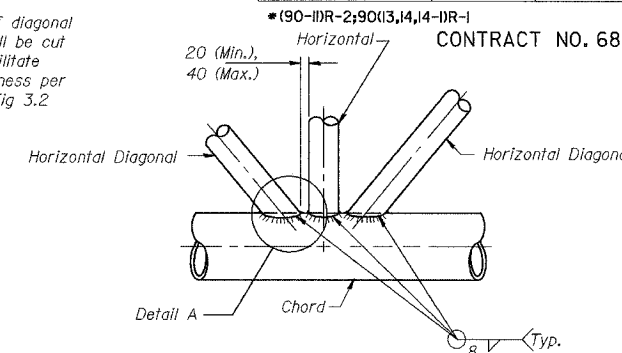
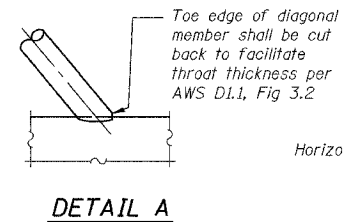
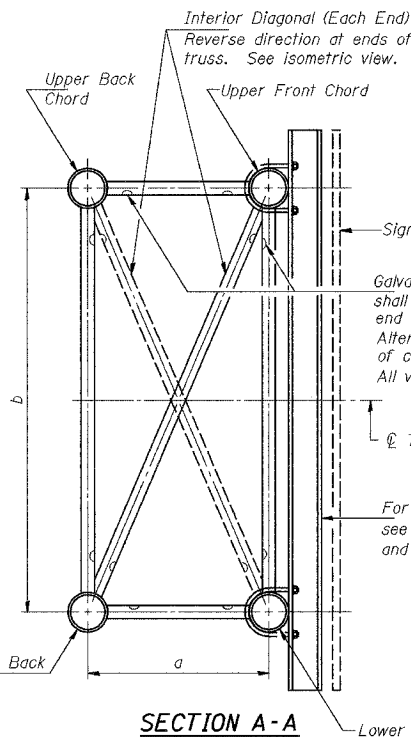


CANTILEVER END JOINT DETAIL

***Contractor must use standard aluminum drive-fit cap to close ends after galvanizing. Drive-fit caps shall have 13 φ drain holes at low edge.

DESIGNED	RJW	2004
CHECKED	KJN	EXAMINED
DRAWN	RJW	PASSED
CHECKED	KJN	ENGINEER OF BRIDGES AND STRUCTURES

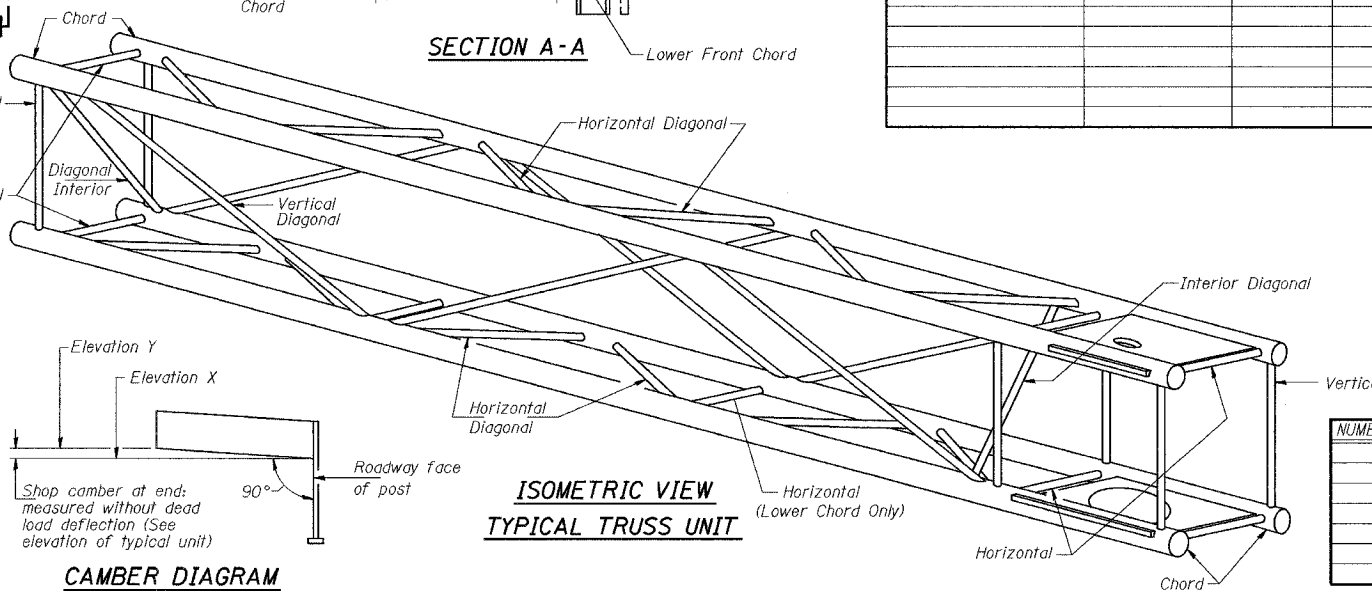
OSC-S-2(M) 10/1/2001



TRUSS INTERIOR JOINT DETAILS

All diagonals shall be detailed for minimum offset from the panel point based on the following: Offset shall be such as to provide a 20 mm minimum to 40 mm maximum clearance between any diagonal and any horizontal or vertical member, and to provide clearance for U-bolt connections of signs or walkway brackets.

Structure Number	Station	Truss Type	Design Length (L) (m)	Number of Panels Per Unit	Panel Length (P)** (m)
4C0901074L095.6	153+772	II-C-S	9.025	7	1.202



CAMBER DIAGRAM
(For Fabrication Only)

TRUSS UNIT TABLE

Truss Type	Dimension "a"	Dimension "b" (m)	Dimension "s"	Limits for Panel Spacing (P)** (m)	Up. & Low. Chord		Verticals; Horizontal; and Interior Diagonals	
					Nom. pipe size	Wall	Nom. pipe size	Wall
I-C-S	610	1.37	405	0.915 Min. to 1.22 Max.	127	6.5	51	3.9
II-C-S	915	1.68	535	1.07 Min. to 1.37 Max.	152	7.1	64	5.2
III-C-S (10.7 Max.)	915	2.13	535	1.22 Min. to 1.68 Max.	152	8.7	64	5.2
III-C-S (>10.7 to 12.2)	915	2.13	535	1.22 Min. to 1.68 Max.	203	8.2	75	5.5

**P = $\frac{L-s-75}{\# \text{ Panels}}$

NUMBER	REVISION	DATE

SIGNING SHEET 64 OF 74

**CANTILEVER SIGN STRUCTURES
TRUSS DETAILS
STEEL TRUSS & STEEL POST**

ILLINOIS DEPARTMENT OF TRANSPORTATION

SIGNING PLAN
W.B. I-74 STA. 153+772, S.N. 4C0901074L095.6

TAZEWELL CO., IL.

DATE: 12-20-04

M:\Proj\3573\Sign Structures\Contract 11\sp102-7Acen-sfl.dgn