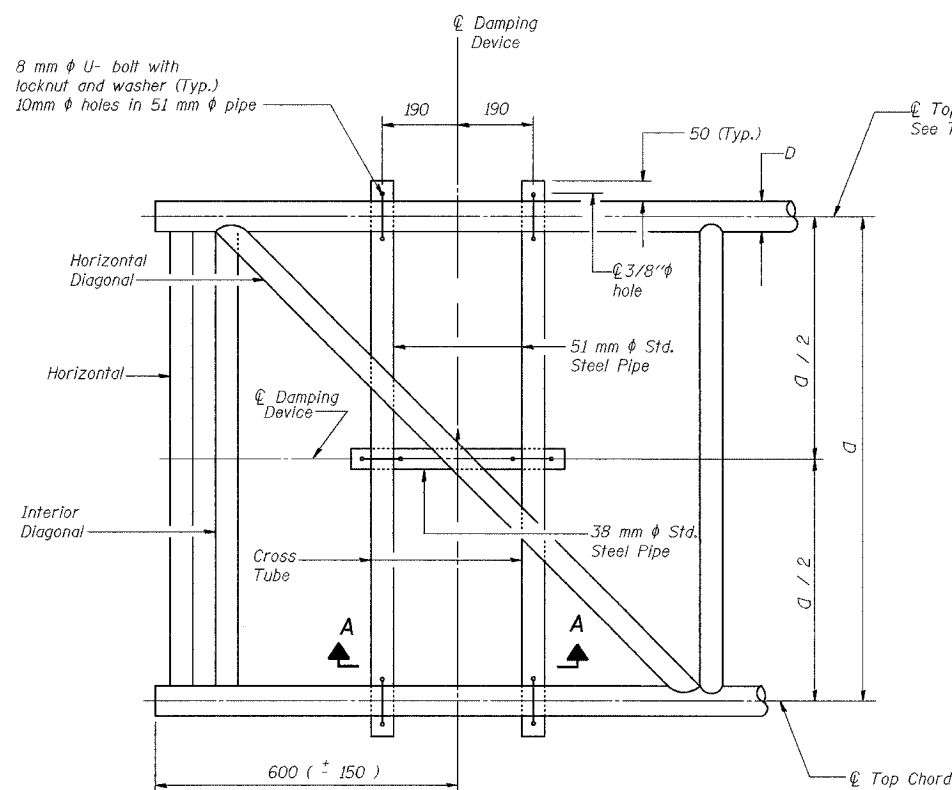


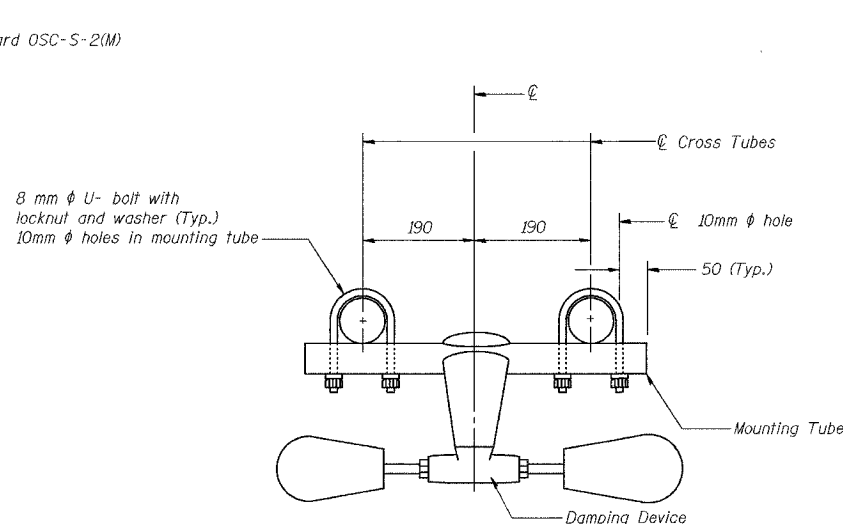
STATE OF ILLINOIS  
DEPARTMENT OF TRANSPORTATION

ROUTE No.	SECTION	COUNTY	TOTAL SHEETS	SHEET NO.
FAI 74	*	TAZEWELL	1366	1316
STA.		TO STA.		
F.H.W.A. REGION		ILLINOIS	PROJECT	

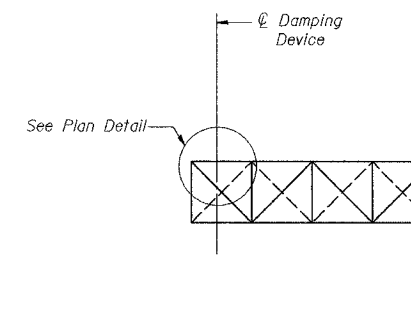
\* (90-11R-2;90(13,14,14)-1R-1  
CONTRACT NO. 68201



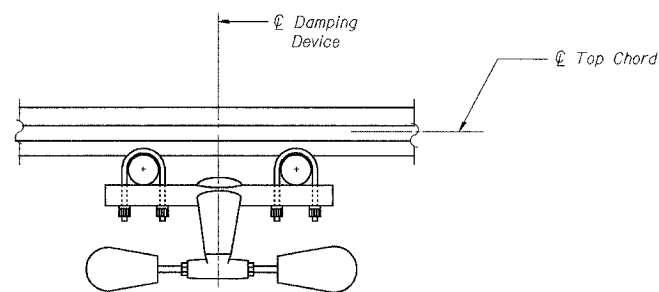
**PLAN DETAIL**



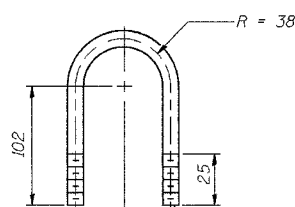
**TRUSS DAMPING  
DEVICE CONNECTION DETAIL**



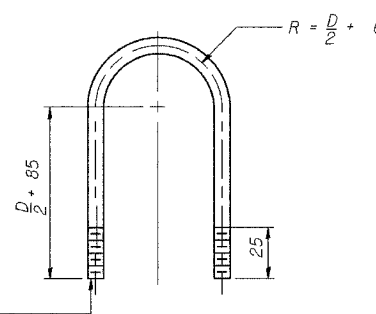
**ELEVATION**  
Steel Cantilever  
Sign Structure



**SECTION A-A**



**DAMPING DEVICE MOUNTING  
TUBE U-BOLT DETAIL**  
(Typical)



**TOP CHORD TO CROSS TUBE  
U-BOLT DETAIL**  
(Typical)

**GENERAL NOTES**

Damper: One damper per truss. (14 Kg Stockbridge-Type Steel)  
Cost included in "Overhead Sign Structure...".  
All dimensions are in millimeters (mm) except as noted.

M:\Pro\3573\Sign Structures\Contract 11\sp102-7Acan-stl.dgn

DESIGNED	RJW
CHECKED	KJN
DRAWN	RJW
CHECKED	KJN

2004  
EXAMINED  
ENGINEER OF STRUCTURAL SERVICES  
PASSED  
ENGINEER OF BRIDGES AND STRUCTURES

OSC-S-D(M) 10/1/2001

SIGNING SHEET 65 OF 74

**CANTILEVER SIGN STRUCTURES  
DAMPING DEVICE**

ILLINOIS DEPARTMENT OF TRANSPORTATION

SIGNING PLAN  
W.B. I-74 STA. 153+772, S.N. 4C0901074L095.6

TAZEWELL CO., IL.

DATE: 12-20-04