

STATE OF ILLINOIS  
DEPARTMENT OF TRANSPORTATION

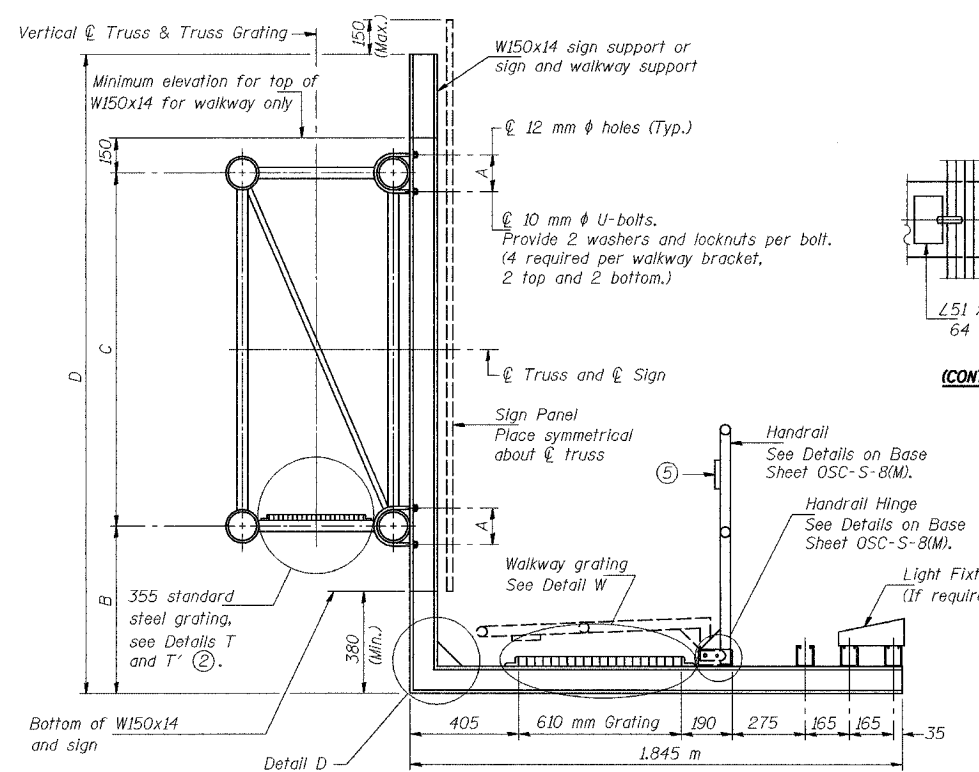
ROUTE No.	SECTION	COUNTY	TOTAL SHEETS	SHEET NO.
FAI 74	*	TAZEWELL	1366	1321
STA.		TO STA.		
F.H.W.A. REGION		ILLINOIS	PROJECT	

\* (90-111R-2; 90(13,14,14-1R-1

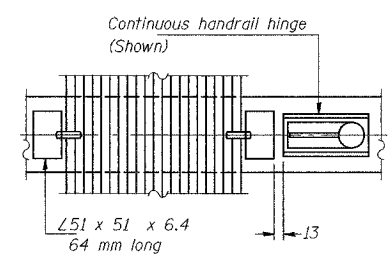
CONTRACT NO. 68201

**BARS SIZES FOR STANDARD STEEL GRATING**

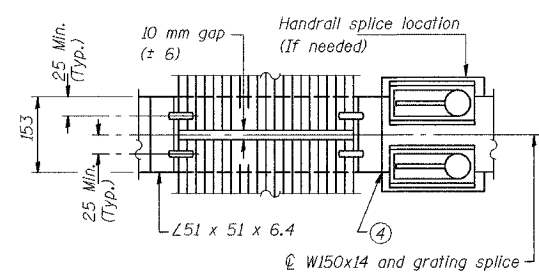
TRUSS GRATING Main bearing bars 5 mm x 38 mm on 30 mm centers.  
Cross bars 5 mm x 38 mm on 102 mm centers.  
WALKWAY GRATING Main bearing bars 5 mm x 38 mm on 30 mm centers.  
Cross bars 5 mm x 38 mm on 102 mm centers.



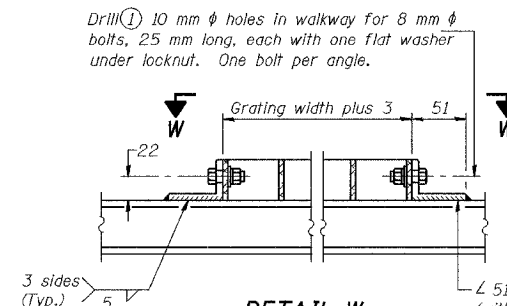
**SECTION B-B**



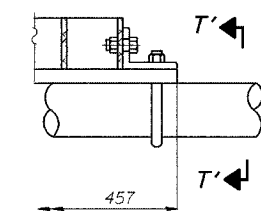
**(CONTINUOUS WALKWAY GRATING)**



**(AT WALKWAY GRATING SPLICE)**

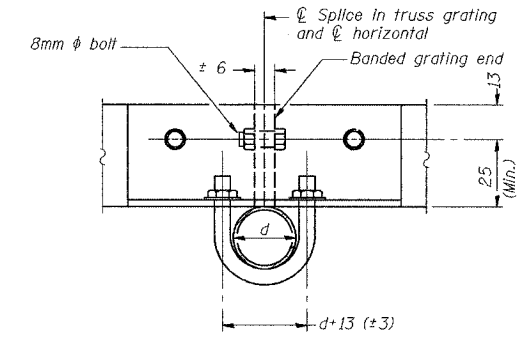


**DETAIL W**  
(Walkway grating)

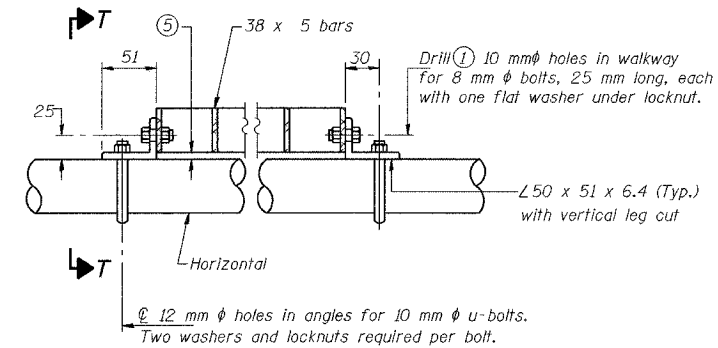


**DETAIL T'**

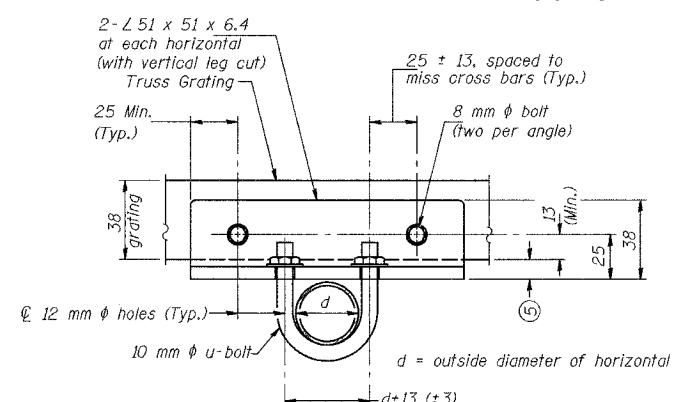
(Truss grating splice)  
Details not shown same as Detail T.  
Alternate materials may be used subject to the Engineer's review and approval.



**SECTION T'-T'**

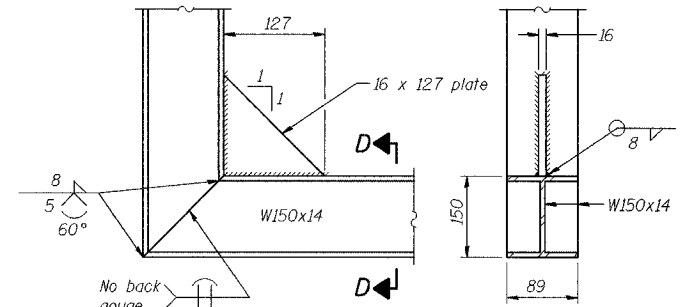


**DETAIL T**  
(Truss grating at horizontal)



**SECTION T-T**

**Walkway Grating, Walkway Supports, Handrail and Lighting are not included.**  
Information shown on this sheet shall be used for Truss Grating and Sign Supports only.



**DETAIL D**

**SECTION D-D**

(See Detail P, Base Sheet OSC-S-8(M).)

NUMBER	REVISION	DATE

- Drilling holes in grating may be done in shop or field, based on Contractor's preference and subject to accurate alignment.
- When truss grating must be spliced, use suggested detail or other methods subject to the Engineer's review and approval. Locate splice to avoid interference between cross bars and bolt locations.
- If Handrail Joint present, weld angle to W150x14 and 6 mm extension bars. (See Base Sheet OSC-A-8(M).)
- 3 mm x 13 mm x 50 mm welded to handrail posts to protect locations that contact grating.
- Tube to grating gap may vary from 0 to 13mm (Max.) to align walkway, allow for camber, etc.

DESIGNED	RJW	2004
CHECKED	KJN	EXAMINED
DRAWN	RJW	PASSED
CHECKED	KJN	

OSC-S-7(M) 10/17/2001

Structure Number	Station	A (m)	B (m)	C (m)	D (m)
4C0901074L095.6	153+772	0.178	1.065	1.680	3.660

SIGNING SHEET 70 OF 74

**CANTILEVER SIGN STRUCTURES  
WALKWAY DETAILS  
STEEL TRUSS & STEEL POST**

ILLINOIS DEPARTMENT OF TRANSPORTATION

SIGNING PLAN  
W.B. I-74 STA. 153+772, S.N. 4C0901074L095.6

TAZEWELL CO., IL. DATE: 12-20-04

M:\Proj\3573\Sign Structures\Contract 11\sp.1102-74con-sht.dgn