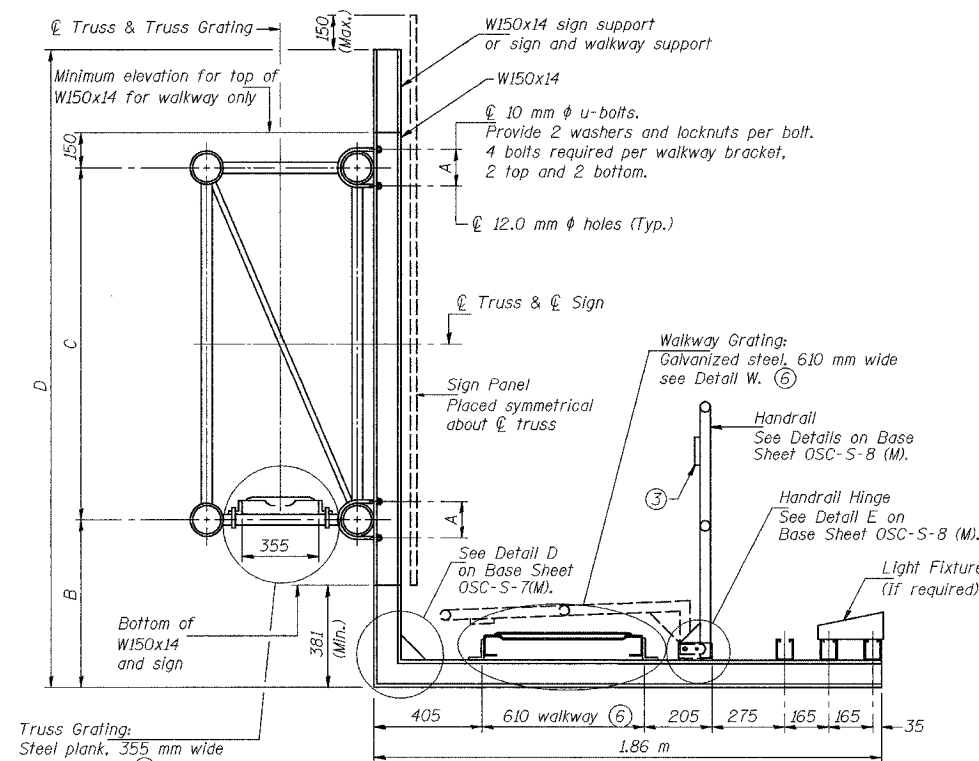


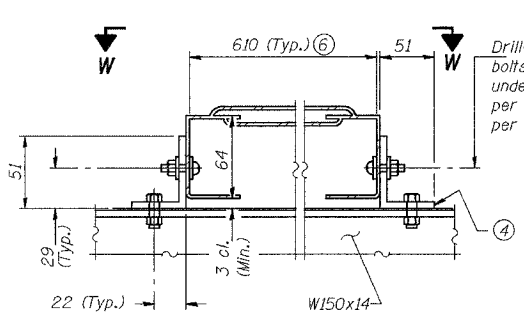
STATE OF ILLINOIS
DEPARTMENT OF TRANSPORTATION

ROUTE No.	SECTION	COUNTY	TOTAL SHEETS	SHEET NO.
FAI 74	#	TAZEWELL	1366	1322
STA.		TO STA.		
F.H.W.A. REGION		ILLINOIS	PROJECT	

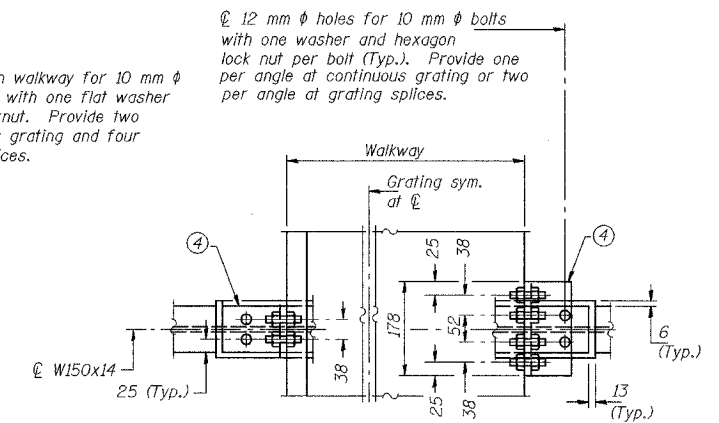
*(90-IDR-2;90(13,14,14-IDR-1)
CONTRACT NO. 68201



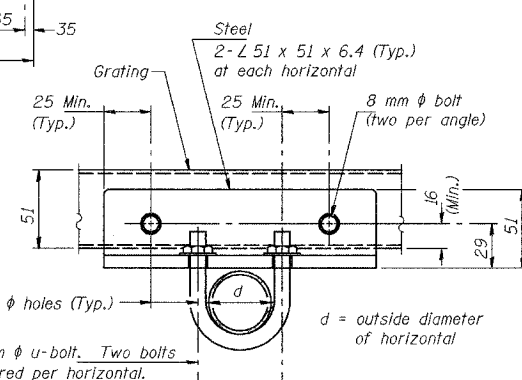
SECTION B-B



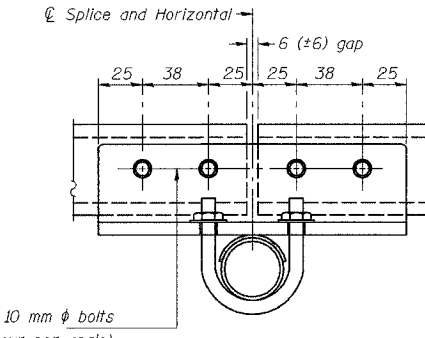
DETAIL W
GALVANIZED STEEL WALKWAY GRATING



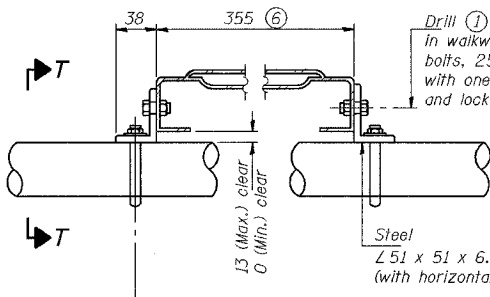
WALKWAY GRATING CONTINUOUS AT WALKWAY GRATING SPLICE
SECTION W-W



SECTION T-T
(Truss Grating Continuous)



SECTION T-T
(Truss Grating Splice)



DETAIL T
(Truss Grating at Horizontal)

Walkway Grating, Walkway Supports, Handrail and Lighting are not included. Information shown on this sheet shall be used for Truss Grating and Sign Supports only.

- Drilling holes in grating may be done in shop or field, based on Contractor's preference and subject to accurate alignment.
- When truss grating must be spliced, use suggested details or other methods in accord with grating manufacturer's recommendation and subject to the Engineer's review and approval.
- 3 mm x 13 mm x 50 mm welded to handrail posts to protect locations that contact grating.
- Galvanized steel L 51 x 51 x 6.4, 89 mm long with continuous grating 190 mm long at grating splice.
- Details shown are considered equal alternatives to Standard Steel Walkway Details and may be substituted by Contractor at no charge in contract cost.
- Perforated or expanded metal grating providing a skid resistant (non-serrated) surface and capable of supporting a 2.22 kN concentrated load with a 1.83 m clear span. Walkway and truss grating dimensions are nominal and may vary (width ± 13 mm, depth ± 13 mm) based on available standard sizes. Cut ends of grating shall be free of burrs or hazardous projections and coated with zinc-rich primer or equivalent.

STEEL TRUSS GRATING

Structure Number	Station	A (m)	B (m)	C (m)	D (m)
4C0901074L095.6	153+772	0.178	1.065	1.680	3.660

DESIGNED	RJW	2084
CHECKED	KJN	EXAMINED
DRAWN	RJW	PASSED
CHECKED	KJN	ENGINEER OF BRIDGES AND STRUCTURES

NUMBER	REVISION	DATE

OSC-S-7S(M) 10/1/2001

SIGNING SHEET 71 OF 74

**CANTILEVER SIGN STRUCTURES
ALTERNATE WALKWAY DETAILS**

ILLINOIS DEPARTMENT OF TRANSPORTATION

SIGNING PLAN
W.B. I-74 STA. 153+772, S.N. 4C0901074L095.6

TAZEWELL CO., IL. DATE: 12-20-04

M:/Proj/3573/Sign Structures/Contract 11/sp102-TAcen-stl.dgn