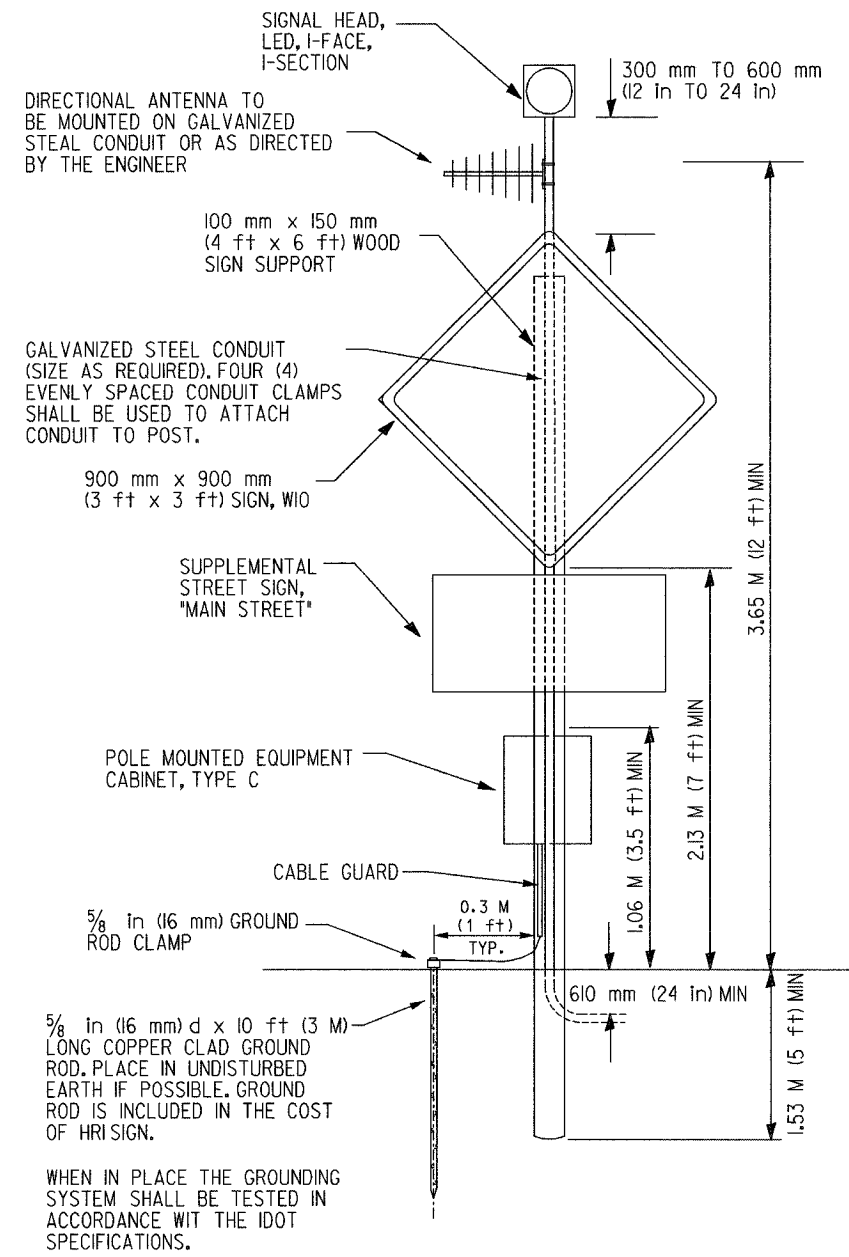
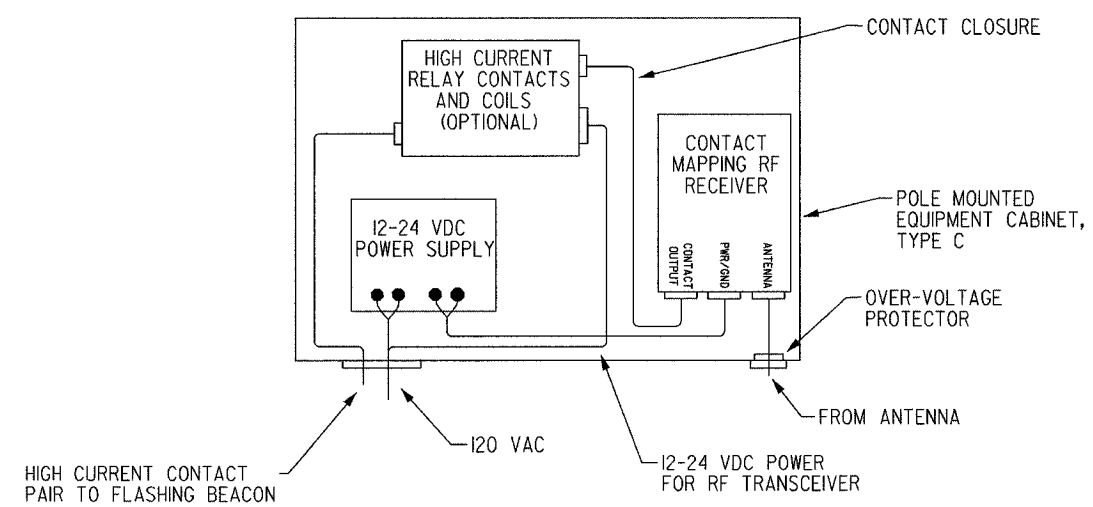
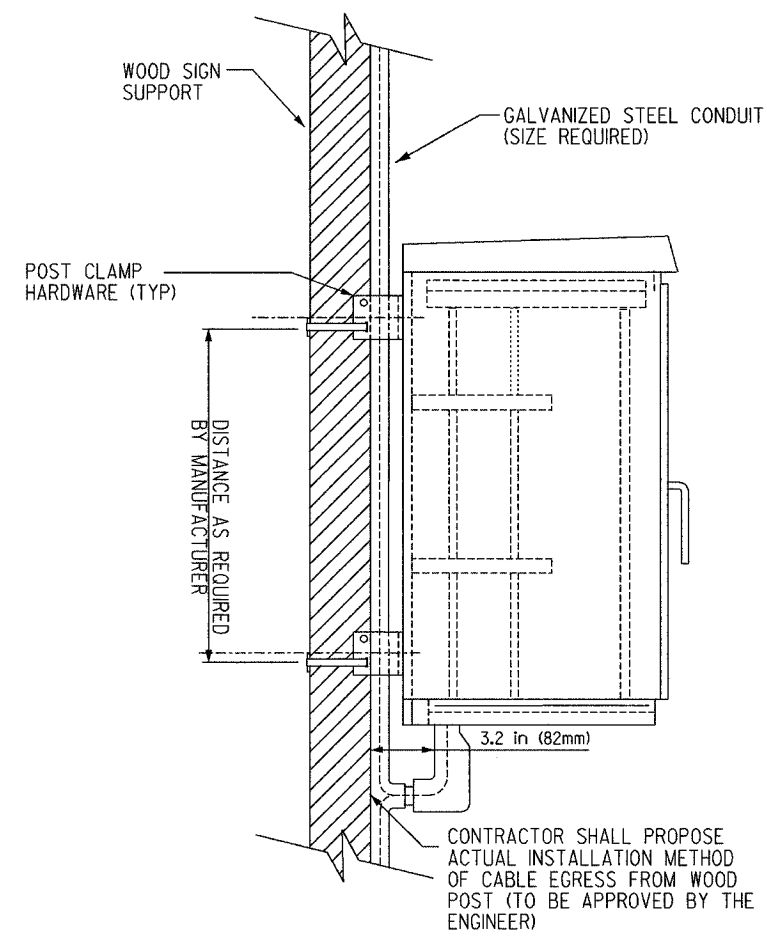
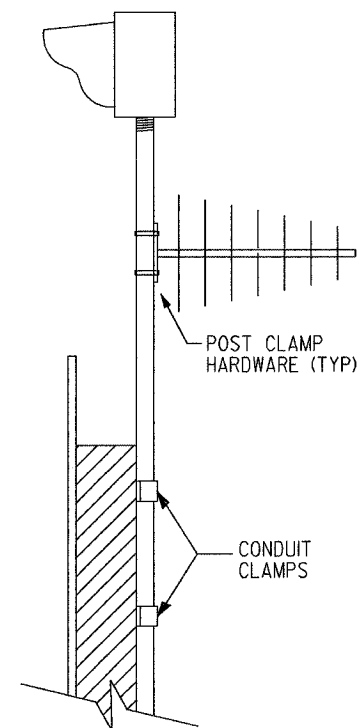


F.A.I. RTE.	SECTION	COUNTY	TOTAL SHEETS	SHEET NO.
74	(90-11R-290 13,14,14-1R-1)	TAZEWELL	1366	1336
STA.	TO STA.			
FED. ROAD DIST. NO.	ILLINOIS FED. AID PROJECT			
68201				



MOUNTING DETAIL

NOTES:
 1. ALL ITEMS (EXCEPT POLE MOUNTED EQUIPMENT CABINET, TYPE C AND CONDUIT) TO BE STATE-FURNISHED.
 ALL ITEMS SHOWN TO BE INSTALLED UNDER THIS CONTRACT.



HRI SIGN SCHEMATIC DETAIL

TYPE C CABINET OR AS SPECIFIED

REVISIONS	
NAME	DATE

ILLINOIS DEPARTMENT OF TRANSPORTATION
ITS PLAN

HIGHWAY-RAIL INFORMATION
SIGN INSTALLATION DETAIL

SCALE
DATE 12/20/04
DRAWN BY DHI
CHECKED BY JEZ

